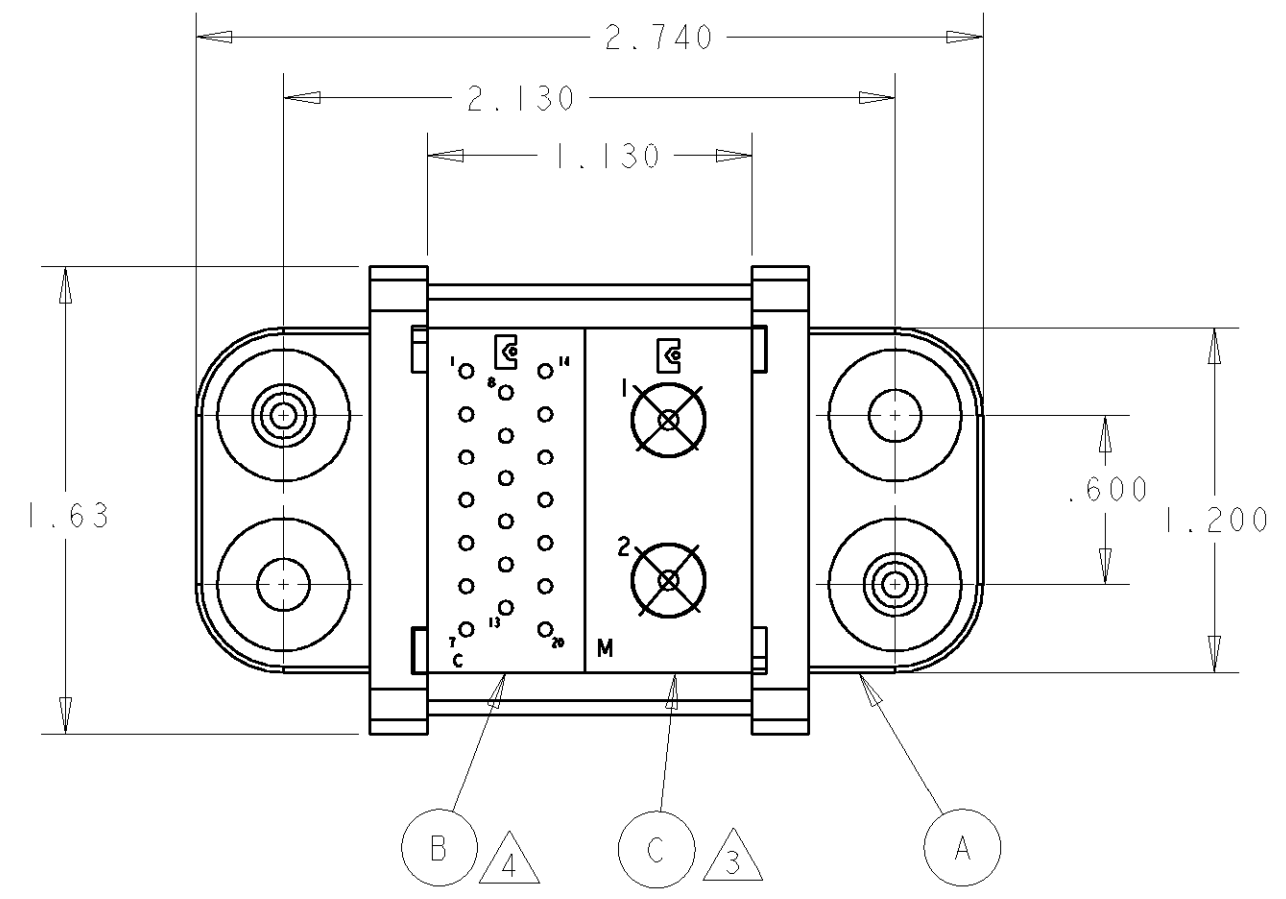


THIS DRAWING IS UNPUBLISHED. RELEASED FOR PUBLICATION 20
 © COPYRIGHT 20 BY TYCO ELECTRONICS CORPORATION. ALL RIGHTS RESERVED.

LOC	DIST	REVISIONS			
P	LTR	DESCRIPTION	DATE	DWN	APVD
GP	00	A	NEW RELEASE	13NOV2007	RG DO



1. PART NUMBER CHANGES AND/OR DESIGN CHANGES AFFECTING ITEM INTERCHANGEABILITY REQUIRE TYCO ELECTRONICS APPROVAL AND AUTHORIZATION BY REVISION TO THIS DRAWING.

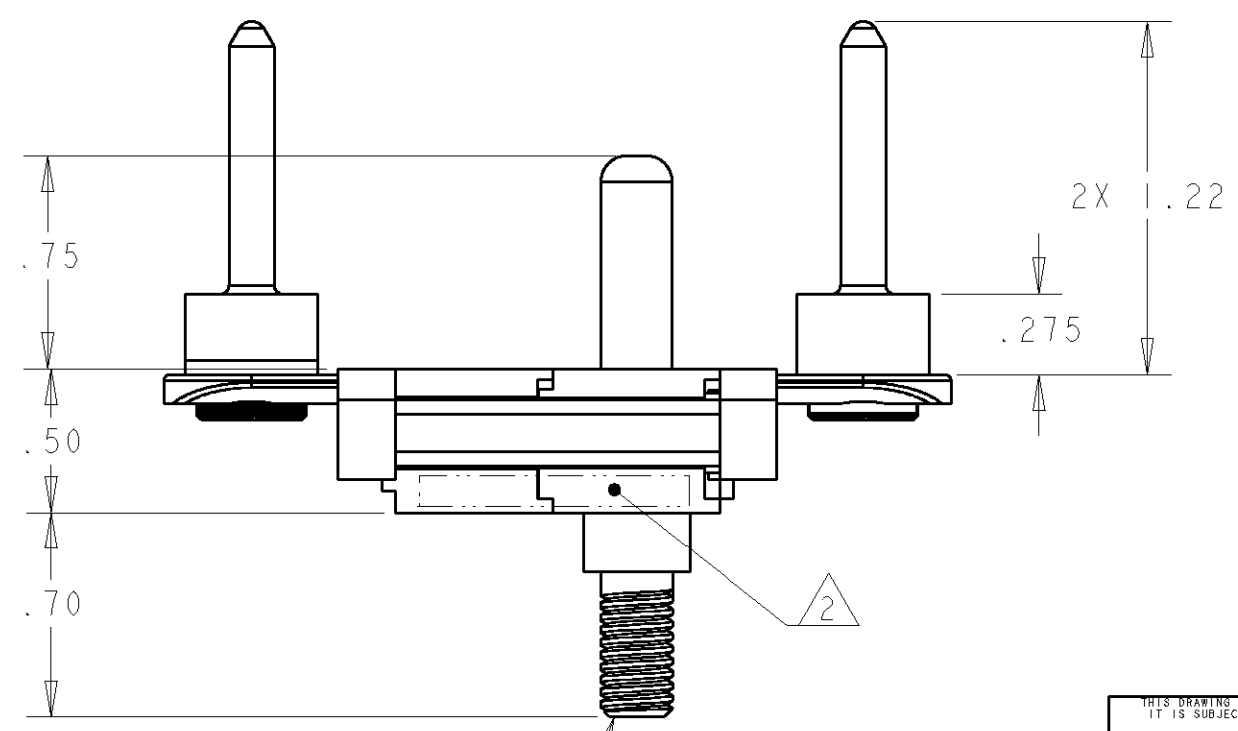
2. ITEMS PROVIDED TO THIS SPECIFICATION TO BE PERMANENTLY IDENTIFIED PER THE FOLLOWING IDENTIFIER:

YEAR 1 WEEK 1
 TYCO ELECTRONICS P/N DATE CODE (e.g. 0225)
 XXXXXXXX-X XXXX

3. MODULE M PIN INSTALLED.
 X DONATES CONTACT POSITION LOADED.

4. MODULE NOTED ARE FOR CRIMP STYLE REMOVABLE CONTACTS. THEY WILL BE PURCHASED SEPARATELY.
 REF PIN CONTACT: SIZE 20, POSTMATE P/N 1650162-2
 REF PIN CONTACT: SIZE 20, STANDARD P/N 1650155-1

5. MOUNTING FLANGE BUSHING ACCEPTS 6/32 SCREW (Ø.156 CLEARANCE HOLE, FLOAT MOUNT) OR 8/32 SCREW (Ø.173, CLEARANCE HOLE, FIXED MOUNT) USER SUPPLIED.



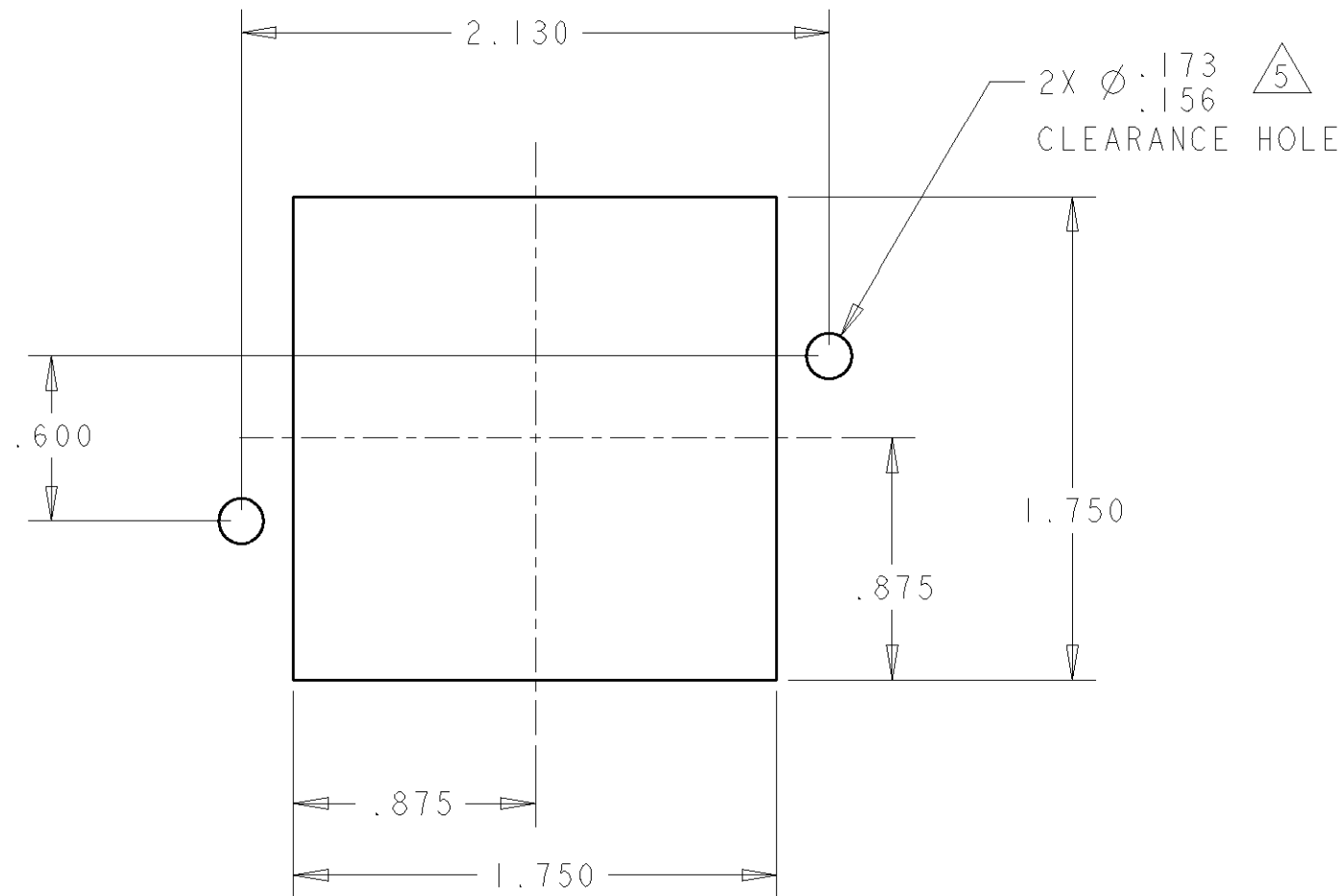
2X 1/4-20 UNC THD

QTY	PART NO.	DESCRIPTION	ITEM
1	6648499-1	MODULE "M"	C
1	1648463-1	MODULE "C"	B
2	6648259-1	END CAP, FIXED MOUNT, GUIDE PIN	A
-1	PART NO.	DESCRIPTION	ITEM

<small>THIS DRAWING IS A CONTROLLED DOCUMENT FOR TYCO ELECTRONICS CORPORATION IT IS SUBJECT TO CHANGE AND THE CONTROLLING ENGINEERING ORGANIZATION SHOULD BE CONTACTED FOR THE LATEST REVISION.</small>		DWN 13NOV2007 R.GRZYBOWSKI CHR 13NOV2007 D.ORRIS APVD 13NOV2007 S.FLICKINGER	Tyco Electronics Tyco Electronics Harrisburg, PA 17105-3608
DIMENSIONS: INCHES 	TOLERANCES UNLESS OTHERWISE SPECIFIED: 0 PLC ±- 1 PLC ±- 2 PLC ±.02 3 PLC ±.010 4 PLC ±- ANGLES ±-	PRODUCT SPEC - APPLICATION SPEC - WEIGHT -	NAME PIN CONNECTOR DOMINO W/ PANEL CUT-OUT
MATERIAL -	FINISH -	SIZE A3	CAGE CODE 00779
CUSTOMER DRAWING		DRAWING NO C-6646004	RESTRICTED TO -
		SCALE 2:1	SHEET 1 OF 2 REV A

THIS DRAWING IS UNPUBLISHED. RELEASED FOR PUBLICATION 20
 © COPYRIGHT 20 BY TYCO ELECTRONICS CORPORATION. ALL RIGHTS RESERVED.

LOC	DIST	REVISIONS			
P	LTR	DESCRIPTION	DATE	DWN	APVD
GP	00	-	SEE SHEET 1	-	-



PANEL MOUNT CUT-OUT

<small>THIS DRAWING IS A CONTROLLED DOCUMENT FOR TYCO ELECTRONICS CORPORATION IT IS SUBJECT TO CHANGE AND THE CONTROLLING ENGINEERING ORGANIZATION SHOULD BE CONTACTED FOR THE LATEST REVISION.</small>		DWN R. GRZYBOWSKI 13NOV2007 CHR D. ORRIS 13NOV2007 APVD S. FLICKINGER 13NOV2007	Tyco Electronics Harrisburg, PA 17105-3608
DIMENSIONS: INCHES 	TOLERANCES UNLESS OTHERWISE SPECIFIED: 0 PLC ±- 1 PLC ±- 2 PLC ±.02 3 PLC ±.010 4 PLC ±- ANGLES ±-	PRODUCT SPEC - APPLICATION SPEC - WEIGHT -	NAME PIN CONNECTOR DOMINO W/ PANEL CUT-OUT
MATERIAL -	FINISH -	CUSTOMER DRAWING	SIZE A3 CAGE CODE 00779 DRAWING NO C-6646004 RESTRICTED TO -
		SCALE 2:1	SHEET 2 OF 2 REV A