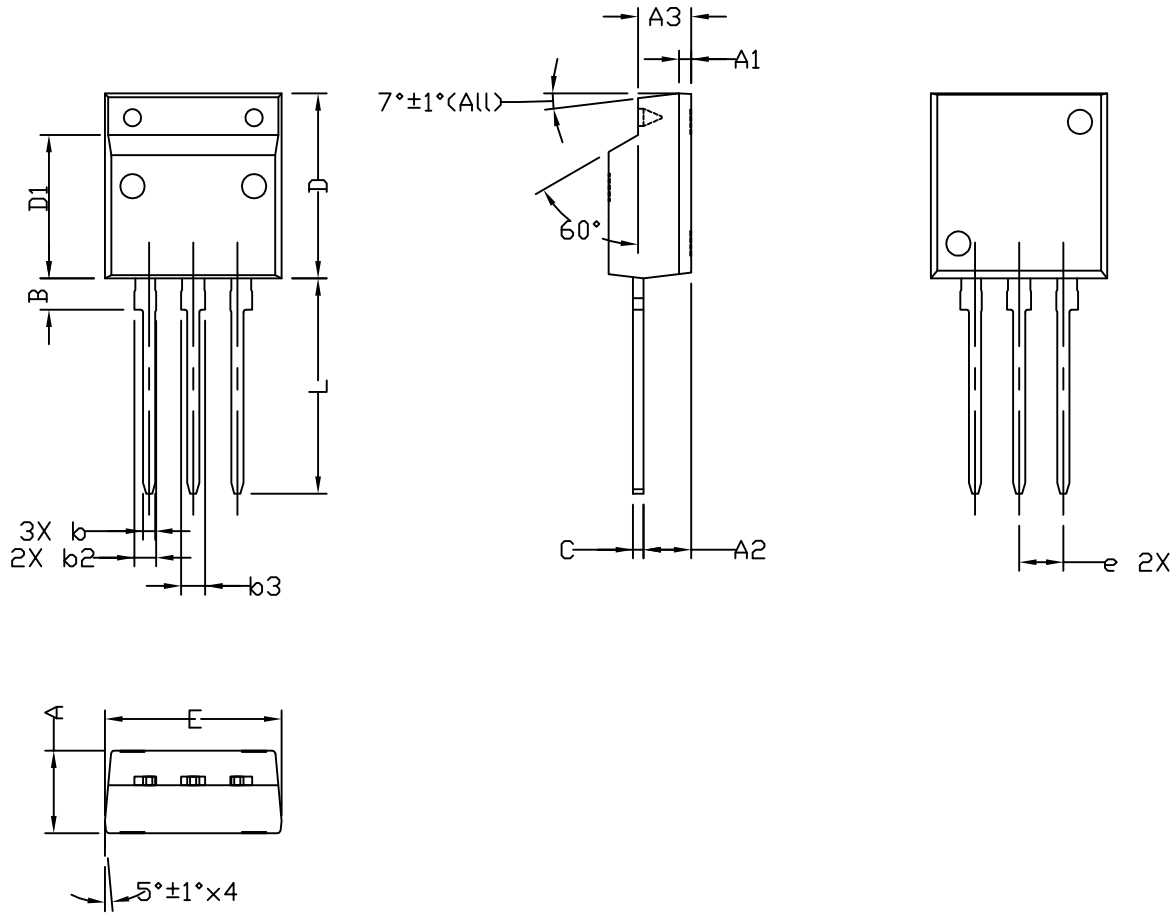
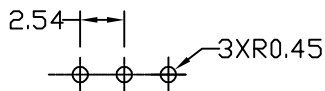




TO262F PACKAGE OUTLINE



RECOMMENDED LAND PATTERN



| SYMBOL | DIMENSIONAL REQMTS | | | INCHES REQMTS | | |
|--------|--------------------|-------|-------|---------------|-------|-------|
| | MIN | NOM | MAX | MIN | NOM | MAX |
| A | 4.66 | 4.76 | 4.86 | 0.183 | 0.187 | 0.191 |
| A1 | 0.65 | 0.70 | 0.75 | 0.026 | 0.028 | 0.030 |
| A2 | 2.61 | 2.76 | 2.91 | 0.103 | 0.109 | 0.115 |
| A3 | 2.91 | 3.06 | 3.21 | 0.115 | 0.120 | 0.126 |
| B | 1.65 | 1.80 | 2.00 | 0.065 | 0.071 | 0.079 |
| b | 0.59 | 0.69 | 0.79 | 0.023 | 0.027 | 0.031 |
| b2 | 1.14 | 1.25 | 1.29 | 0.045 | 0.049 | 0.051 |
| b3 | 1.28 | 1.38 | 1.43 | 0.050 | 0.054 | 0.056 |
| c | 0.55 | 0.60 | 0.70 | 0.022 | 0.024 | 0.028 |
| D | 10.45 | 10.65 | 10.85 | 0.411 | 0.419 | 0.427 |
| D1 | 8.05 | 8.25 | 8.45 | 0.317 | 0.325 | 0.333 |
| E | 9.70 | 10.15 | 10.54 | 0.382 | 0.400 | 0.415 |
| e | 2.54 BSC | | | 0.100 BSC | | |
| L | 12.27 | 12.40 | 13.48 | 0.483 | 0.488 | 0.531 |

NOTE

1. CONTROLLING DIMENSION IS MILLIMETER.
CONVERTED INCH DIMENSIONS ARE NOT NECESSARILY EXACT.