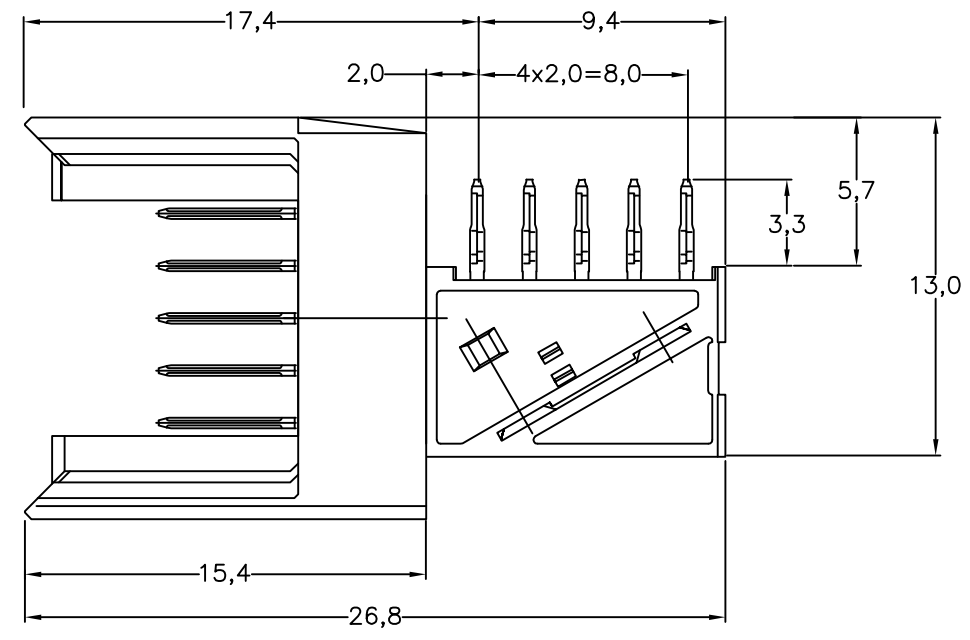
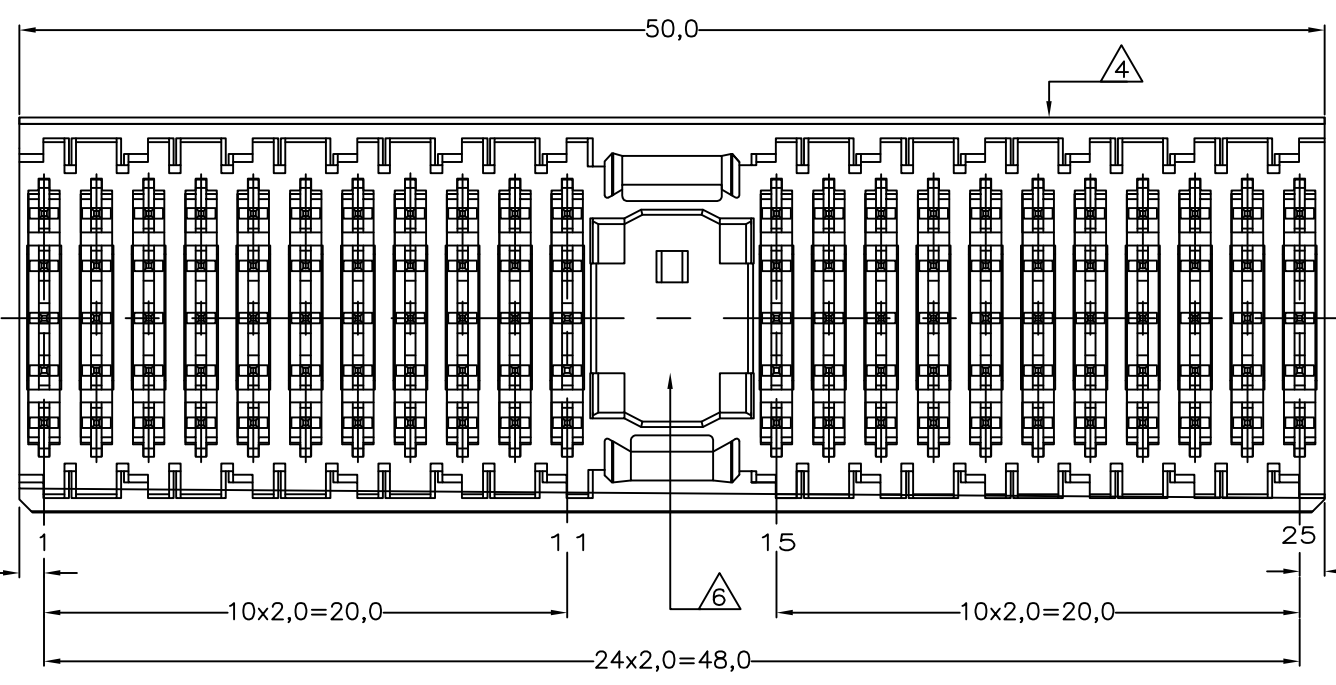
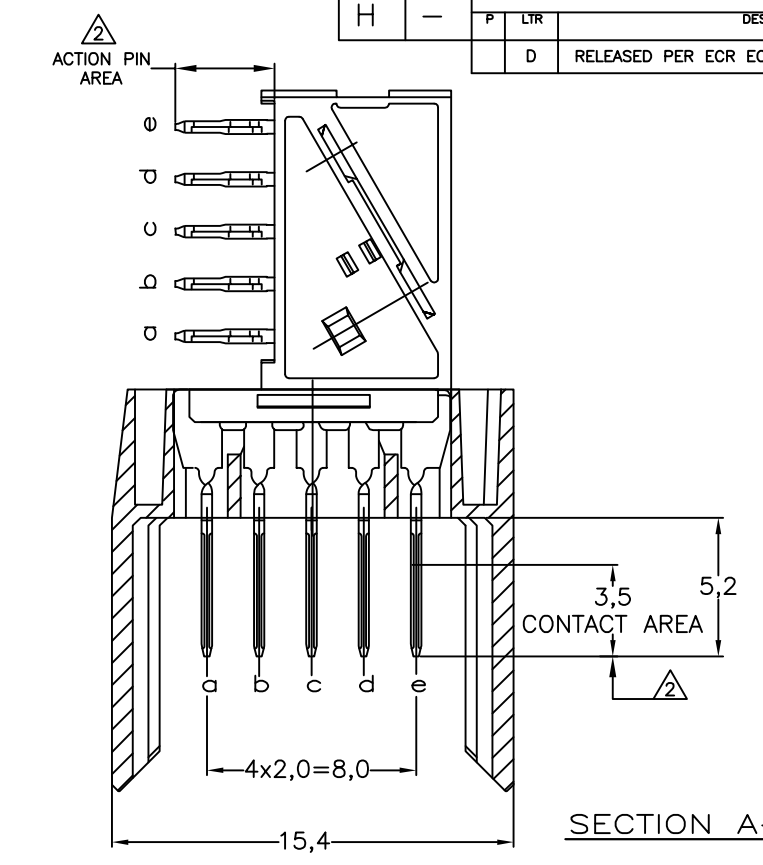
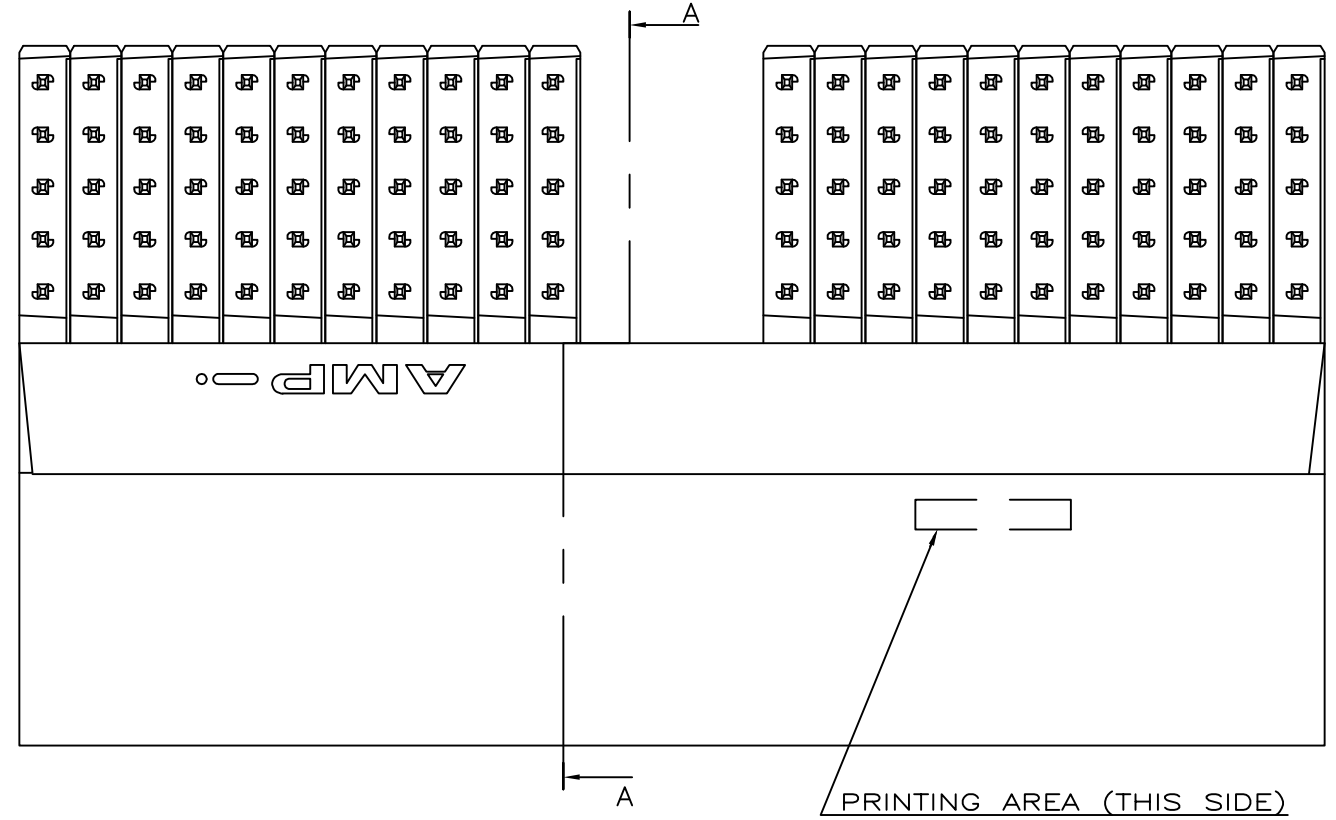


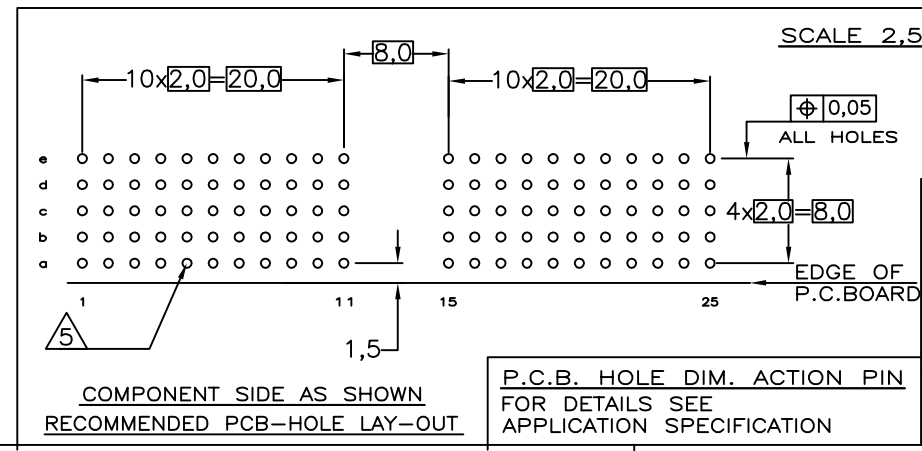
THIS DRAWING IS UNPUBLISHED.  
 RELEASED FOR PUBLICATION  
 © COPYRIGHT - By - ALL RIGHTS RESERVED.

LOC		DIST		REVISIONS			
P	LTR	DESCRIPTION	DATE	DWN	APVD		
D		RELEASED PER ECR ECR-11-013217	21JUL11	RC	CW		



NOTES:

- △ MATERIAL CONTACT; PHOSPHORBRONZE
- △ MATERIAL HOUSING; GLASSFILLED POLYESTER, UL94-V0 (GRAY)
- △ GENERAL PLATING SPECIFICATION: UNDERPLATING (ENTIRE CONTACT): 1,27μm NICKEL MIN. AND ACTION PIN: 0,5μm TIN-LEAD MIN. FOR PLATING OF MATING SURFACES SEE APPLICABLE SPECIFICATION REFERENCE FOR EACH DASH NUMBER.
- △ CONFORMS TO ALL TESTING ACCORDING IEC 61076-4-101 PERFORMANCE LEVEL 2.
- △ CONNECTOR PRINTED WITH PARTNUMBER AND DATECODE
- △ PLATED-THROUGH HOLES AT 2x2mm SQUARE GRID. 110 HOLES.
- △ AREA RESERVED FOR KEYING PART (BASIC P.N. 100525)



THIS DRAWING IS A CONTROLLED DOCUMENT.

DIMENSIONS: mm	TOLERANCES UNLESS OTHERWISE SPECIFIED:	DWN E. DERKS 16AUG95	FINISH	MATERIAL	188749-1 PARTNUMBER
0-PLC ± 1-PLC ± 2-PLC ± ±0.2 3-PLC ± 4-PLC ± ANGLES FINISH		CHK F.v.KONINGSBRUGGE 24AUG95		TE Connectivity	
MATERIAL		APVD	NAME	Z-PACK 2MM HM TYPE A 110 POS. MALE EXTENDER CARD CONN. WITH REVERSED FRONT HOUSING	
		PRODUCT SPEC	APPLICATION SPEC	SIZE A2	CAGE CODE 00779
		114-19029	WEIGHT	DRAWING NO C-188749	RESTRICTED TO
		CUSTOMER DRAWING		SCALE NTS	SHEET 1 OF 1
				REV D	