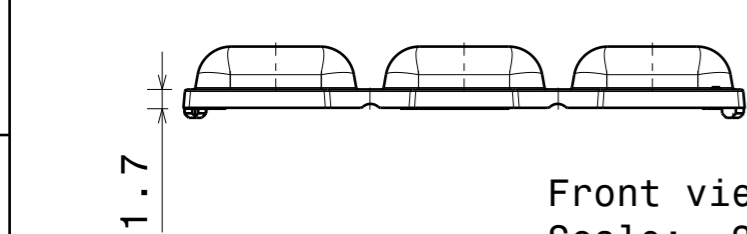
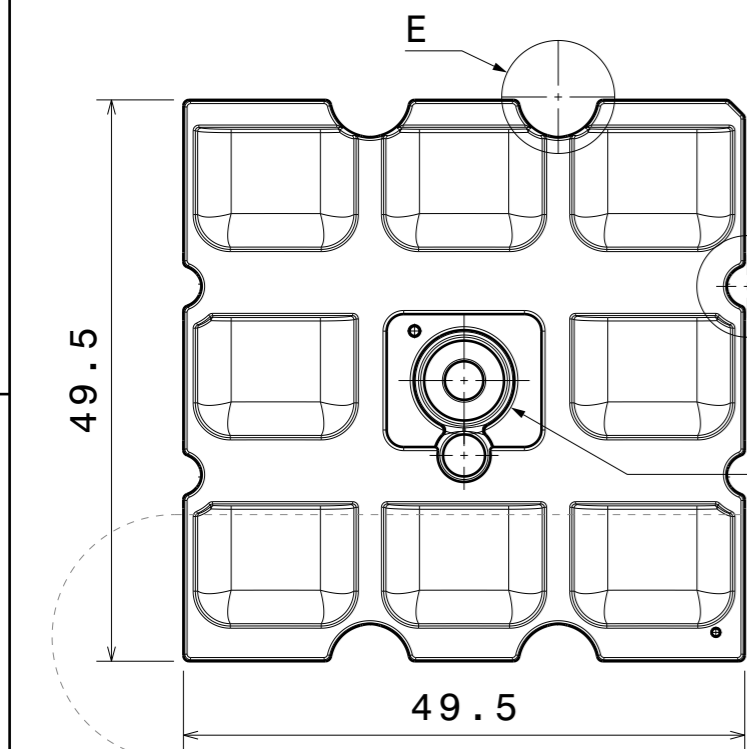


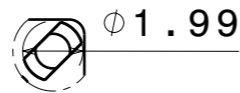
Bottom view
Scale: 3:2



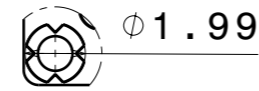
Front view
Scale: 3:2



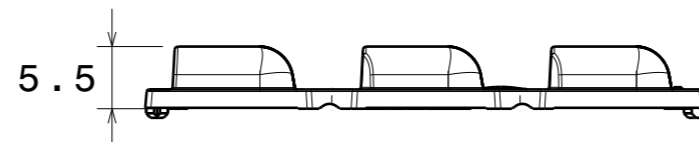
Top view
Scale: 3:2



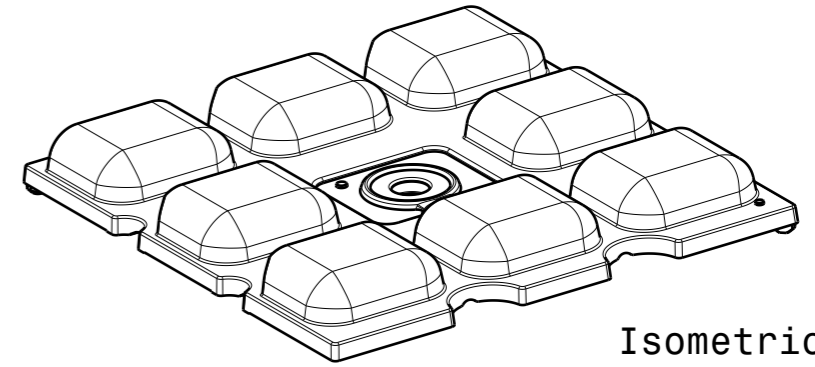
Detail B
Scale: 4:1



Detail A
Scale: 4:1

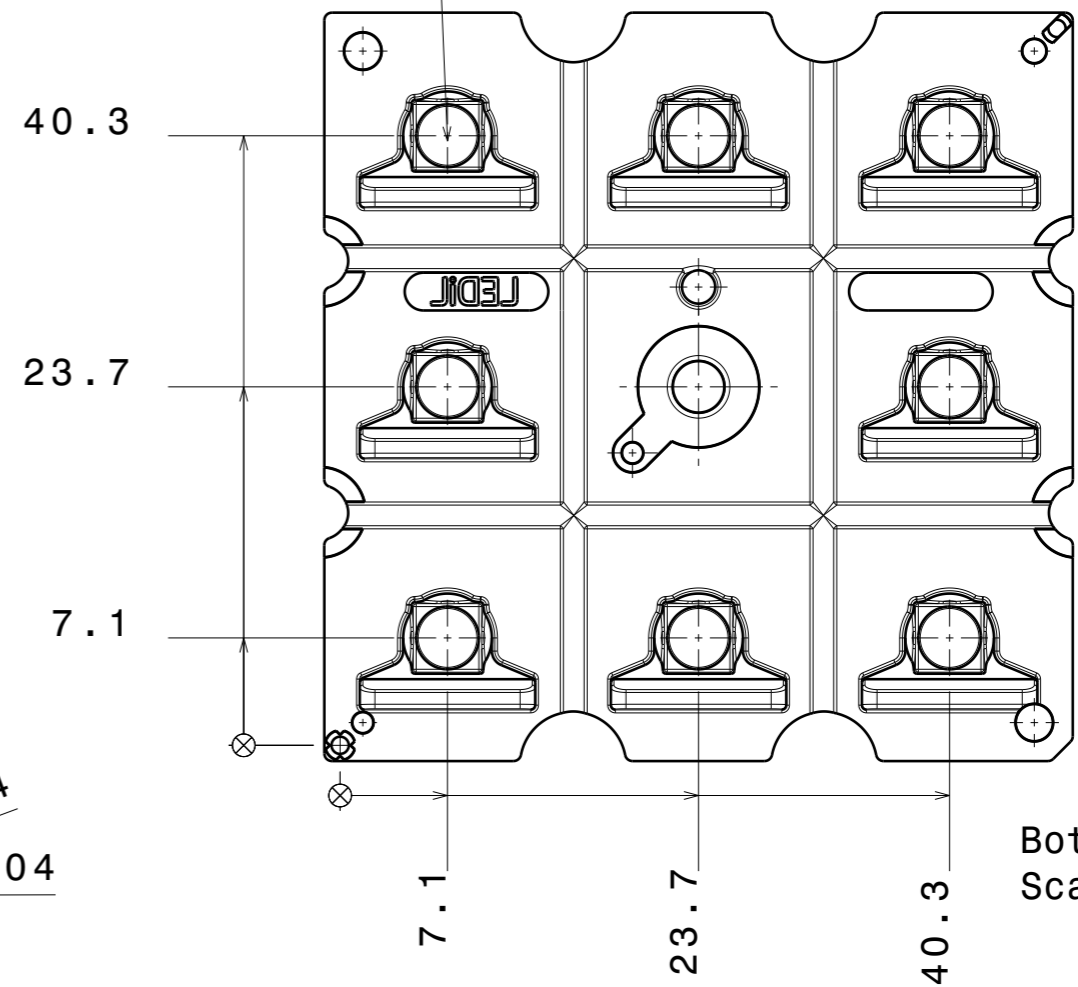


Left view
Scale: 3:2

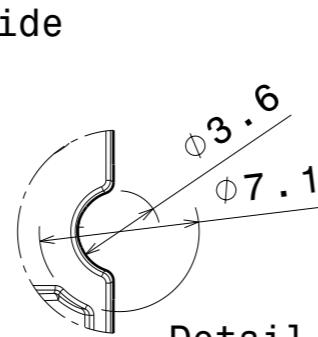


Isometric view
Scale: 3:2

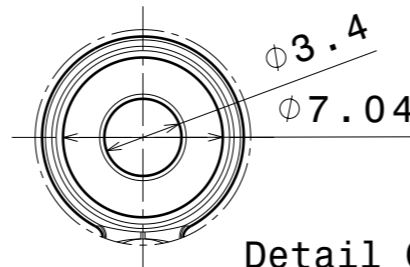
LED center



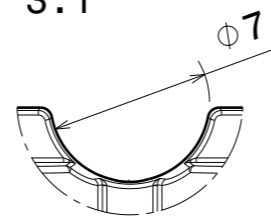
Bottom view
Scale: 2:1



Detail D
Scale: 3:1



Detail C
Scale: 3:1



Detail E
Scale: 3:1

PART NO	MATERIAL
C16226_STRADELLA-8-HV-ME	PMMA

Tolerances if not otherwise shown
According to DIN ISO 2768-1
Linear measures:
Up to 30mm class F_M, otherwise see class M.
According to DIN ISO 2768-2
Form and position: class K
Control for SPC marked dimensions.

LEDiL LediL Oy
Salorankatu 10
FIN 24240 SALO
Finland

FIRST ANGLE PROJECTION:

DRAWING TITLE
STRADELLA-8-HV-ME mechanical drawing

This drawing is the property of LEDiL Oy. It may not be reproduced, copied or communicated without a written agreement with LEDiL Oy.

SIZE	PART NUMBER
A3	C16226

SCALE	3:2	WEIGHT	7,26 g	SHEET	1/1
-------	-----	--------	--------	-------	-----