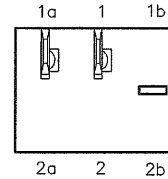
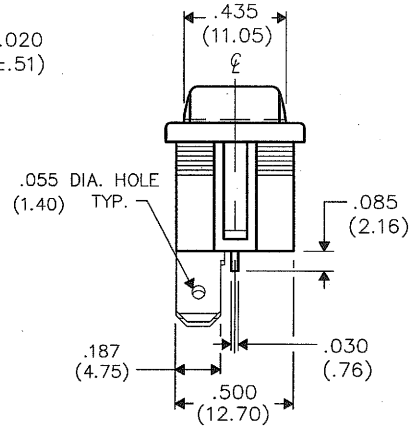
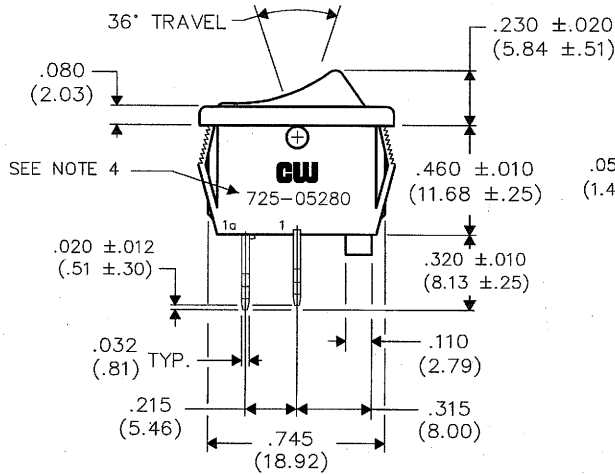


PANEL PIERCING



**BOTTOM VIEW
(RELOCATED)**



NOTES:

1. TERMINAL/MOVING CONTACT MATERIAL - CU ALLOY (MICROFINISHED)
2. HOUSING MATERIAL - NYLON 6/6
COLOR - BLACK
3. BUTTON MATERIAL - NYLON 6/6 15% GF
COLOR - CRAFTSMAN RED RD4E065
4. CUSTOMER PART NUMBER LOCATION AS SHOWN ON DRAWING

UL/CSA ELECTRICAL RATING:

- 13A. 125V.A.C. 10A. 250V.A.C.
1/2 H.P. 125-250V.A.C. 5A. 14V L

1 2 3 4 5 6 7 8 9 10

| | |
|---------------|--|
| B-FORMAT 2002 | REVISIONS |
| | 0 |
| | NEW RELEASE EJP 09-21-2010 SEP 21 2010 |

ATTENTION

THIS DRAWING AND ITS ATTACHMENTS, IF ANY, ARE PROPRIETARY TO CW INDUSTRIES AND DESCRIBE DESIGNS THAT ARE CONFIDENTIAL AND MUST NOT BE DISCLOSED UNLESS AUTHORIZED, IN WRITING, BY AN OFFICER OF CW INDUSTRIES.....

| | |
|--|---------------------|
| CW INDUSTRIES Southampton, Pa. 18966 | |
| TOLERANCES UNLESS OTHERWISE SPECIFIED | |
| 2 Place Decimal ±.010 | METRIC |
| 3 Place Decimal ±.005 | 1 Place Dec. ±.25mm |
| Angles ±1' | 2 Place Dec. ±.13mm |
| Made for: CW IND. | |
| Drawn by: EJP 09-21-2010 | |
| Checked by: G. Gold 9-21-10 | |
| Approval: <i>Grand & Kelly 9/21/10</i> | |

| |
|--|
| Title: MINI SWITCH SNAP - IN S.P.- S.T. MOMENTARY |
| Division: SWITCH |
| Dwg. No. GRS-4011B-0037 |

MASTER