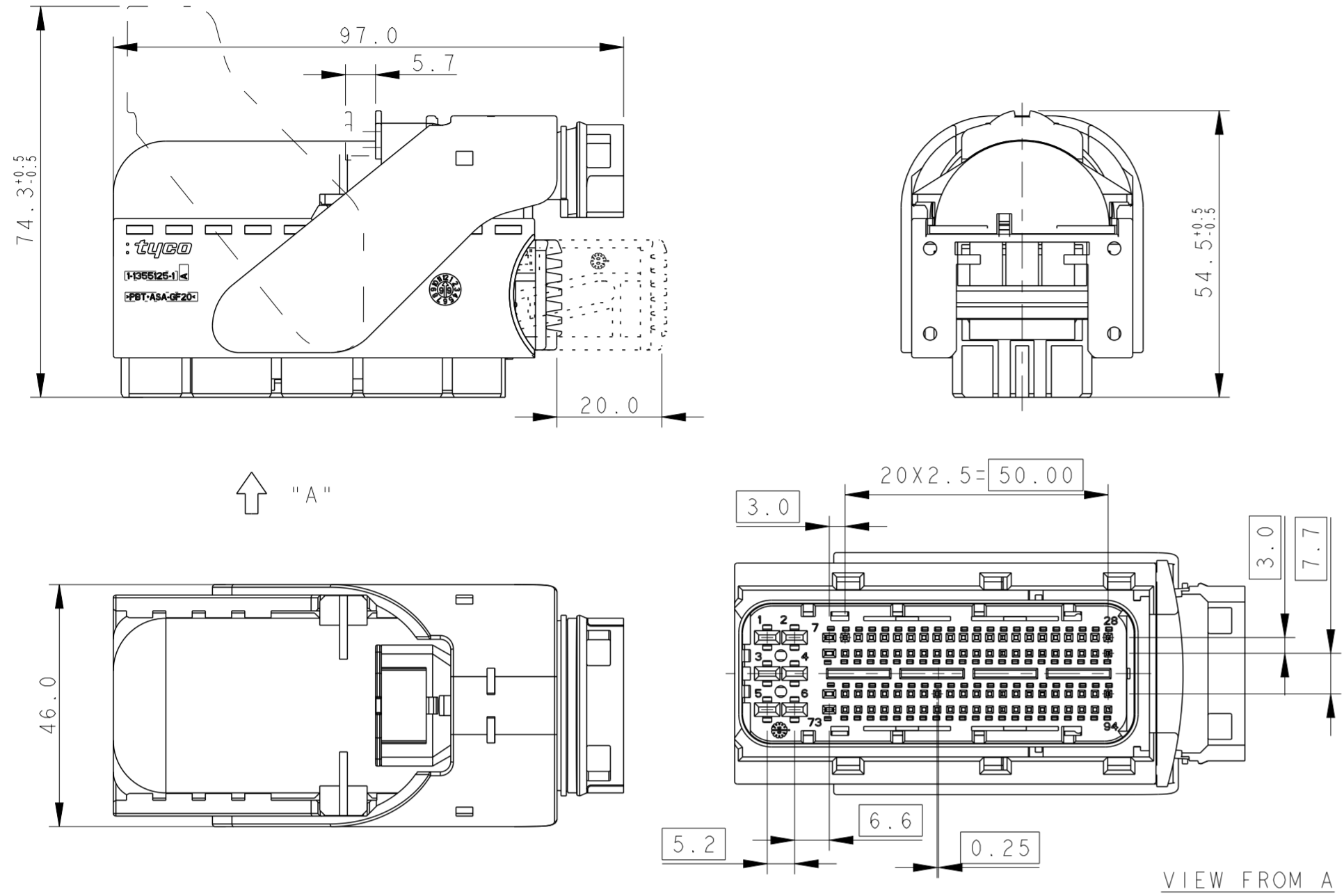
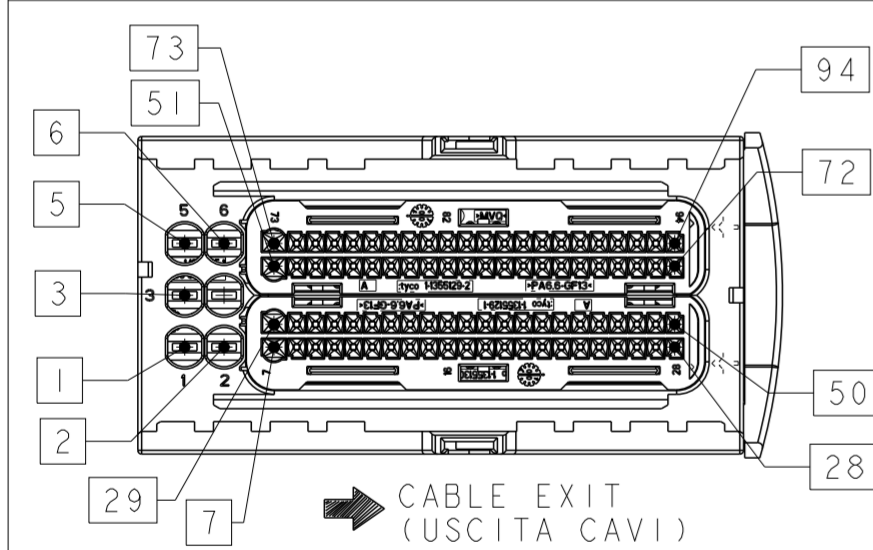


THIS DRAWING IS UNPUBLISHED. QUESTO DISEGNO NON DEVE ESSERE DIVULGATO O RIPRODOTTO. RELEASED FOR PUBLICATION E' CONSENTITA LA DIVULGAZIONE. 2002 ALL RIGHTS RESERVED. INTERNAZIONALE TUTTI I DIRITTI RISERVATI.

CONNECTOR OVERALL DIMENSIONS WITH COVER KIT AND LEVER ASSEMBLED (DIMENSIONI DI INGOMBRO CONNETTORE CON KIT COPERCHIO E LEVA MONTATI)



VISTA LATO INSERIMENTO CONTATTI (CONTACT INSERT SIDE VIEW)



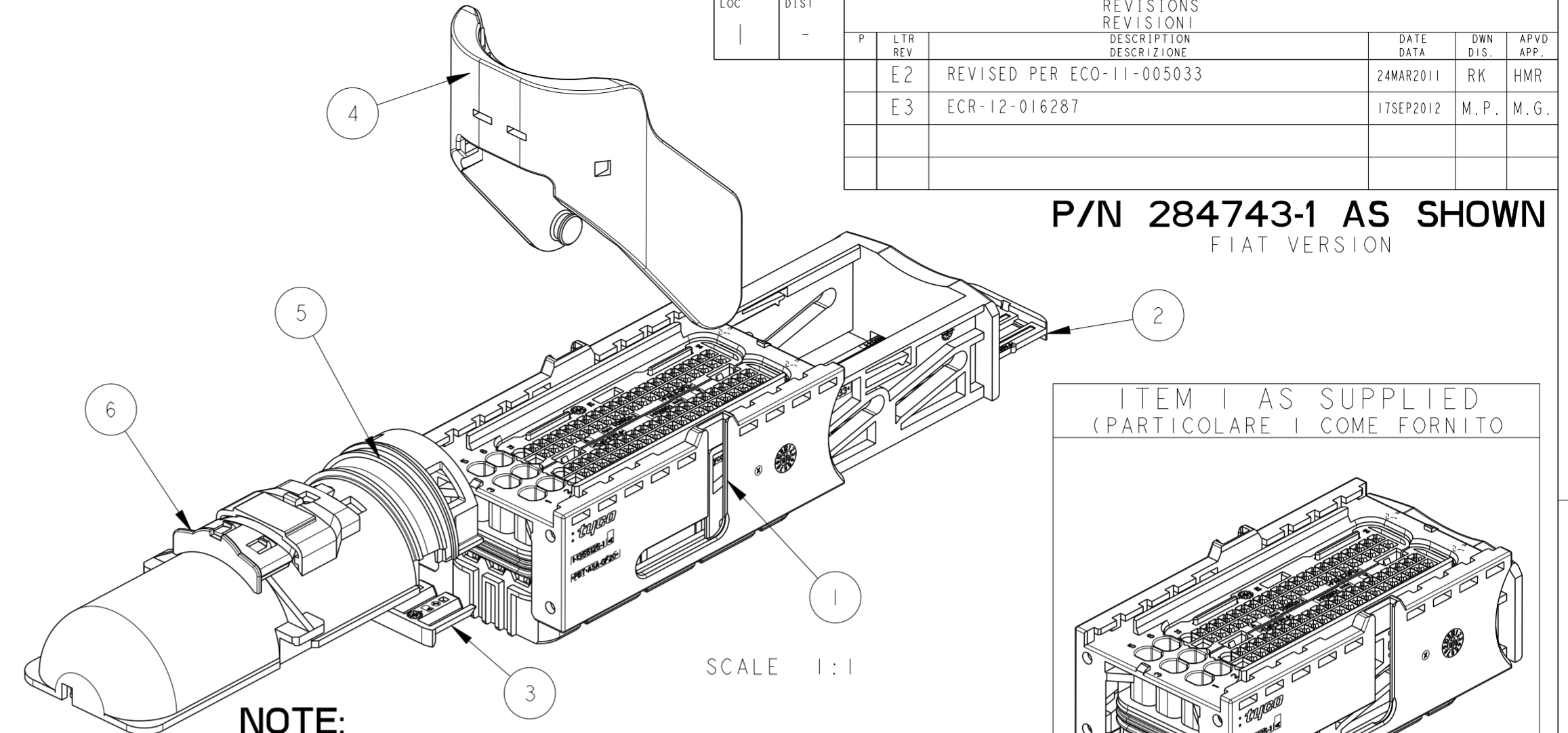
CAVITIES POSITION (POSIZIONE IN CAVITA')

CONTACT P/N (P/N CONTATTO)	POSITION (POSIZIONE)
968220-1 & 968221-1	8 to 28; 30 to 50; 52 to 72; 74 to 94
1452158-1 & 1241608-1	7, 29, 51, 73
1241394-1 & 1241396-1	1 to 6

QTY.	QTY.	RAW MATERIALS Materiali	COLOURS Colori	DESCRIPTION Descrizione	ITEM Pos.
-	1	PA6.6 GF30	YELLOW	C.P.A. Disp. controllo aggancio leva	6
1	1	PA6.6 GF13	BLACK	COVER / Coperchio	5
1	1	PA6.6 GF30	BLACK	LEVER / leva	4
1	1	PA6.6 GF30	VIOLET	SECONDARY LOCK 6 POSN. Disp. Ritenz. secondaria, 6 pos.	3
1	1	PA6.6 GF30	VIOLET	SECONDARY LOCK 88 POSN. Disp. Ritenz. secondaria, 88 pos.	2
1	1	PA6.6 GF30/PBT+ASA-GF20 PA6.6 GF13 + GF33 SILICON	BLACK/LIGHT BROWN: HOUSING YELLOW: PERIPHERAL SEAL RED-BROWN: FAMILY SEAL	CARRIER HSG. / Corpo connettore	1
284743-2 (NOTE 6)	284743-1 (NOTE 5)	PART-NO. Codice			
E	E	REV			

LOC	DIST	P	LTR REV	REVISIONS REVISIONI DESCRIPTION DESCRIZIONE	DATE DATA	DWN D.S.	APVD APP.
				E2 REVISED PER ECO-11-005033	24MAR2011	RK	HMR
				E3 ECR-12-016287	17SEP2012	M.P.	M.G.

P/N 284743-1 AS SHOWN FIAT VERSION



NOTE:

- CONNECTOR IS SUITABLE TO BE MATED WITH COUNTERPART P/N 284617-1 (IL CONNETTORE SI ACCOPPIA CON LA CONTROPARTE P/N 284617-1)
- CONNECTOR CAVITIES ARE SUITABLE FOR CONTACTS: (LE CAVITA' DEL CONNETTORE SONO ADATTE PER CONTATTI:):
 - 0.64 MQS Clean Body contact WSR 0.35+0.50 mm² P/N 1703296-1 (FIAT restricted version) (Minimum isolation diameter: 1.2 mm; Maximum isolation diameter: 1.6 mm)
 - 0.64 MQS Clean Body contact WSR 0.35 mm² P/N 968220-1 (Minimum isolation diameter 1.2 mm; Maximum isolation diameter: 1.3 mm)
 - 0.64 MQS Clean Body contact WSR 0.75 mm² P/N 1703298-1 (FIAT restricted version) (Minimum isolation diameter 1.7 mm; Maximum isolation diameter: 1.9 mm)
 - 0.64 MQS Clean Body contact WSR 0.50+0.75 mm² P/N 968221-1 (Minimum isolation diameter 1.4 mm; Maximum isolation diameter: 1.9 mm)
 - 1.5 MQS Clean Body contact WSR 0.50 mm² P/N 1452158-1 (Minimum isolation diameter 1.4 mm; Maximum isolation diameter: 1.6 mm)
 - 1.5 MQS Clean Body contact WSR 0.75+1.50 mm² P/N 1241608-1 (Minimum isolation diameter 1.7 mm; Maximum isolation diameter: 2.4 mm)
 - 2.8K MCP Contacts SWS, WSR 0.5+1.0 mm² P/N 1241394-1 (Minimum isolation diameter 1.4 mm; Maximum isolation diameter: 2.1 mm)
 - 2.8K MCP Contacts SWS, WSR > 1.0+2.5 mm² P/N 1241396-1 (Minimum isolation diameter 2.0 mm; Maximum isolation diameter: 3.0 mm)
- TO CLOSE UNUSED CAVITIES: (PER CHIUDERE LE CAVITA' NON UTILIZZATE)
 - P/N 284583-1 for MQS Clean Body contacts cavities
 - P/N 1394872-1 for 1.5 mm Clean Body contact cavities
 - P/N 828922-1 for 2.8K MCP contact cavities
- ITEM 2, 3 AND 4 ARE SUPPLIED NOT ASSEMBLED IN THE SAME PACKAGE. (-I PARTICOLARI 2,3 AND 4 SONO FORNITI NON ASSEMBLATI NELLA STESSA CONFEZIONE.)
- ITEMS 5 AND 6 ARE SUPPLIED PRE-ASSEMBLED, IN THE SAME PACKAGE. (-I PARTICOLARI 5 E 6 SONO FORNITI PRE-ASSEMBLATI NELLA STESSA CONFEZIONE)
- ITEMS 5 IS SUPPLIED NOT ASSEMBLED IN THE SAME PACKAGE. ITEM 6 IS NOT SUPPLIED. (-L'ITEM 5 E' FORNITO NON ASSEMBLATO NELLA STESSA CONFEZIONE, L'ITEM 6 NON E' FORNITO.)

THIS DRAWING IS A CONTROLLED DOCUMENT.

DIMENSIONS: DIMENSIONI: (MM)	TOLERANCES UNLESS OTHERWISE SPECIFIED: TOLLERANZE: SE NON DIVERSAMENTE SPECIFICATO	DWN/DIS. 03OCT2001 D. BISETTI CHK/CONT. 03OCT2001 O. CANUTO	APVD/APP. 03OCT2001 A. GENTA	NAME CONNECTOR HOUSING, 94 POS. MQS, 1.5 mm Clean body, MCP 2.8 + COVER AND C.P.A. KIT
MATERIAL MATERIALE	FINISH FINITURA	PRODUCT SPEC SPEC DI PRODOTTO 108-20235	APPLICATION SPEC SPEC DI APPLICAZIONE I.S. 411-20067	SIZE CAGE CODE DRAWING NO. A200779G-284743
SEE TABLE (VEDI TABELLA)	SEE TABLE (VEDI TABELLA)	WEIGHT PESO	CUSTOMER DRAWING	RESTRICTED TO

SCALE: 1:1