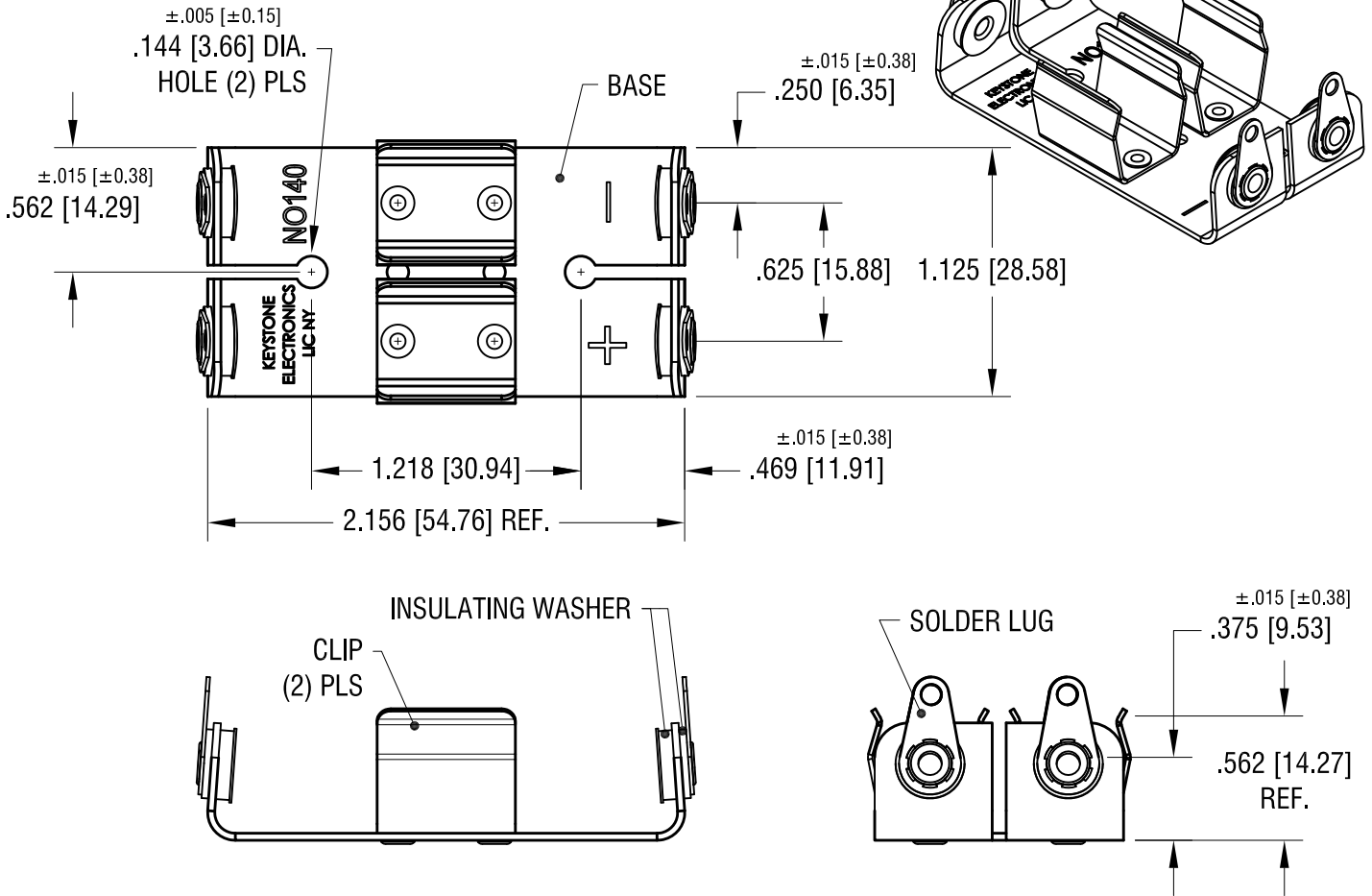


THIS DOCUMENT IS THE PROPERTY OF
KEYSTONE ELECTRONICS CORP. AND
SHALL NOT BE REPRODUCED, DISTRIBUTED
OR USED AS A BASIS FOR MANUFACTURE
WITHOUT PRIOR WRITTEN PERMISSION
FROM KEYSTONE ELECTRONICS CORP.

ACTUAL SIZE



NOTES:

- 1. BASE: MAT'L - $.032$ [$.81$] TH'K ALUMINUM
- CLIP: MAT'L - $.020$ [$.50$] TH'K ALUMINUM
- SOLDER LUG: MAT'L - BRASS
- FINISH - TIN PLATE

3.23.15	ADD "+" & "-" TO BASE CHANGE AS PER ECN 15-032	A
DATE	DESCRIPTION	REV.

KEYSTONE ELECTRONICS CORP.			
www.keyelco.com • ASTORIA, N.Y. 11105-2017 • Tel (718) 956-8900			
PART NAME BATTERY HOLDER (2) 'AA'			
MATERIAL AS NOTED			
FINISH AS NOTED		DRN BY BOONE	DATE 3.19.07
		APP'D LN	SCALE 1.2X
TOLERANCES DECIMAL ANGULAR	INCH $\pm .010$ [± 0.25]	CODE C	DWG NO. 140
UNLESS OTHERWISE SPECIFIED			