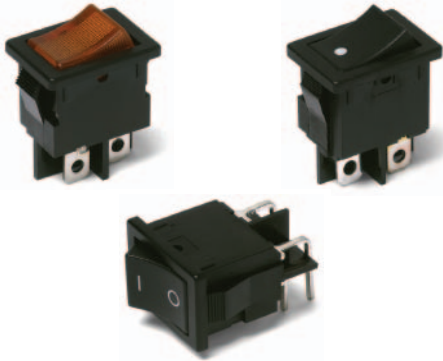


DT Series Miniature Power Rocker Switches



Features/Benefits

- Illuminated versions available
- Double pole switching in miniature package
- Snap-in mounting
- RoHS compliant

Typical Applications

- Small appliances
- Computers and peripherals
- Medical instrumentation



Specifications

CONTACT RATING:
 UL/CSA: 8 AMPS @ 125 VAC, 4 AMPS @ 250 VAC
 VDE: 10 AMPS @ 125 VAC, 6 AMPS @ 250 VAC.
 ELECTRICAL LIFE: 10,000 make and break cycles at full load.
 INSULATION RESISTANCE: $10^8 \Omega$ min.
 DIELECTRIC STRENGTH: 1,500 VRMS @ sea level.
 OPERATING TEMPERATURE: -20°C to +85°C

Materials

HOUSING AND ACTUATOR: 6/6 nylon (UL94V-2), black, matte finish.
 ILLUMINATED ACTUATOR: Polycarbonate, matte finish.
 CENTER CONTACTS: Silver plated, copper alloy.
 END CONTACTS: Silver plated AgCdO.
 ALL TERMINALS: Silver plated, copper alloy.

NOTE: Specifications and materials listed above are for switches with standard options. For information on specific and custom switches, consult Customer Service Center.

Build-A-Switch

To order, simply select desired option from each category and place in the appropriate box. Available options are shown and described on pages G-67 through G-69. For additional options not shown in catalog, consult Customer Service Center.

<p>Switch Function</p> <p>DT12 SPST On-None-Off DT22 DPST On-None-Off</p> <p>Actuator</p> <p>J1 Rocker J2 Two-tone rocker J3 Illuminated rocker</p> <p>Actuator Color</p> <p>1-5 See Chart on Page G-68 R Red, illuminated A Amber, illuminated G Green, illuminated</p> <p>Mounting Style/Color</p> <p>S2 Snap-in, black S1 Snap-in, white B2 Recessed snap-in bracket, black G2 Guard, black</p> <p>Termination</p> <p>15 .187" quick connect 02 PC Thru-hole A Right angle, PC thru-hole</p> <p>Actuator Marking</p> <p>(NONE) No marking D ON-OFF H "O I" - international ON-OFF N Large dot P "O -" international ON-OFF</p> <p>Contact Rating</p> <p>QA Silver (UL/CSA) QF Silver (VDE)*</p> <p>Lamp Rating</p> <p>(NONE) No lamp 7 125 VAC neon 8 250 VAC neon</p>	
---	--

* QF available with termination 15 only.

Rocker



Dimensions are shown: Inches (mm)
 Specifications and dimensions subject to change

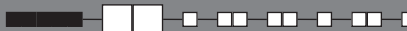
DT Series Miniature Power Rocker Switches

SWITCH FUNCTION



NO. POLES	MODEL NO.	SWITCH FUNCTION		CONNECTED TERMINALS		SCHEMATIC
		POS 1	POS 3	POS 1	POS 3	
SP	DT12	ON	OFF	2-1	OPEN	 For Illuminated Versions
DP	DT22	ON	OFF			 For Illuminated Versions

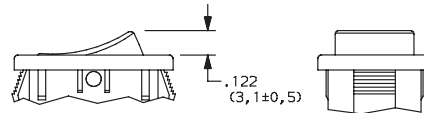
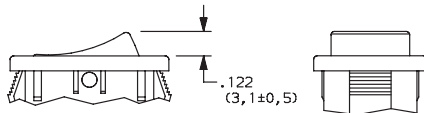
ACTUATOR



J1 ROCKER

J3 ILLUMINATED ROCKER

J2 TWO-TONE ROCKER



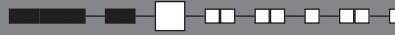
Third Angle
Projection

Dimensions are shown: Inches (mm)
Specifications and dimensions subject to change



DT Series Miniature Power Rocker Switches

ACTUATOR COLOR



	OPTION CODE	ACTUATOR COLOR
For J1 only	2	BLACK
	1	WHITE
	3	RED
For J3 only	R	RED, ILLUMINATED
	A	AMBER, ILLUMINATED
	G	GREEN, ILLUMINATED

OPTION CODE	ACTUATOR COLOR	
	TOP	BOTTOM
1	WHITE	RED
2	WHITE	BLACK
3	RED	WHITE
4	BLACK	WHITE
5	BLACK	RED

J2 actuator only

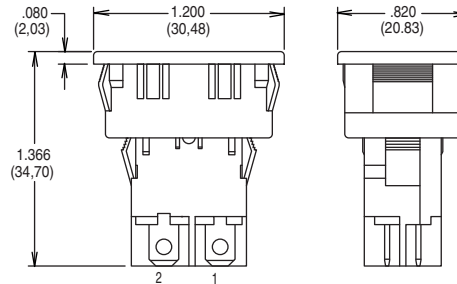
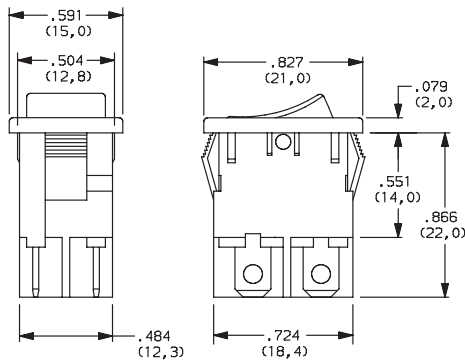
MOUNTING STYLE/COLOR



S2 SNAP-IN, BLACK

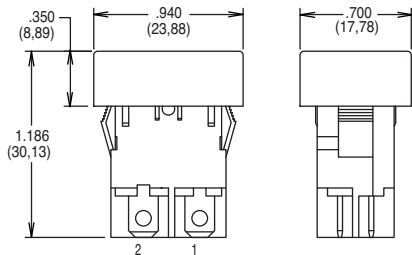
S1 SNAP-IN, WHITE

B2 RECESSED SNAP-IN BRACKET, BLACK

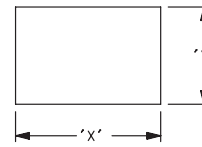


NOTE: Available with DT102 switch functions only.

G2 GUARD, BLACK



PANEL MOUNTING



PANEL THICKNESS	"X"	"Y"
0.030-0.049 (0,75-1,25)	0.756-.004 (19,2-0,1)	0.512+.004 (13,0+0,1)
0.049-0.079 (1,25-2,0)	0.764-.004 (19,4-0,1)	0.512+.004 (13,0+0,1)
0.079-0.118 (2,0-3,0)	0.780-.004 (19,8-0,1)	0.512+.004 (13,0+0,1)

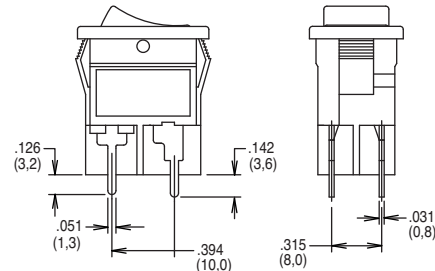
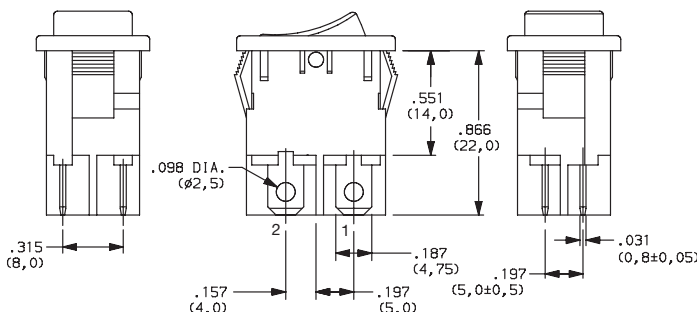
TERMINATION



15 .187" QUICK CONNECT

02 PC THRU-HOLE

Rocker



NOTE: No VDE approval of this option.



Third Angle Projection

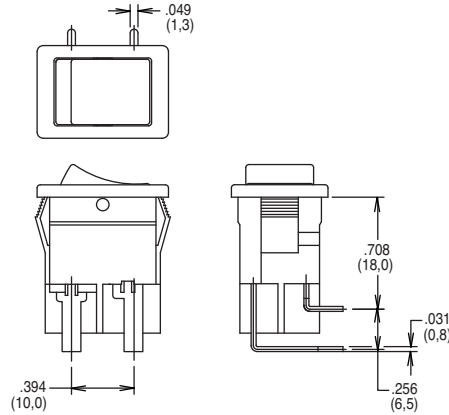
Dimensions are shown: Inches (mm)

Specifications and dimensions subject to change

DT Series Miniature Power Rocker Switches

TERMINATION

A RIGHT ANGLE, PC THRU-HOLE



NOTE: No VDE approval of this option.

ACTUATOR MARKING

NONE NO MARKING



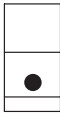
D ON-OFF



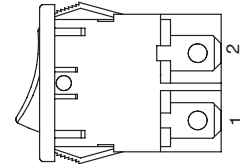
H O-I



N LARGE DOT



P O-



NOTE: Orientation of actuator marking and terminals.

CONTACT MATERIAL

OPTION CODE	CONTACT AND TERMINAL MATERIAL	RATINGS	
		POWER	8 AMPS @ 125 VAC; 4 AMPS @ 250 VAC (UL/CSA)
QA	SILVER	POWER	8 AMPS @ 125 VAC; 4 AMPS @ 250 VAC (UL/CSA)
QF	SILVER	POWER	10 AMPS @ 125 VAC; 6 AMPS @ 250 VAC (VDE)

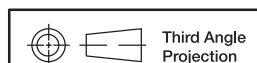
*1 QF available with termination 15 only.

LAMP RATING

(NONE) NO LAMP

7 125 VAC 33kΩ NEON

8 250 VAC 150kΩ NEON



Third Angle Projection

Dimensions are shown: Inches (mm)
Specifications and dimensions subject to change

www.ck-components.com

