

# Screwdriver - SF-SL 0,8X4,0-100 S-VDE - 1212588

Please be informed that the data shown in this PDF Document is generated from our Online Catalog. Please find the complete data in the user's documentation. Our General Terms of Use for Downloads are valid (<http://phoenixcontact.com/download>)




Actuation tool, for ST terminal blocks, VDE insulated, with slimmer insulation integrated in the blade, also suitable for use as a bladed screwdriver, size: 0.8 x 4.0 x 100 mm, 2-component grip, with non-slip grip

## Why buy this product

- VDE-tested, for maximum safety
- In addition to standard applications, SF-SL ... screwdrivers are particularly suitable for modular terminal block assembly
- Because the insulation runs into the shaft, there is no protruding edge

## Key Commercial Data

Packing unit	10 STK
GTIN	 4 046356 590235
GTIN	4046356590235

## Technical data

### Dimensions

Length (b)	198 mm
Width (a)	33 mm
Blade thickness	0.8 mm
Blade width	4 mm
Blade height	100 mm
Wrench size	0 mm

### General

Type	Bladed
	straight
Material	alloyed tool steel
Test standard	DIN/ISO 2380-1 IEC 60900:2004

### Standards and Regulations

Test standard	DIN/ISO 2380-1 IEC 60900:2004
---------------	-------------------------------

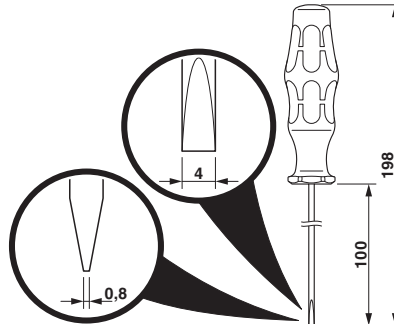
## Drawings

# Screwdriver - SF-SL 0,8X4,0-100 S-VDE - 1212588

Pictogram



Dimensional drawing



## Approvals

### Approvals

Approvals

VDE Zeichengenehmigung / EAC

Ex Approvals

### Approval details

VDE Zeichengenehmigung		<a href="http://www2.vde.com/de/Institut/Online-Service/VDE-gepruefteProdukte/Seiten/Online-Suche.aspx">http://www2.vde.com/de/Institut/Online-Service/VDE-gepruefteProdukte/Seiten/Online-Suche.aspx</a>	40032921
------------------------	--	---	----------

EAC			RU C- DE.AI30.B.01750
-----	--	--	--------------------------

Phoenix Contact 2018 © - all rights reserved  
<http://www.phoenixcontact.com>

PHOENIX CONTACT GmbH & Co. KG  
Flachsmarktstr. 8  
32825 Blomberg  
Germany  
Tel. +49 5235 300  
Fax +49 5235 3 41200  
<http://www.phoenixcontact.com>