

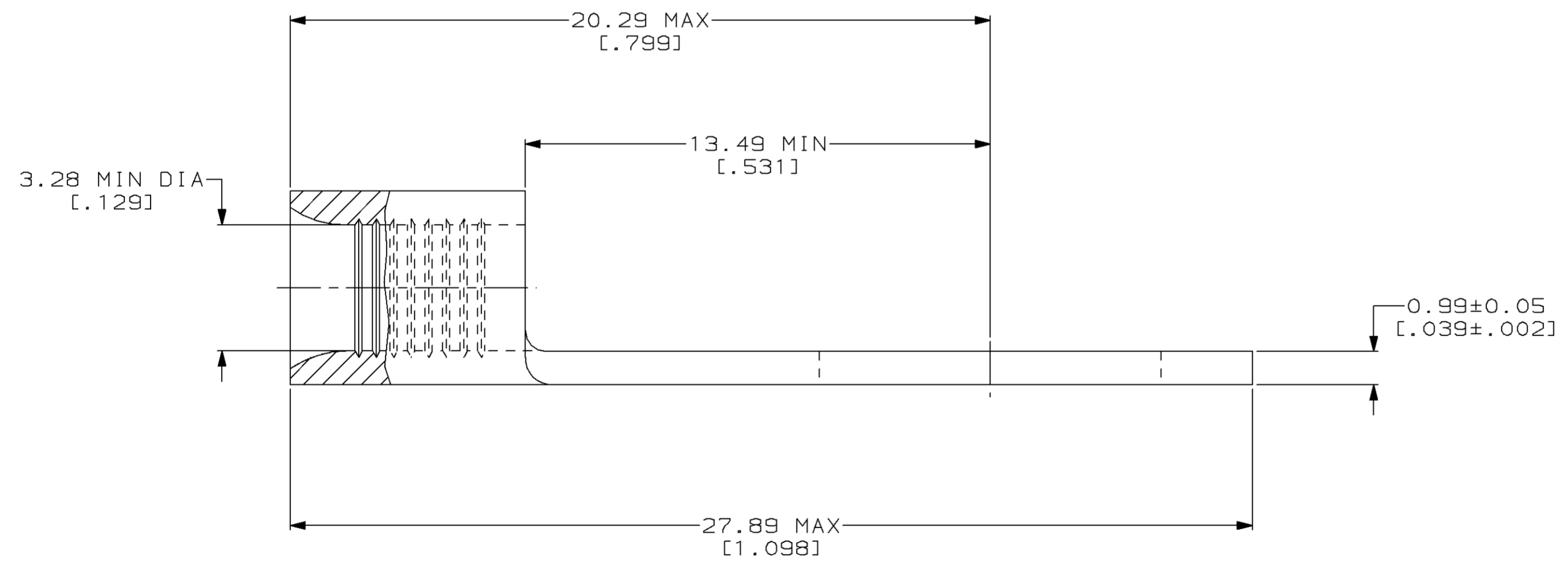
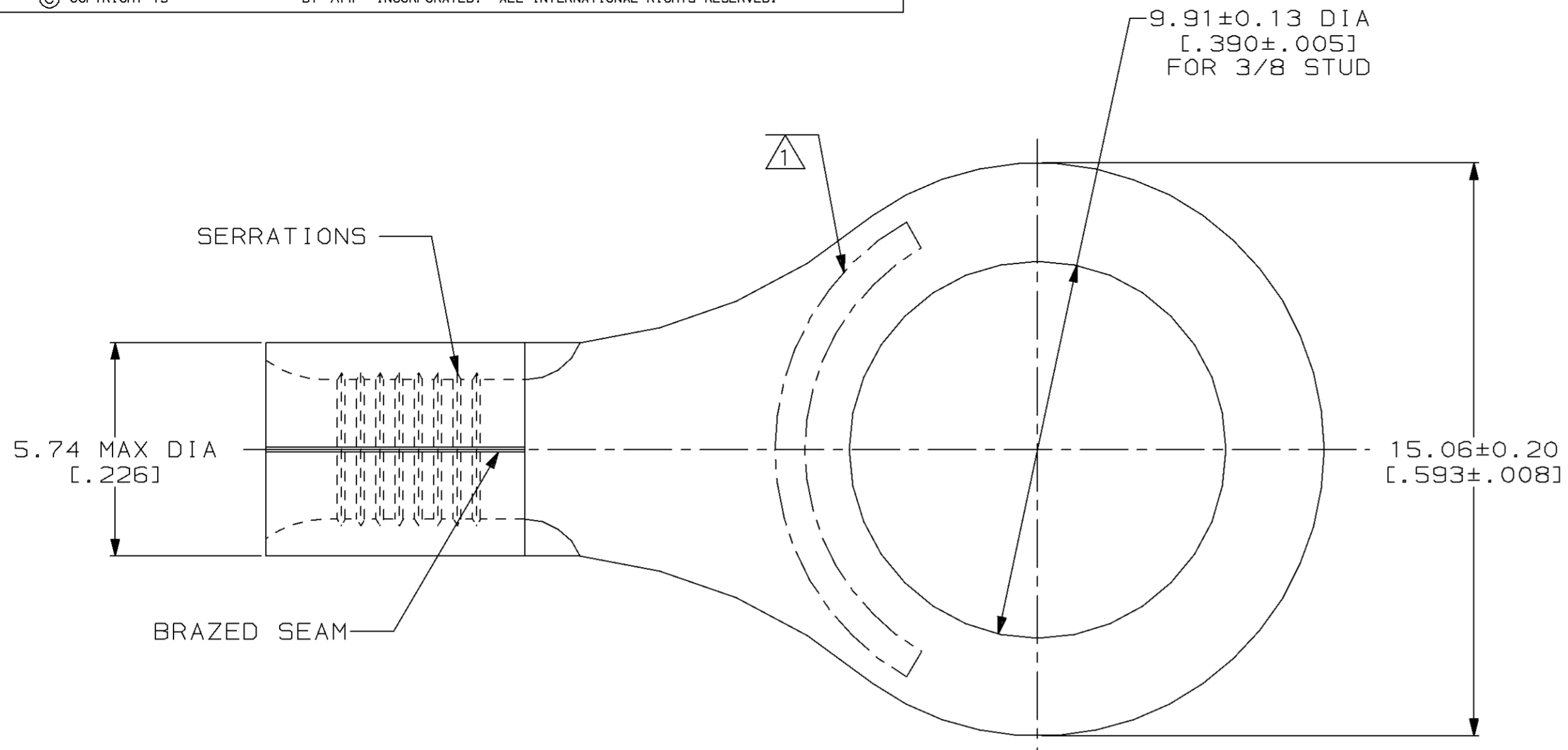
THIS DRAWING IS UNPUBLISHED. RELEASED FOR PUBLICATION, 19 .
 © COPYRIGHT 19 BY AMP INCORPORATED. ALL INTERNATIONAL RIGHTS RESERVED.

| LOC | DIST | P | F | ZONE | LTR | DESCRIPTION | DATE | APPD |
|-----|------|---|---|------|-----|--------------------------------|---------|---------|
| G | 14 | | | | C | REV & REDRAWN PER 0720-0061-93 | 4-19-93 | APP DAP |

METRIC
 DIMENSIONS LISTED IN mm [INCHES]

| | |
|--------------------------------|----------------------------|
| AMP WIRE RANGE | UL E13288 Listed |
| 12-10 AWG SOLID OR STRANDED | NOT APPLICABLE |
| SR LR7189 Certified | MILITARY P/N AND CLASS |
| NOT APPLICABLE | NOT APPLICABLE |

1 STAMP AMP 12-10* APPROX AS SHOWN



| | | | | | | |
|--|--|---|--|---|--|------------------------|
| AMP INCORPORATED CUSTOMER SERVICE SYSTEMS | | MAX RECOMMENDED OPERATING TEMPERATURE: 343°C MAX | DO NOT SCALE PRINT. UNLESS SPECIFIED DIMENSIONS IN mm [INCHES] TOLERANCES ON: 2 PLC DEC ± - 3 PLC DEC ± - ANGLES ± - | DR 4-19-93 TA BRINKMAN CHK 4-19-93 DA PATTERSON APPD 4-19-93 DE MILLER APPD 4-19-93 JL MECKLEY PRODUCT SPEC - APPLICATION SPEC - WEIGHT - | 323065 PART NO | |
| FOR ADDITIONAL PRODUCT INFORMATION OR COPIES OF DRAWINGS AND TECHNICAL DOCUMENTS | PRODUCT INFORMATION CENTER 1-800-522-6752 | VOLTAGE RATING: NOT APPLICABLE | MATERIAL COPPER PER ASTM B-152 ANNEALED | AMP Incorporated Harrisburg, PA 17105-3608 | NAME TERMINAL, RING TONGUE, HEAT RESISTANT, STRATO-THERM™ | |
| FOR APPLICATION TOOLING INFORMATION | TOOLING ASSISTANCE CENTER 1-800-722-1111 | WIRE CROSS SECTIONAL AREA RANGE: 2.62-6.64mm² [5,180-13,100] CIR MILS SOLID OR STRANDED | FINISH NICKEL PLATE 0.00762 [0.000300] MIN THK PER QQ-N-290 | SIZE 00779 | | DRAWING NO C=323065 |
| FOR ORDER ENTRY | 1-800-526-5142 | THIS DRAWING IS A CONTROLLED DOCUMENT FOR AMP INCORPORATED. IT IS SUBJECT TO CHANGE AND THE CONTROLLING ENGINEERING ORGANIZATION SHOULD BE CONTACTED FOR THE LATEST REVISION. | | SCALE 8:1 | | SHEET 1 OF 1 |