
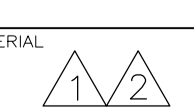


THIS DRAWING IS A CONTROLLED DOCUMENT.		DIN R.K. SEIFRIED 06/18/90	TE Connectivity	
		CHK G SKIPPER 2/17/92		
DIMENSIONS: mm [INCHES]	TOLERANCES UNLESS OTHERWISE SPECIFIED:	APVD	NAME	
	0 PLC ± -		HDI, 4 ROW, RECEPTACLE ASSEMBLY, 3.05 [.120] LONG SOLDER TAILS, .00076 [.000030] GOLD PLATE	
	1 PLC ± -		PRODUCT SPEC	
	2 PLC ± -		APPLICATION SPEC	
	3 PLC ± 0.13 [.005]		SIZE CAGE CODE DRAWING NO RESTRICTED TO	
	4 PLC ± -		A1 00779 C=532903	
	ANGLES ± -		WEIGHT	
MATERIAL	FINISH		CUSTOMER DRAWING	
			SCALE 4:1 SHEET 1 OF 2 REV P1	

- ① HOUSING MATERIAL: THERMOPLASTIC, COLOR-NATURAL.
- ② CONTACT MATERIAL: COPPER ALLOY.
- ③ CONTACT FINISH: .00127-.00254 [.000050-.000100] NICKEL UNDERPLATE ALL OVER; .00076 [.000030] GOLD PLATE IN CONTACT AREA, TIN-LEAD PLATED SOLDER TAILS.
- ④ SOLDER TAILS MUST FIT HOLE PATTERN AS SHOWN ON THE RECOMMENDED P.C. BOARD LAYOUT.
- 5. DIMENSIONS IN BRACKETS ARE IN INCHES.
- ⑥ PART NUMBER IS OBSOLETE.
- ⑦ QUANTITIES OF VOID CORING ARE DEPENDENT ON THE POSITION SIZE OF THE HOUSING.

⑥						3-532903-5	
⑥						3-532903-4	
⑥	210.82 [8.300]	83	213.97 [8.424]	224.79 [8.850]	232.41 [9.150]	336	1-532903-4
⑥	35.56 [1.400]	14	38.71 [1.524]	49.53 [1.950]	57.15 [2.250]	60	1-532903-3
	73.66 [2.900]	29	76.81 [3.024]	87.63 [3.450]	95.25 [3.750]	120	1-532903-2
	175.26 [6.900]	69	178.41 [7.024]	189.23 [7.450]	196.85 [7.750]	280	1-532903-1
⑥	162.56 [6.400]	64	165.71 [6.524]	176.53 [6.950]	184.15 [7.250]	260	1-532903-0
⑥	149.86 [5.900]	59	153.01 [6.024]	163.83 [6.450]	171.45 [6.750]	240	532903-9
	137.16 [5.400]	54	140.31 [5.524]	151.13 [5.950]	158.75 [6.250]	220	532903-8
	124.46 [4.900]	49	127.61 [5.024]	138.43 [5.450]	146.05 [5.750]	200	532903-7
	111.76 [4.400]	44	114.91 [4.524]	125.73 [4.950]	133.35 [5.250]	180	532903-6
	99.06 [3.900]	39	102.21 [4.024]	113.03 [4.450]	120.65 [4.750]	160	532903-5
	86.36 [3.400]	34	89.51 [3.524]	100.33 [3.950]	107.95 [4.250]	140	532903-4
	78.74 [3.100]	31	81.89 [3.224]	92.71 [3.650]	100.33 [3.950]	128	532903-3
	60.96 [2.400]	24	64.11 [2.524]	74.93 [2.950]	82.55 [3.250]	100	532903-2
	187.96 [7.400]	74	191.11 [7.524]	201.93 [7.950]	209.55 [8.250]	300	532903-1
	E	D	C	B	A	POSN	PART NUMBER

THIS DRAWING IS A CONTROLLED DOCUMENT.		DIN R. K. SEIFRIED CHK G SKIPPFR APVD	06/18/90 2/17/92	 TE Connectivity	
DIMENSIONS: mm [INCHES]	TOLERANCES UNLESS OTHERWISE SPECIFIED:	PRODUCT SPEC	NAME	HDI, 4 ROW, RECEPTACLE ASSEMBLY, 3.05 [.120] LONG SOLDER TAILS, .00076 [.000030] GOLD PLATE	
0 PLC ± -	1 PLC ± -	APPLICATION SPEC	SIZE	CAGE CODE	DRAWING NO
2 PLC ± -	3 PLC ± 0.13 [.005]		A1	00779	532903
4 PLC ± -	ANGLES ± -	RESTRICTED TO	CUSTOMER DRAWING		
		SCALE	4:1	SHEET	2 OF 2
		REV	P1		