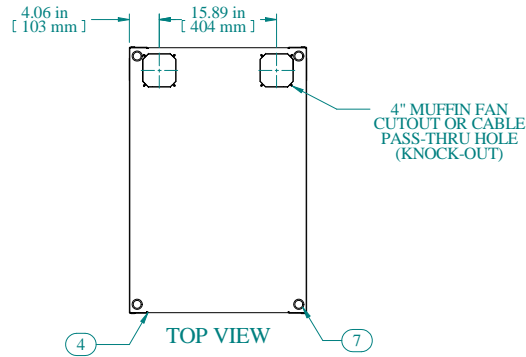
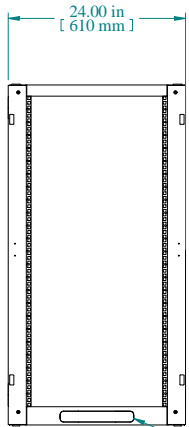
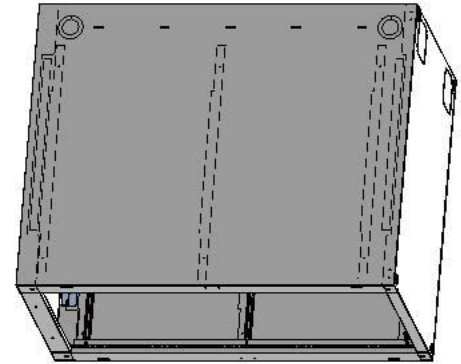


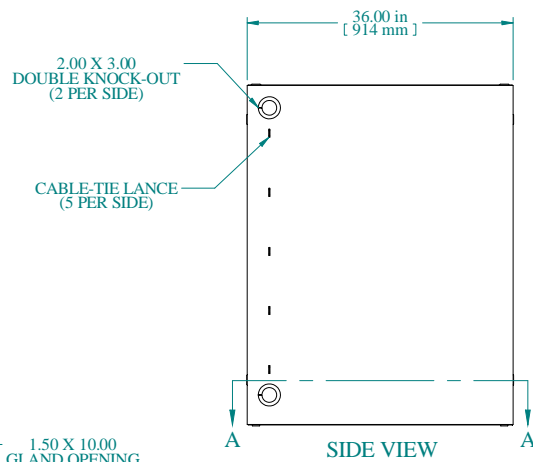
SECTION A-A



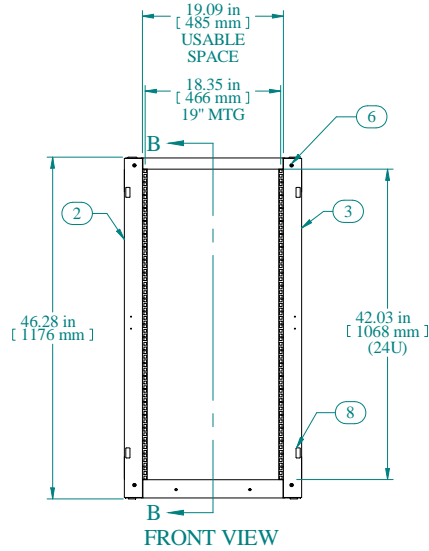
TOP VIEW



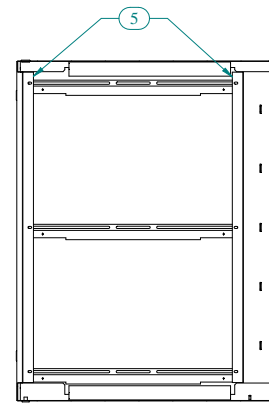
REAR VIEW



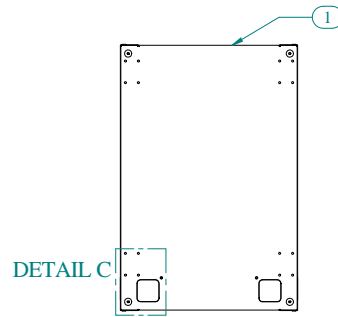
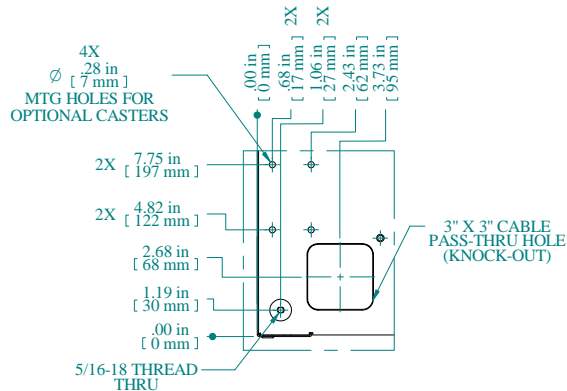
SIDE VIEW



FRONT VIEW



SECTION B-B



BOTTOM VIEW

| Item Number | Title                         | Quantity |
|-------------|-------------------------------|----------|
| 1           | RCSC - BOTTOM PANEL           | 1        |
| 2           | RCSC - LH SIDE FRAME          | 1        |
| 3           | RCSC - RH SIDE FRAME          | 1        |
| 4           | RCSC - TOP PANEL              | 1        |
| 5           | RCSC - 24U PUNCHED PANEL RAIL | 4        |
| 6           | SCREW M6 X 1.0 X 12MM         | 8        |
| 7           | PLUG - 1.00\"/>               | 4        |
| 8           | PLUG - 0.38\"/>               | 8        |

**PART NUMBERS**

RCSC1904236BK1 | PAINTED BLACK TEXTURED

**NOTES**

Shipped knockdown for handling ease & protection  
See Hammond Website for Additional Accessories

Data subject to change without notice. Isometric drawing not to scale.



**HAMMOND  
MANUFACTURING™**

www.hammondmfg.com

**PART NO. RCSC1904236**