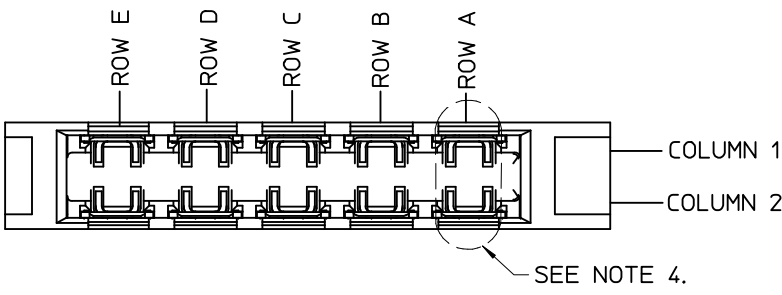
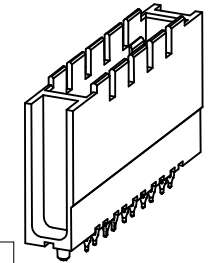
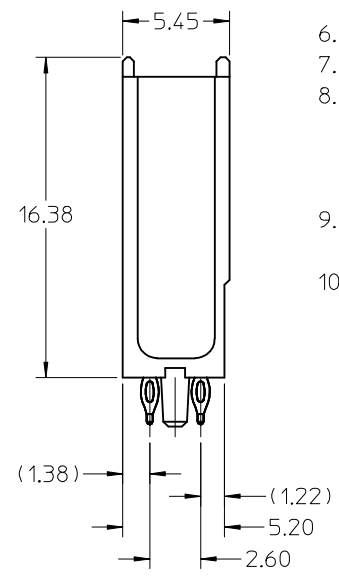
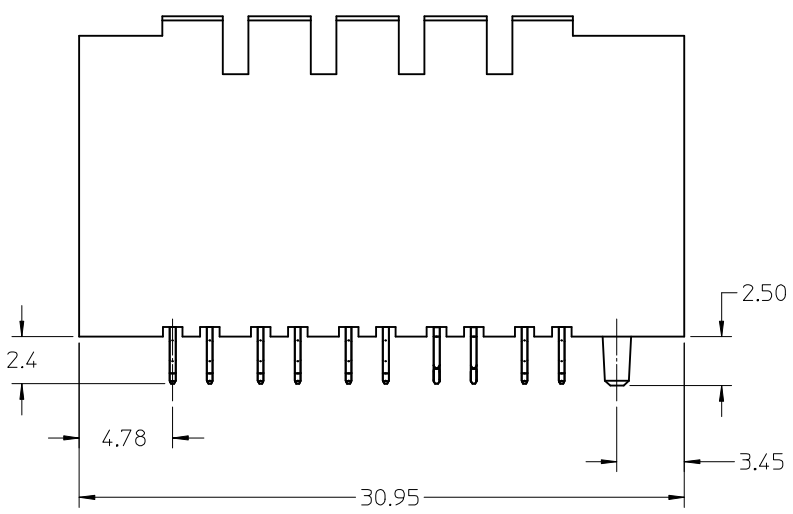


10 9 8 7 6 5 4 3 2 1



- NOTES:
1. MATERIALS: HOUSING - LIQUID CRYSTAL POLYMER (LCP), UL 94V-0, GRAY; CONTACT - COPPER ALLOY.
 2. FINISH: SELECT GOLD IN CONTACT AREA, 50 MICRINCH THICK; MATTE TIN IN COMPLIANT AREA.
 3. PACKAGING PER PK-70873-566.
 4. CONTACTS IN EACH ROW HAVE THE SAME WIPE LENGTH.
 5. BACKPLANE ASSEMBLY MATES WITH DAUGHTERCARD POWER MODULE 75292-5***.
 6. PART SHOWN IS 75514-0467 (SHEET 4).
 7. SEE OTHER SHEETS FOR ADDITIONAL NOTES.
 8. WHEN INSERTING OPEN SIGNAL MODULES NEXT TO COLUMN 1 SIDE OF POWER MODULES, SIGNAL MODULES MUST BE INSERTED BEFORE THE POWERS TO AVOID INTERFERENCE BETWEEN THE TWO CONNECTOR HOUSINGS.
 9. THESE PARTS CONFORM TO MOLEX PRODUCT SPECIFICATION PS-75221-999.
 10. THESE PARTS CONFORM TO MOLEX COSMETIC SPECIFICATION PS-45499-002 CLASS B.



1-UP ASSEMBLY PART NUMBER

7 5 5 1 A - B C D E

- MATTE TIN (FORMERLY TIN/LEAD) PLATED PRODUCT -
FOR EACH ROW LOCATION A, B, C, D, E:

- 0 = VOID
- 4 = 4.5 mm WIPE
- 6 = 6.0 mm WIPE
- 7 = 7.5 mm WIPE

- MATTE TIN PLATED PRODUCT -
FOR EACH ROW LOCATION A, B, C, D, E:

- 0 = VOID
- 2 = 4.5 mm WIPE
- 3 = 6.0 mm WIPE
- 5 = 7.5 mm WIPE

THE PRIMARY CARTON WITH A LABEL STATING "ELV AND RoHS COMPLIANT" IS LEAD FREE. CARTONS WITHOUT THIS LABEL MAY CONTAIN LEAD.

LEAD FREE CONVERSION EC NO: UCP2013-2305 DRWN:RHIPPLE 2012/12/07 CHKD:MWLF 2012/12/07 APPR:SMILLER 2012/12/17	DESCRIPTION REV	QUALITY SYMBOLS	GENERAL TOLERANCES (UNLESS SPECIFIED)	DIMENSION STYLE MM ONLY	SCALE 4:1	DESIGN UNITS METRIC	THIRD ANGLE PROJECTION
		▽=0	4 PLACES ± --- ± ---	DRAWN BY DATE ELO 2006/04/13	TITLE GBX 5 PAIR BACKPLANE POWER SALES ASSEMBLY	DOCUMENT NO. SD-75510-001	SHEET NO. 1 OF 4
		▽=0	3 PLACES ± --- ± ---	CHECKED BY DATE ELO 2006/04/13			
		▽=0	2 PLACES ± .13 ± ---	APPROVED BY DATE CUNNINGHAM 2006/04/17			
▽=0	1 PLACE ± 0.25 ± ---	MATERIAL NO.					
			0 PLACE ± ±	SEE CHART	THIS DRAWING CONTAINS INFORMATION THAT IS PROPRIETARY TO MOLEX INCORPORATED AND SHOULD NOT BE USED WITHOUT WRITTEN PERMISSION		

9 8 7 6 5 4 3 2 1

10 9 8 7 6 5 4 3 2 1

2-UP ASSEMBLY PART NUMBER

7 5 5 2 A - B C D E

- MATTE TIN (FORMERLY TIN/LEAD) PLATED PRODUCT -

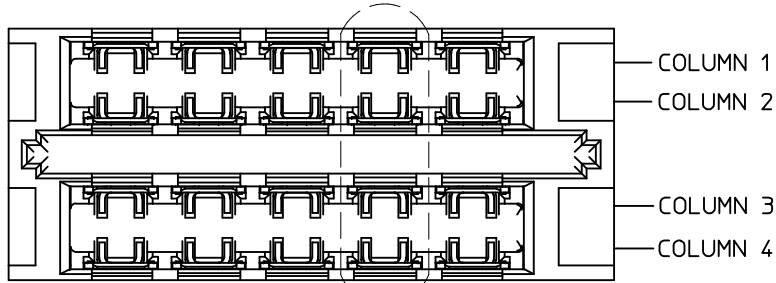
FOR EACH ROW LOCATION A, B, C, D, E:

- 0 = VOID
- 4 = 4.5 mm WIPE
- 6 = 6.0 mm WIPE
- 7 = 7.5 mm WIPE

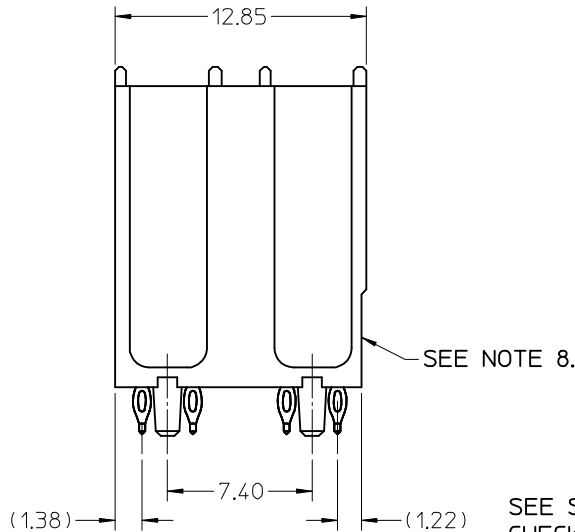
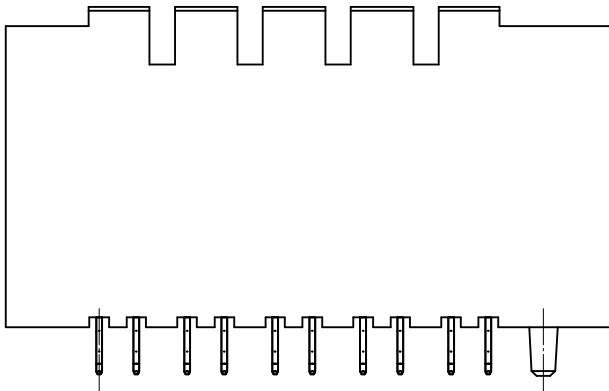
- MATTE TIN PLATED PRODUCT -

FOR EACH ROW LOCATION A, B, C, D, E:

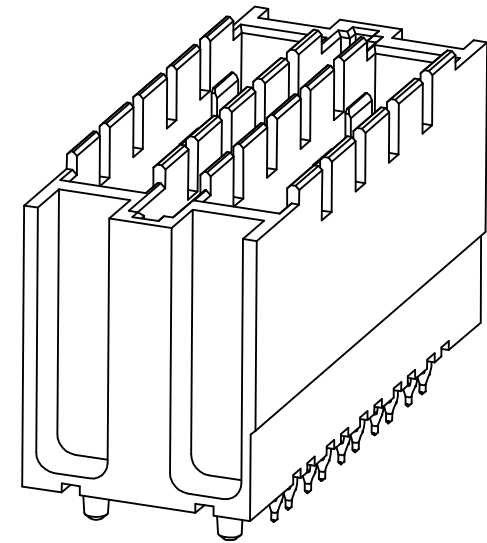
- 0 = VOID
- 2 = 4.5 mm WIPE
- 3 = 6.0 mm WIPE
- 5 = 7.5 mm WIPE



SEE NOTE 4.



SEE NOTE 8.

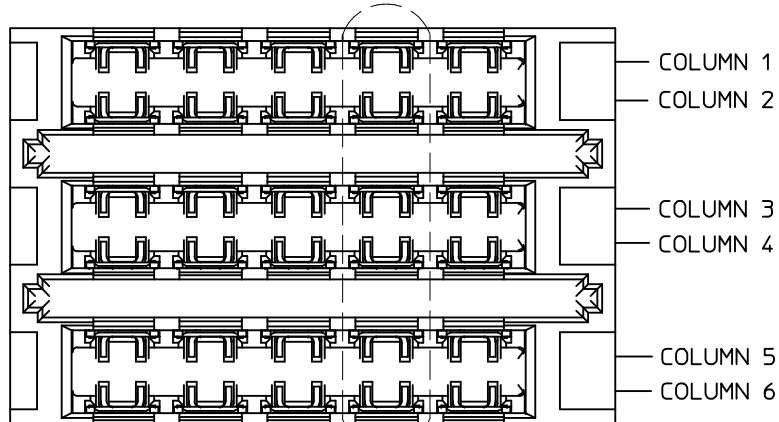


SEE SHEET 1 FOR ADDITIONAL INFORMATION
CHECK WITH PRODUCT MANAGER FOR AVAILABILITY

SEE SHEET 1 EC NO: UCP2013-2305 DRAWN: RWHIPPLE 2012/12/07 CHKD: MWOLFE 2012/12/07 APPR: SMILLER 2012/12/17	DESCRIPTION REV	QUALITY SYMBOLS	GENERAL TOLERANCES (UNLESS SPECIFIED)	DIMENSION STYLE MM ONLY	SCALE 4:1	DESIGN UNITS METRIC	THIRD ANGLE PROJECTION
		▽=0	mm INCH	DRAWN BY DATE	TITLE	GBX 5 PAIR BACKPLANE POWER SALES ASSEMBLY molex	
		▽=0	4 PLACES ± --- ± ---	ELO 2006/04/13	CHECKED BY DATE		
		▽=0	3 PLACES ± --- ± ---	ELO 2006/04/13	APPROVED BY DATE		
▽=0	2 PLACES ± .13 ± ---	CUNNINGHAM 2006/04/17	MATERIAL NO.	DOCUMENT NO.			
		1 PLACE ± 0.25 ± ---	ANGULAR ± --- °	SEE CHART			SHEET NO.
		0 PLACE ± ±	DRAFT WHERE APPLICABLE MUST REMAIN WITHIN DIMENSIONS	SIZE B			2 OF 4
THIS DRAWING CONTAINS INFORMATION THAT IS PROPRIETARY TO MOLEX INCORPORATED AND SHOULD NOT BE USED WITHOUT WRITTEN PERMISSION							

9 8 7 6 5 4 3 2 1

10 9 8 7 6 5 4 3 2 1



3-UP ASSEMBLY PART NUMBER

7 5 5 3 A - B C D E

- MATTE TIN (FORMERLY TIN/LEAD) PLATED PRODUCT -

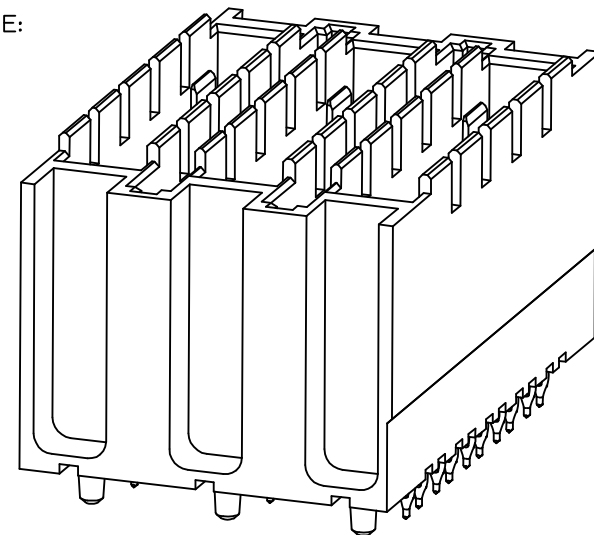
FOR EACH ROW LOCATION A, B, C, D, E:

- 0 = VOID
- 4 = 4.5 mm WIPE
- 6 = 6.0 mm WIPE
- 7 = 7.5 mm WIPE

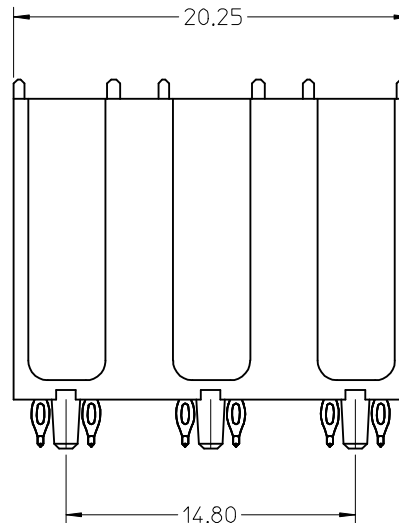
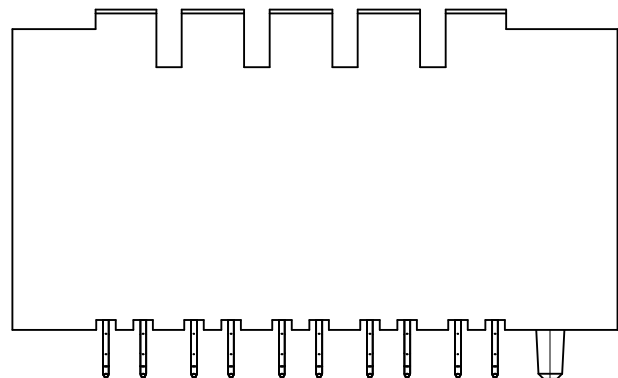
- MATTE TIN PLATED PRODUCT -

FOR EACH ROW LOCATION A, B, C, D, E:

- 0 = VOID
- 2 = 4.5 mm WIPE
- 3 = 6.0 mm WIPE
- 5 = 7.5 mm WIPE



SEE NOTE 4.



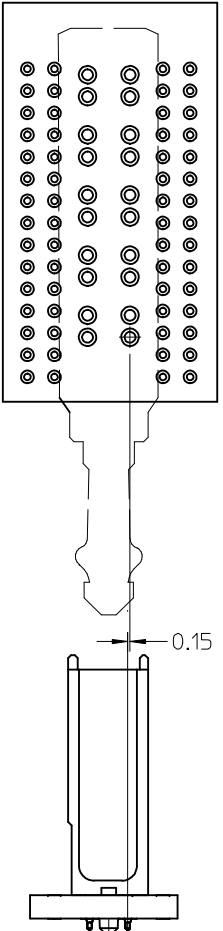
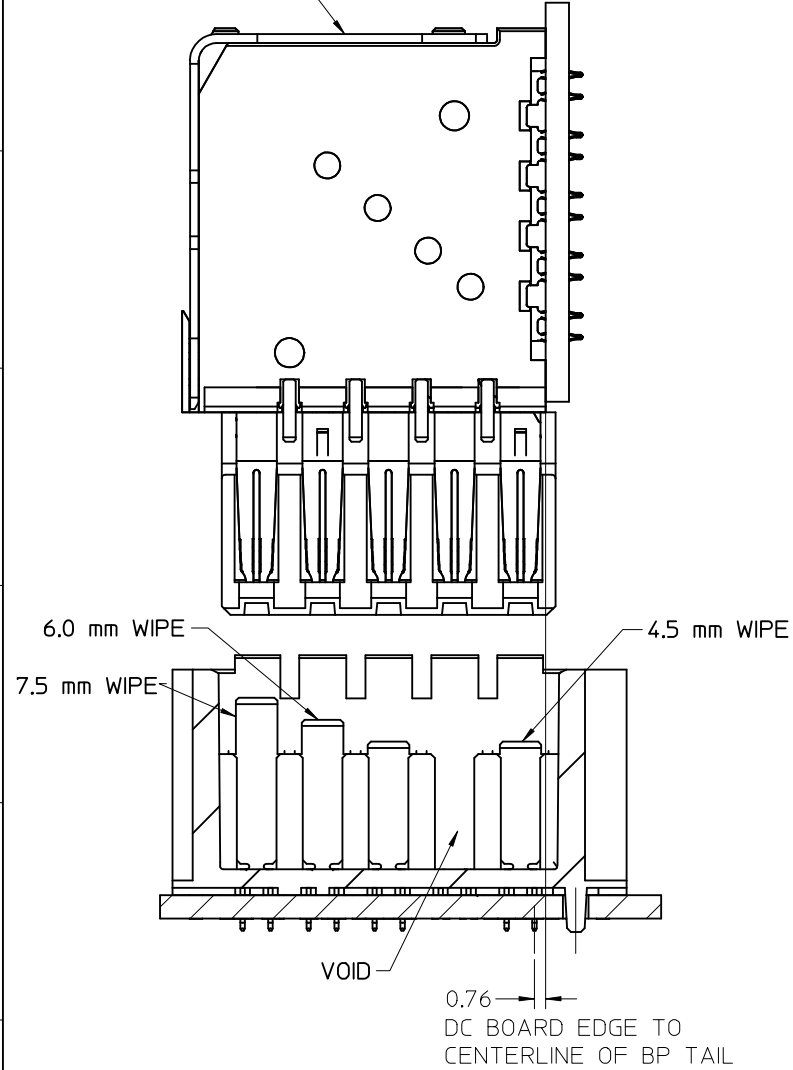
SEE SHEET 1 FOR ADDITIONAL INFORMATION
CHECK WITH PRODUCT MANAGER FOR AVAILABILITY

SEE SHEET 1	EC NO: UCP2013-2305	QUALITY SYMBOLS	GENERAL TOLERANCES (UNLESS SPECIFIED)		DIMENSION STYLE		SCALE	DESIGN UNITS	THIRD ANGLE PROJECTION
	DRM:RWHIPPLE 2012/12/07	$\nabla = 0$	mm	INCH	MM ONLY		4:1	METRIC	
	CHKD:WOLFE 2012/12/07	$\nabla = 0$	4 PLACES ± ---	± ---	DRAWN BY	DATE	TITLE		GBX 5 PAIR BACKPLANE POWER SALES ASSEMBLY
	APPR:SMILLER 2012/12/17	$\nabla = 0$	3 PLACES ± ---	± ---	ELO	2006/04/13	SEE CHART		
		2 PLACES ± .13	± ---	CHECKED BY	DATE	DOCUMENT NO.		SHEET NO.	
		1 PLACE ± 0.25	± ---	ELO	2006/04/13	SD-75510-001		3 OF 4	
		0 PLACE ±	±	APPROVED BY	DATE	THIS DRAWING CONTAINS INFORMATION THAT IS PROPRIETARY TO MOLEX INCORPORATED AND SHOULD NOT BE USED WITHOUT WRITTEN PERMISSION			
				CUNNINGHAM	2006/04/17				
				MATERIAL NO.					
				ANGULAR ± --- °					
				DRAFT WHERE APPLICABLE MUST REMAIN WITHIN DIMENSIONS					

9 8 7 6 5 4 3 2 1

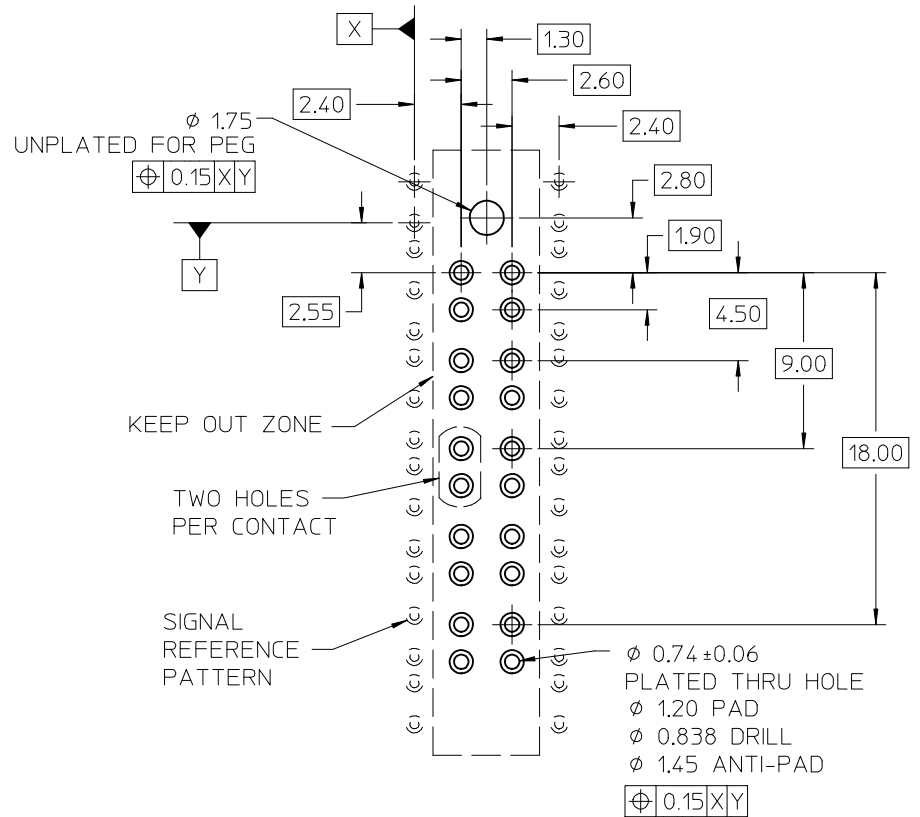
10 9 8 7 6 5 4 3 2 1

SEE NOTE 5.



HOLE PATTERN FOR 1-UP ASSEMBLY

- 1.) ADD 7.40 FROM CENTERLINES OF PEG FOR MULTIPLE UP ASSEMBLIES.
- 2.) ADD 5.55 FROM CENTERLINE TO CENTERLINE OF PEG FOR INDIVIDUAL POWER MODULES STACKED NEXT TO EACH OTHER.



SEE SHEET 1 EC NO: UCP2013-2305 DRAWN: RWHIPPLE 2012/12/07 CHKD: MWOLFE 2012/12/07 APPR: SMILLER 2012/12/17	DESCRIPTION REV	QUALITY SYMBOLS	GENERAL TOLERANCES (UNLESS SPECIFIED)	DIMENSION STYLE	SCALE	DESIGN UNITS	THIRD ANGLE PROJECTION
		$\nabla = 0$ $\nabla = 0$ $\nabla = 0$	mm INCH 4 PLACES ± --- ± --- 3 PLACES ± --- ± --- 2 PLACES ± .13 ± --- 1 PLACE ± 0.25 ± --- 0 PLACE ± ±	MM ONLY	4:1	METRIC	TITLE GBX 5 PAIR BACKPLANE POWER SALES ASSEMBLY molex DOCUMENT NO. SD-75510-001 SHEET NO. 4 OF 4
		ANGULAR ± --- ° DRAFT WHERE APPLICABLE MUST REMAIN WITHIN DIMENSIONS	DRAWN BY DATE ELO 2006/04/13 CHECKED BY DATE ELO 2006/04/13 APPROVED BY DATE CUNNINGHAM 2006/04/17 MATERIAL NO. SEE CHART				

9 8 7 6 5 4 3 2 1