

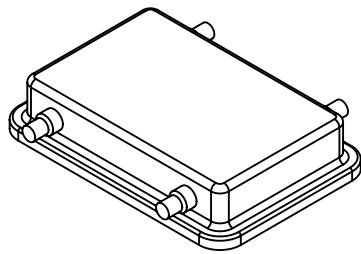
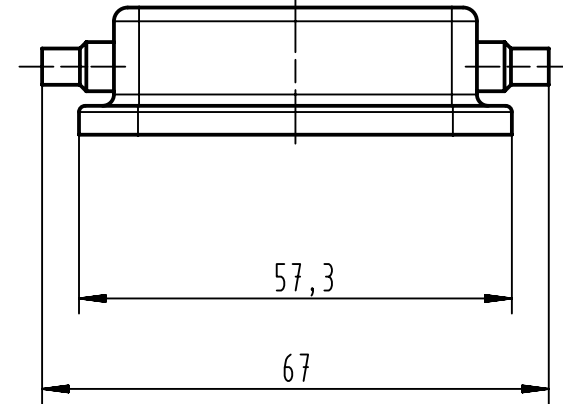
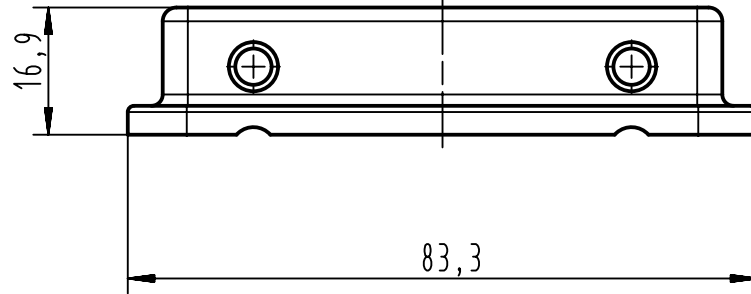
1 2 3 4 5 6

A

B

C

D



Coating	A=	mm <sup>2</sup>	V=	mm <sup>3</sup>	m=	g	Mat.
All Dimensions in mm Original Size DIN A4	Scale	Free size tol.				Ref.	
	1:1					Sub.	
All rights reserved Department EL PD - DE	Created by	Inspected by	Standardisation	Date	State		
	GRUBES	SCHLEPP	SCHMIDTM	2012-08-01	Final Release		
HARTING Electric GmbH & Co. KG D-32339 Espelkamp		Title				Doc-Key / ECM-Nr.	
		Dust protection cover Han 32A for Han-EL				100508752/UGD/001/A	
		Type	Number		Rev.	Page	
		TB	09 20 032 5405		A	1/1	