

REVISIONS						
P	F	ZONE	LTR	DESCRIPTION	DATE	APPROVED
✓	✓		G1	REVISED PER ECO-11-005294	11APR11	HMR

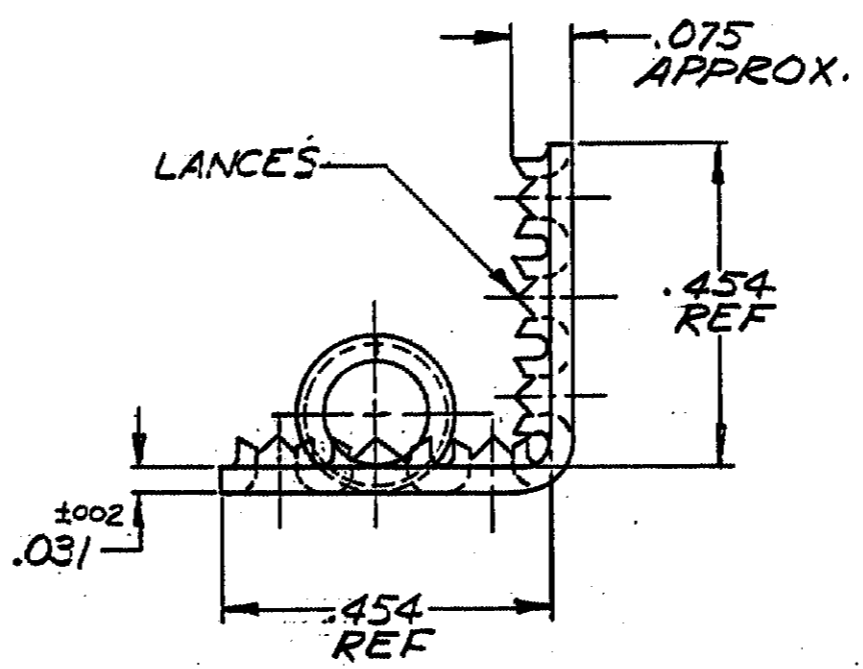
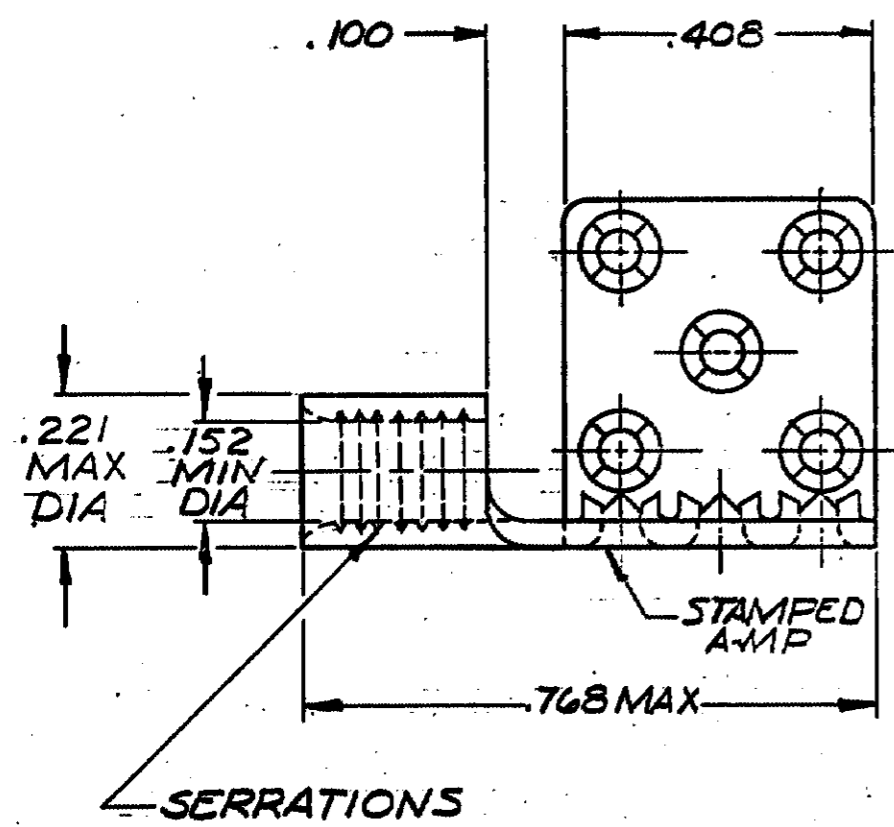


TABLE I

COPPER (QQ-C-576) ANNEALED FINISH: SEE TABLE II	2-329254-4 329254
MATERIAL & FINISH	PART NO

TABLE II

2-329254-4	TIN PL (MIL-T-10727)
329254	BRIGHT NICKEL PL (QQ-N-290).0002MIN EXT. THK
PART NO.	FINISH

UNLESS OTHERWISE SPECIFIED DIMENSIONS ARE IN INCHES. TOLERANCES ON: DECIMALS ±.008 ANGLES ± 5°	CONTRACT NO	TE Connectivity	
	DR	NAME WIRE TERMINAL TERMI-FOIL-SOLISTRAND-DOUBLE FACE WIRE SIZE 12-10	
	CHK	SIZE B	CODE IDENT NO 00779
	APPD	NUMBER 329254	SCALE 4:1
MATERIAL SEE TABLE I	DSGN APPD	SHEET 1 OF 1	
FINISH SEE TABLE I	OTHER APPD		