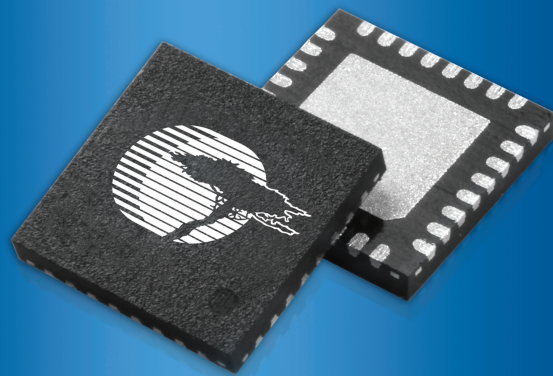


Ultra Low Power Buck Power Management IC for Solar and Vibrations Energy Harvesting MB39C811



Ultra Low Power Management, For Battery-less Sensor Nodes

MB39C811 integrates dual full wave bridge rectifier with low loss high efficiency buck convertor for energy harvesting, and provide complete solution optimized for high output impedance energy sources such as piezoelectric transducers.

MB39C811 has 8 preset output voltage as 1.5V, 1.8V, 2.5V, 3.3V, 3.6V, 4.1V, 4.5V and 5.0V and also covers the continuous output current up to 100mA.

Feature

- Input Quiescent Current:
 - 1.5uA (Output in Regulation-No Load)
 - 550nA (VIN=2.5V in UVLO)
- Integrated Dual Full Wave Bridge Rectifiers
- Input Voltage Range: 2.6V to 23V
- Preset Output Voltages:
 - 1.5V, 1.8V, 2.5V, 3.3V, 3.6V, 4.1V, 4.5V, 5.0V
- Output Current: Up to 100mA
- Input Protective Shunt:
 - VIN<21V, Up to 100mA Pull-Down
- Power good output signal at input and output voltage
- QFN40: 6.0mm x 6.0mm x 0.85mm (Pin pitch 0.5mm)

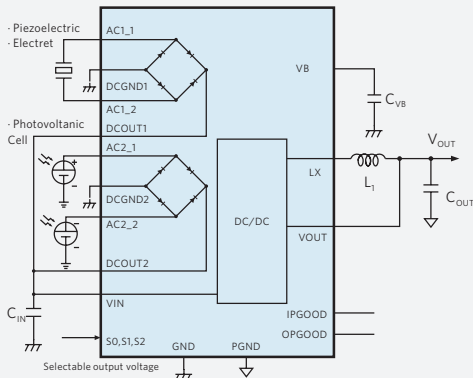
Item	Conditions	Min	Typ	Max	Unit
Input Voltage	VIN	2.6	–	23	V
Output Voltage Select	S[2:0]=0h-7h	1.5	–	5.0	V
Quiescent Current	VIN=2.5V(UVLO)	–	550	775	nA
	VIN=4.5V(Sleep mode)	–	1.5	2.25	uA
	VIN=18V(Sleep mode)	–	1.9	2.85	uA
Operating Ambient Temperature	Ta	-40	–	+85	°C

Note: Green IT Award is an Japanese Prize.

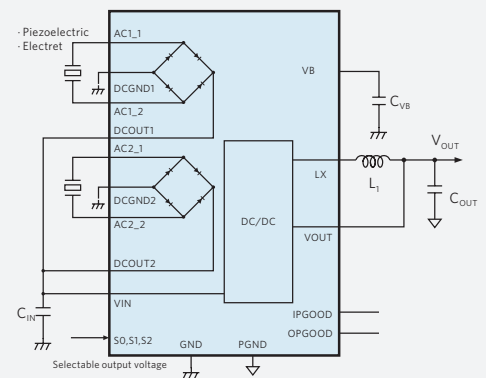


Green IT Promotion Council
Chairman's Awards

Block diagram

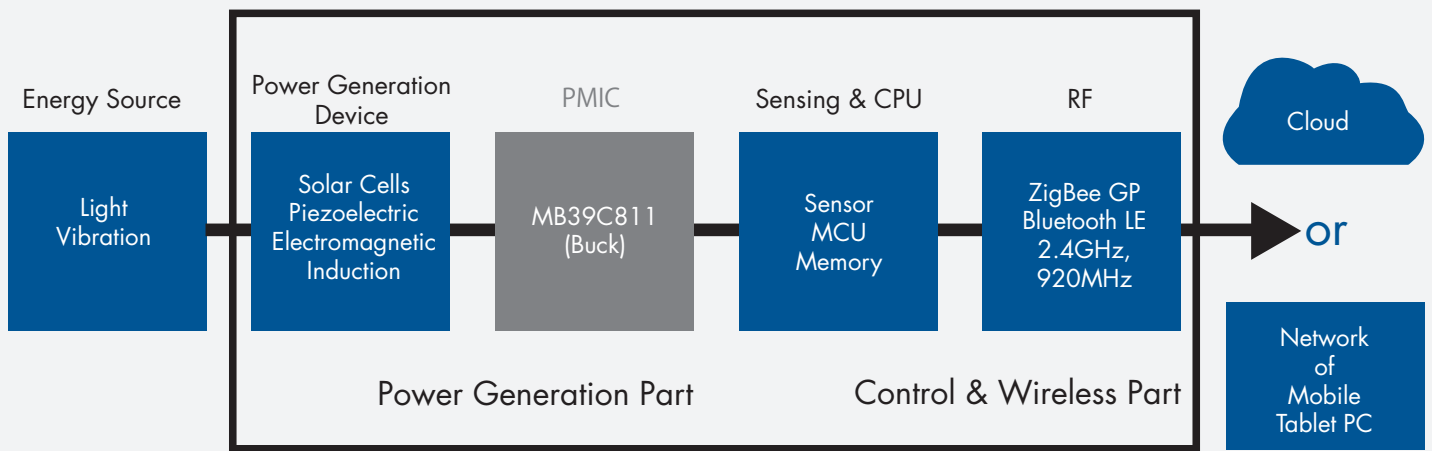


Power source: Power generator from vibrations + solar-cells



Power source: Power generator from vibrations

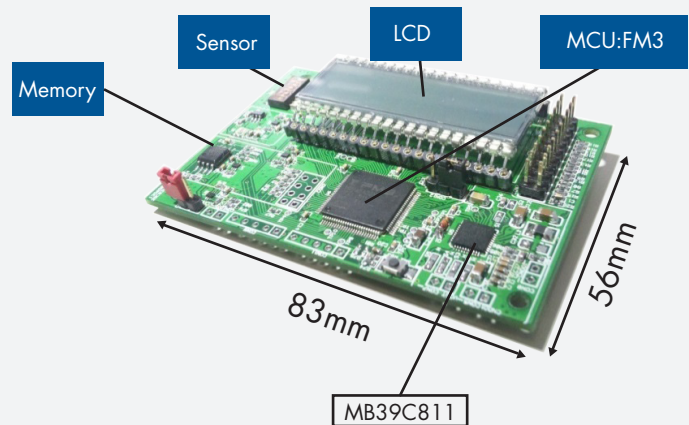
System diagram



Application

- Light Energy Harvesting
- Piezoelectric Energy Harvesting
- Electro-Mechanical Energy Harvesting
- Wireless HVAC Sensors
- Standalone Nanopower Buck Regulator

Starter kit



Web design simulation service



URL: <http://www.cypress.com/easy-design-sim>

Cypress Semiconductor Corporation

198 Champion Court, San Jose CA 95134
 phone +1 408.943.2600 fax +1 408.943.6848
 toll free +1 800.858.1810 (U.S. only) Press "1" to reach your local sales representative

© 2013-2016 Cypress Semiconductor Corporation. All rights reserved. All other trademarks are the property of their respective owners.
 Doc# 002-08877 Rev*A

