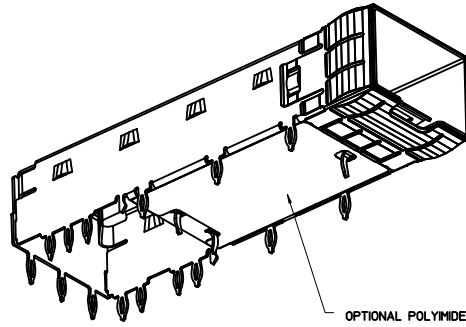
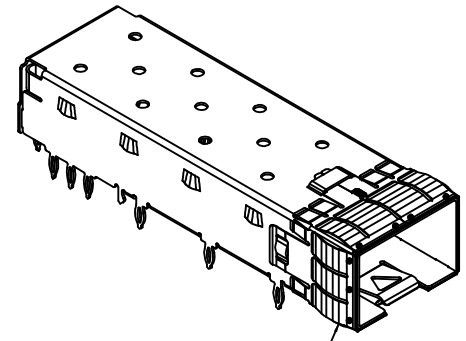


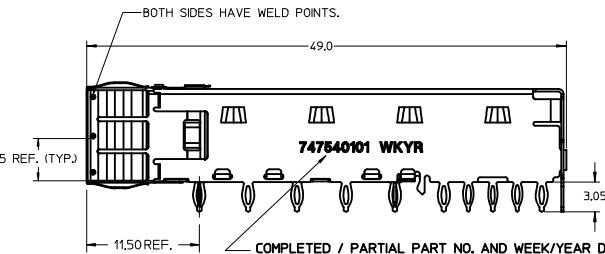
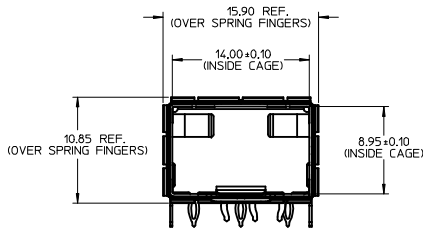
WELD POINTS AS SMALL AS POSSIBLE.  
THE PITCH OF TWO WELD POINTS IS 9MM MAX.



OPTIONAL POLYIMIDE INSULATOR  
ATTACHED TO BOTTOM OF CAGE  
MATERIAL NUMBER 747540163  
REFERENCE



EMI SPRING FINGER



COMPLETED / PARTIAL PART NO. AND WEEK/YEAR DATE  
CODE TO BE PRINTED / STAMPED ON THE SIDE OF  
COMPLETED CAGE ASSEMBLY APPROXIMATELY AS SHOWN.

SFP+ 1X1 CAGE				
PART NO.	POLYIMIDE INSULATOR	WELD POINT QUANTITY	PACKAGING	PLATING
747540101	---	NO	TRAY	NICKEL
747540108	---	YES	TRAY	NICKEL
747540132	---	NO	TRAY	NICKEL
747540133	---	NO	TRAY	MATT-TIN
747541101	YES	NO	TRAY	NICKEL
747548101	---	NO	TAPE & REEL	NICKEL

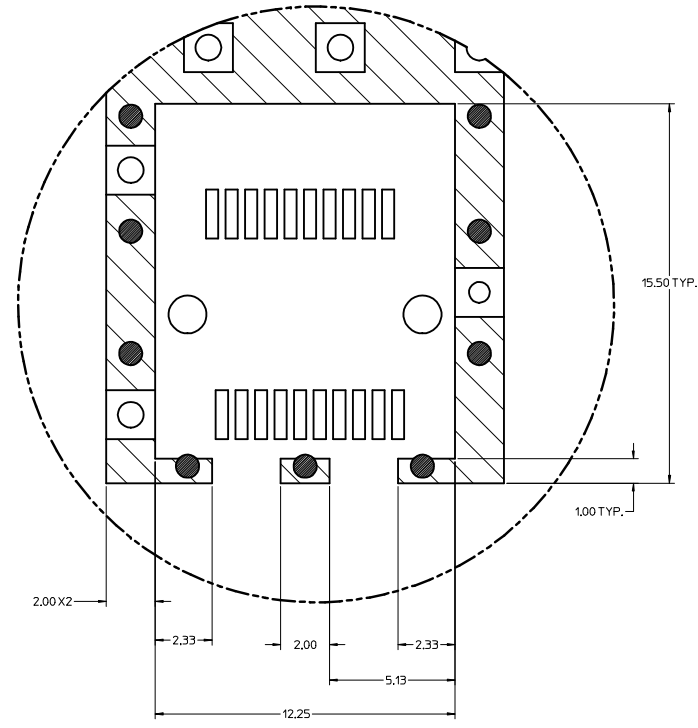
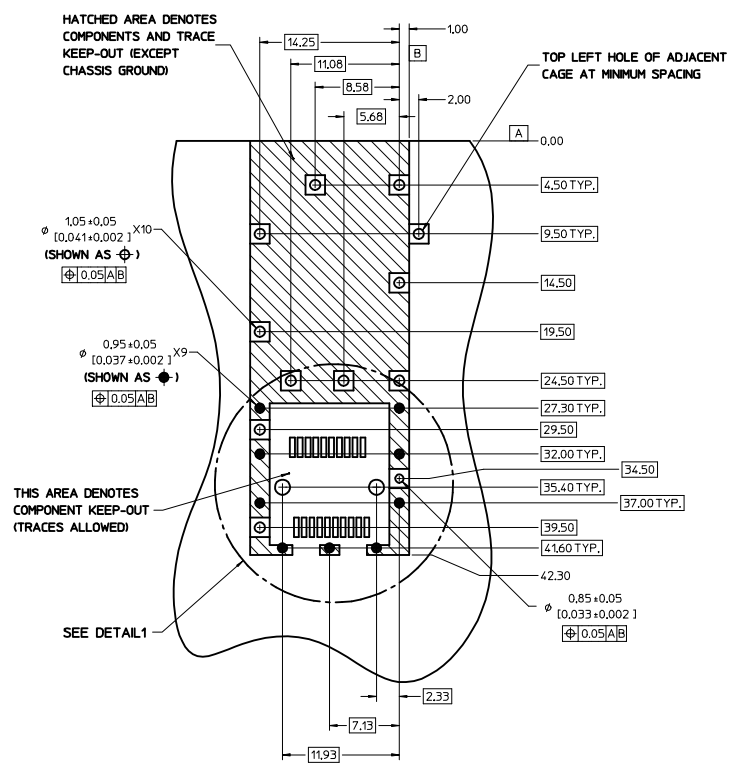
WEEK/YEAR DATE CODE TABLE	
WK	01 THRU 52 OR 53 EXAMPLE: 01 = FIRST WEEK OF YEAR 52 = LAST WEEK OF YEAR
YR	11, 12, 13 ETC. EXAMPLE: YEAR 2013 = 13

NOTES:

- MATERIAL:**  
CAGE: COPPER ALLOY, THICKNESS 0.25mm, PLATING REFER TO TABLE.  
SPRING FINGER: NICKEL PLATED COPPER ALLOY, THICKNESS 0.10mm
- PRESS FIT LEGS 3.05 LONG -  
1.57 MINIMUM PCB THICKNESS FOR SINGLE SIDED USE
- OPTIONAL LIGHT PIPE ASSEMBLY AVAILABLE
- PORTS ARE DESIGNED FOR SFP+ TRANSCEIVERS AND ARE BACKWARDS  
COMPATIBLE WITH SFP TRANSCEIVERS
- NO RoHS EXEMPTIONS

<b>SEE REVISION TABLE</b> IEC NO: CPG2015-4491 DRAWN: LUTZ CHKD: APPR: RCHEN08 REV: J DESCRIPTION: 2015/02/26	QUALITY SYMBOLS ∇=0 ∇=0 ∇=0	GENERAL TOLERANCES (UNLESS SPECIFIED) mm INCH 4 PLACES ± --- ± --- 3 PLACES ± --- ± --- 2 PLACES ± 0.13 ± --- 1 PLACE ± 0.25 ± --- 0 PLACE ± ±	DIMENSION STYLE MM ONLY SCALE 4:1 DESIGN UNITS METRIC THIRD ANGLE PROJECTION	DRAWN BY DATE PSYTSMA 07/05/31 CHECKED BY DATE RMAHMOOD 07/05/31 APPROVED BY DATE BRUSSELL 07/05/31	TITLE SFP+ 1X1 CAGE ASSY, PRESS FIT, WITH EMI SPRING FINGERS <b>molex</b>
	DRAFT WHERE APPLICABLE MUST REMAIN WITHIN DIMENSIONS		MATERIAL NO: SEE CHART	DOCUMENT NO: SD-74754-0101	SHEET NO: 1 OF 5
	THIS DRAWING CONTAINS INFORMATION THAT IS PROPRIETARY TO MOLEX INCORPORATED AND SHOULD NOT BE USED WITHOUT WRITTEN PERMISSION				
	SIZE D				

# PCB LAYOUT FOR SINGLE SIDE MOUNT



DETAIL1  
SCALE 10:1  
HOST CONNECTOR DETAIL

- NOTES:**
- PADS AND VIAS CONNECT TO CHASSIS GROUND (RECOMMEND PADS TO BE 2.00mm SQUARE)
  - RECOMMENDED THRU HOLE PLATING INCLUDES HASL, OSP, OR IMMERSION (GOLD, SILVER, OR TIN).
  - CONNECTOR PAD LAYOUT PER SFP+ MSA WILL ACCOMMODATE MOLEX CONNECTOR SERIES 74441 OR EQUIVALENT.

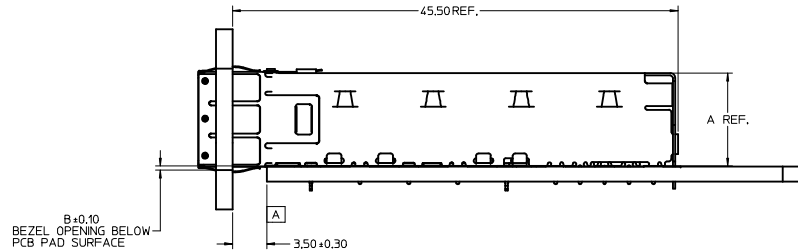
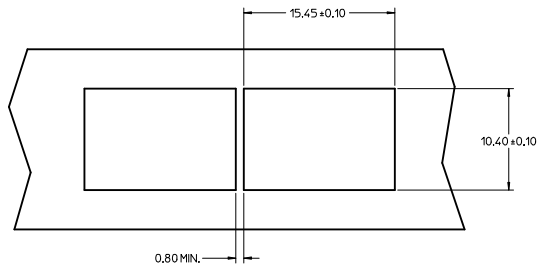
<b>SEE REVISION TABLE</b> EC NO: CPG2015-4491 DRAWN: LUCO CHKD: APPR: RCHEN08 2015/02/26	QUALITY SYMBOLS	GENERAL TOLERANCES (UNLESS SPECIFIED)	DIMENSION STYLE	SCALE	DESIGN UNITS	THIRD ANGLE PROJECTION
	▽=0	mm INCH	MM ONLY	4:1	METRIC	☉
	▽=0	4 PLACES ±0.13	DRAWN BY DATE			
	▽=0	3 PLACES ±0.25	CHECKED BY DATE			
		ANGULAR ±1/2°	APPROVED BY DATE			
		DRAFT WHERE APPLICABLE MUST REMAIN WITHIN DIMENSIONS	MATERIAL NO.	DATE	DOCUMENT NO.	
			SEE CHART	07/05/31	SD-74754-0101	
			SIZE D			

TITLE: SFP+ 1X1 CAGE ASSY, PRESS FIT, WITH EMI SPRING FINGERS



SHEET NO. 2 OF 5

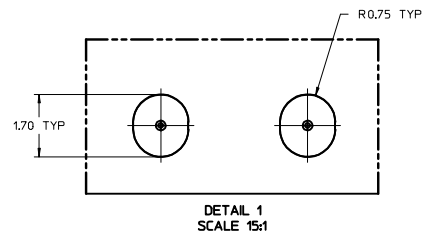
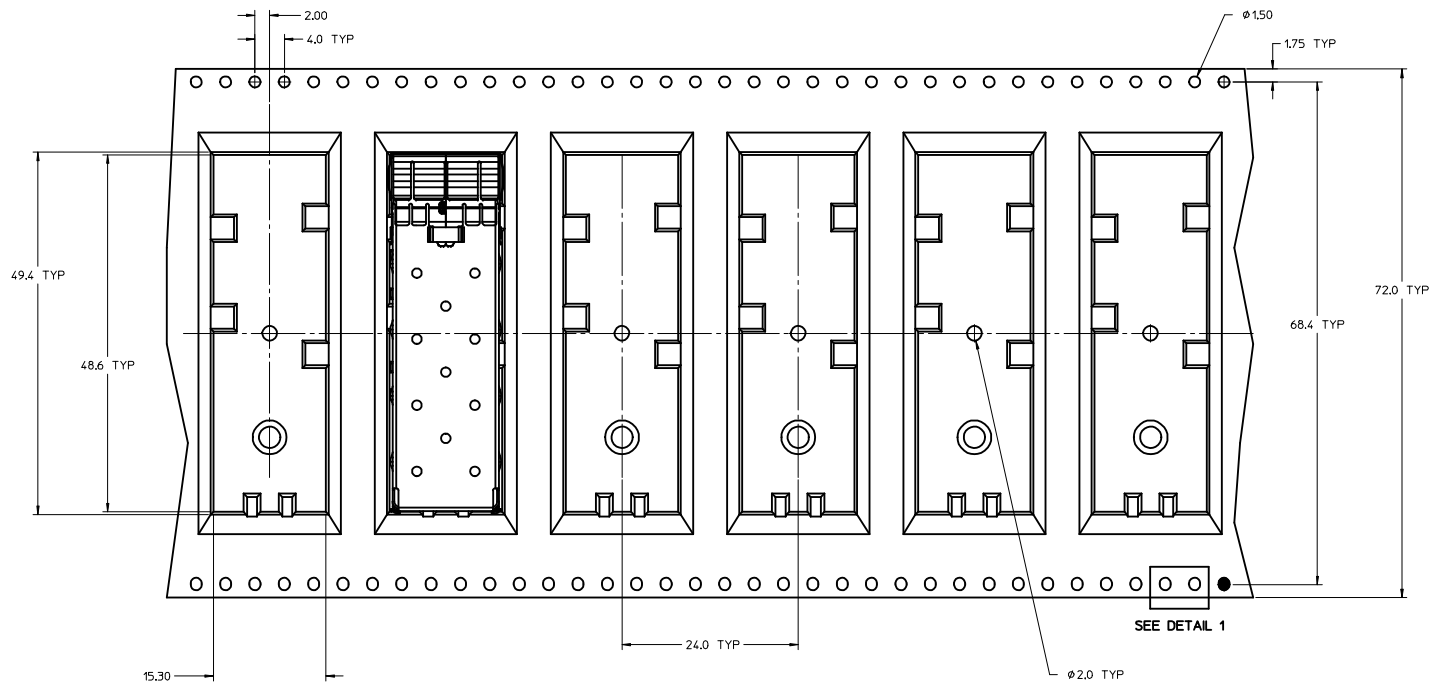
BEZEL AND BOARD POSITION DIMENSIONS FOR SINGLE SIDE MOUNTING  
(SPRING FINGER)



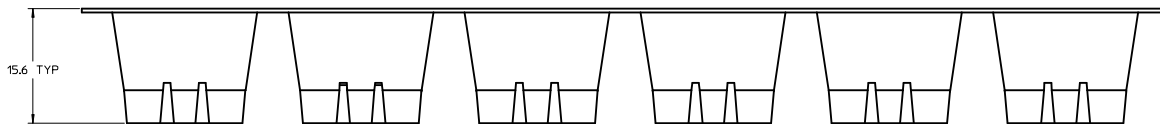
SFP+ 1X1 CAGE		
PART NO.	DIM A	DIM B
747540101	9.47	0.43
747540108	9.47	0.43
747540132	9.65	0.25
747540133	9.65	0.25
747541101	9.47	0.43
747548101	9.47	0.43

<b>SEE REVISION TABLE</b> EC NO: CPG2015-4491 DRAWN BY: J CHKD: DRWNLU20 APPR: RCHEN08 2015/02/26	QUALITY SYMBOLS ∇=0 ∇=0 ∇=0	GENERAL TOLERANCES (UNLESS SPECIFIED) DIM mm INCH 4 PLACES ± --- ± --- 3 PLACES ± --- ± --- 2 PLACES ± 0.13 ± --- 1 PLACE ± 0.25 ± --- 0 PLACE ± ± --- ANGULAR ± 1/2° DRAFT WHERE APPLICABLE MUST REMAIN WITHIN DIMENSIONS	DIMENSION STYLE MM ONLY SCALE 4:1 DESIGN UNITS METRIC THIRD ANGLE PROJECTION	DRAWN BY PSYTSMA DATE 07/05/31 CHECKED BY DATE RMAHMOOD 07/05/31 APPROVED BY DATE BRUSSELL 07/05/31	TITLE SFP+ 1X1 CAGE ASSY, PRESS FIT. WITH EMI SPRING FINGERS <b>molex</b> DOCUMENT NO. SD-74754-0101 SHEET NO. 3 OF 5
	MATERIAL NO. SEE CHART		THIS DRAWING CONTAINS INFORMATION THAT IS PROPRIETARY TO MOLEX INCORPORATED AND SHOULD NOT BE USED WITHOUT WRITTEN PERMISSION		
	SIZE D		INCORPORATED AND SHOULD NOT BE USED WITHOUT WRITTEN PERMISSION		
	SEE REVISION TABLE		INCORPORATED AND SHOULD NOT BE USED WITHOUT WRITTEN PERMISSION		

20 19 18 17 16 15 14 13 12 11 10 9 8 7 6 5 4 3 2 1



TAPE FEED DIRECTION →



<b>SEE REVISION TABLE</b> IEC NO: CPG2015-4491 DRAWN BY: J CHYK: DRWNLU20 APPR: RCHEN08 2015/02/25 2015/02/26	QUALITY SYMBOLS	GENERAL TOLERANCES (UNLESS SPECIFIED)	DIMENSION STYLE	SCALE	DESIGN UNITS	THIRD ANGLE PROJECTION
	▽=0	mm INCH	MM ONLY	1:1	METRIC	☉
	▽=0	4 PLACES ± --- ± ---	DRAWN BY DATE	PSYTSMA 07/05/31	TITLE	
	▽=0	3 PLACES ± --- ± ---	CHECKED BY DATE	RMAMHOOD 07/05/31	SFP+ 1X1 CAGE ASSY, PRESS FIT, WITH EMI SPRING FINGERS	
	ANGULAR ±1/2°	DRAFT WHERE APPLICABLE MUST REMAIN WITHIN DIMENSIONS	MATERIAL NO.	DOCUMENT NO.	SHEET NO.	
	SEE CHART		SD-74754-0101	SD-74754-0101	4 OF 5	
			THIS DRAWING CONTAINS INFORMATION THAT IS PROPRIETARY TO MOLEX INCORPORATED AND SHOULD NOT BE USED WITHOUT WRITTEN PERMISSION			

19 18 17 16 15 14 13 12 11 10 9 8 7 6 5 4 3 2 1

DATE	REV	DESCRIPTION
2014/01/10	E	1. ADDED P/N: 747541101. [SHT 1] 2. ADDED P/N: 747540108. [SHT 1] 3. ADDED REV HISTORY LIST. [SHT 5]
2014/02/24	F	1. ADDED P/N: 747540132 & 747540133 [SHT 1] [SHT 3] REMOVE NOTE 6 [SHT 1]
2014/07/04	G	1. REVISED 747540132 & 747540133 DIM B FROM 0.40 TO 0.25.[SHEET 3]
2014/09/11	H	1. ADDED DIMENSION * 11.50 REF. * ØD14. [SHEET 1]
2015/02/25	J	1. P/N DESCRIPTION CHANGED AS *COMPLETED / PARTIAL PART NO. AND WEEK/YEAR DATE CODE TO BE PRINTED / STAMPED ON THE SIDE OF COMPLETED CAGE ASSEMBLY APPROXIMATELY AS SHOWN.* [SHEET 1]

<b>SEE REVISION TABLE</b> IEC NO: CPG2015-4491 DRAWN BY: J CHKD: J APPR: RCHEN08 2015/02/25	QUALITY SYMBOLS	GENERAL TOLERANCES (UNLESS SPECIFIED)	DIMENSION STYLE	SCALE	DESIGN UNITS	THIRD ANGLE PROJECTION
	▽=0	mm INCH	MM ONLY	1:1	METRIC	☉
	▽=0	4 PLACES ± --- ± --- 3 PLACES ± --- ± --- 2 PLACES ± 0.13 ± --- 1 PLACE ± 0.25 ± --- 0 PLACE ± ±	DRAWN BY DATE PSYTSMA 07/05/13 CHECKED BY DATE RMAHMOOD 07/05/13 APPROVED BY DATE BRUSSELL 07/05/13	TITLE	SFP+ 1X1 CAGE ASSY, PRESS FIT, WITH EMI SPRING FINGERS	
	▽=0	ANGULAR ±1/2° DRAFT WHERE APPLICABLE MUST REMAIN WITHIN DIMENSIONS	MATERIAL NO. SEE CHART	DOCUMENT NO. SD-74754-0101	SHEET NO. 5 OF 5	

