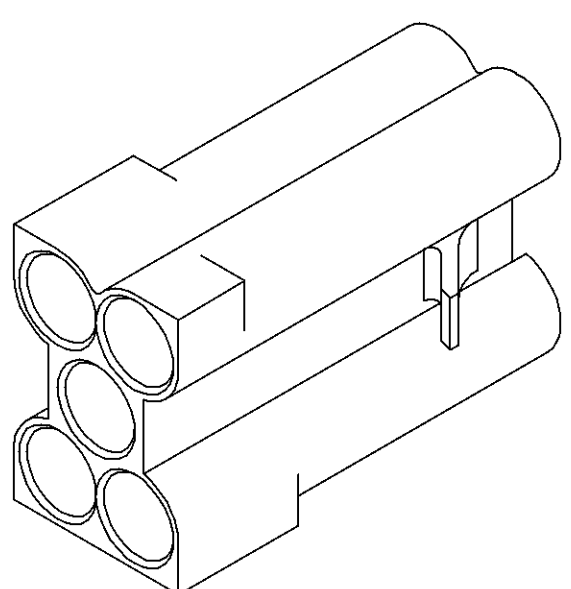
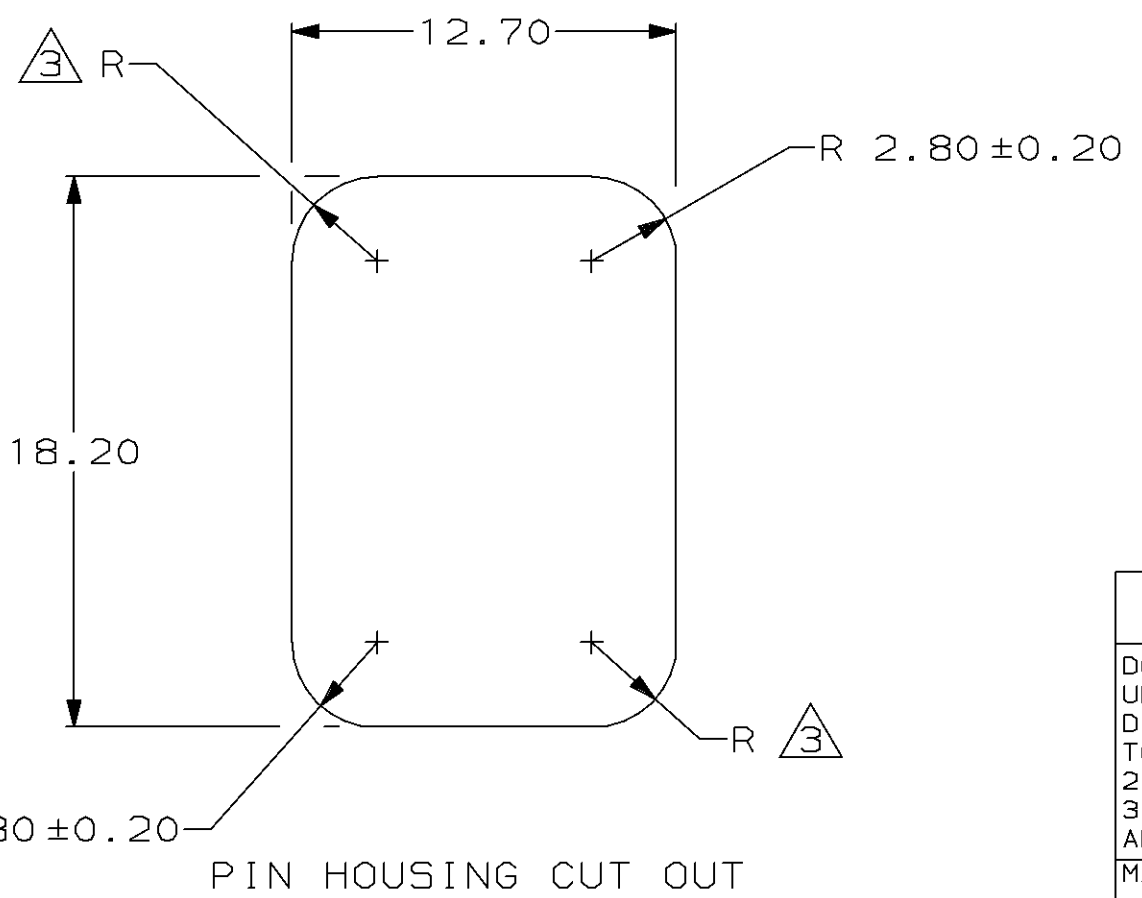
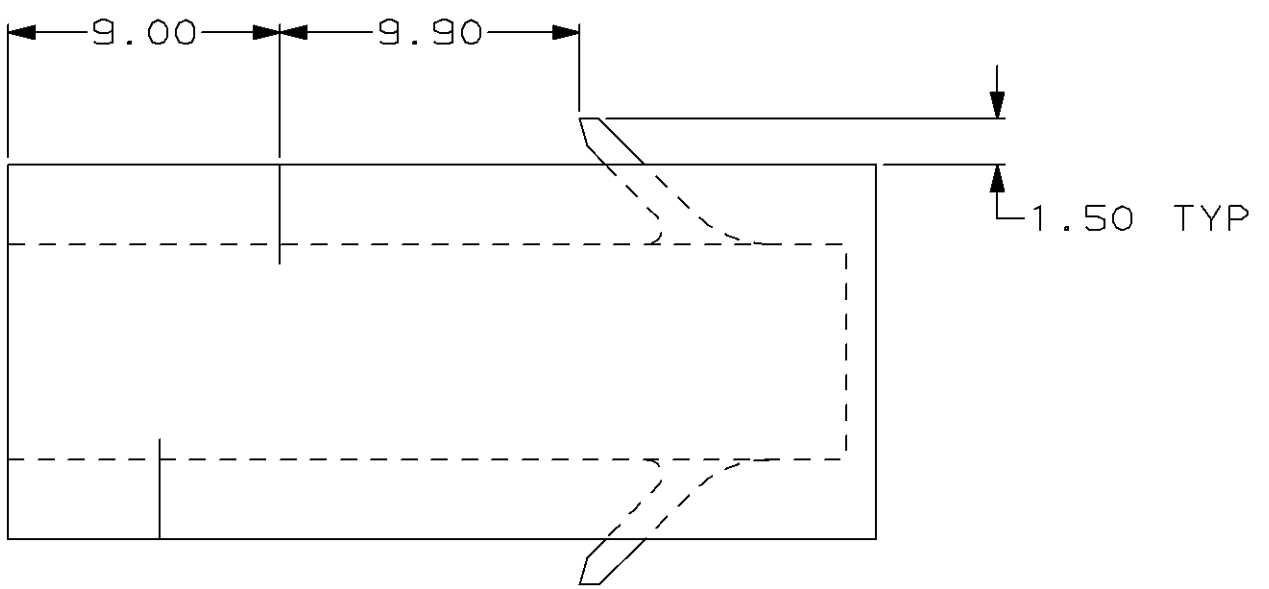
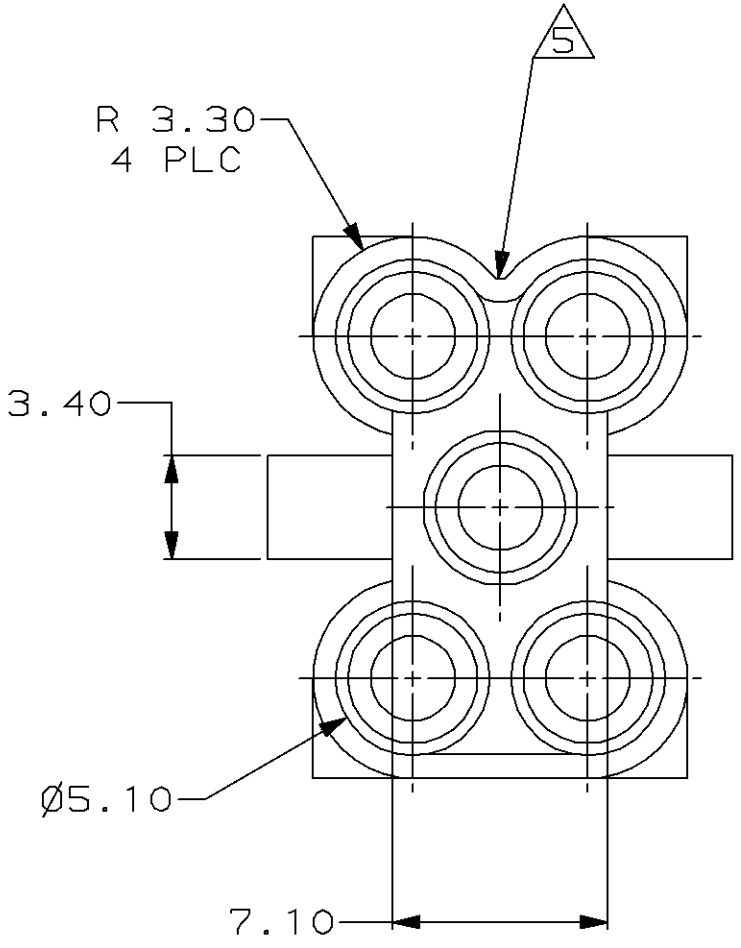
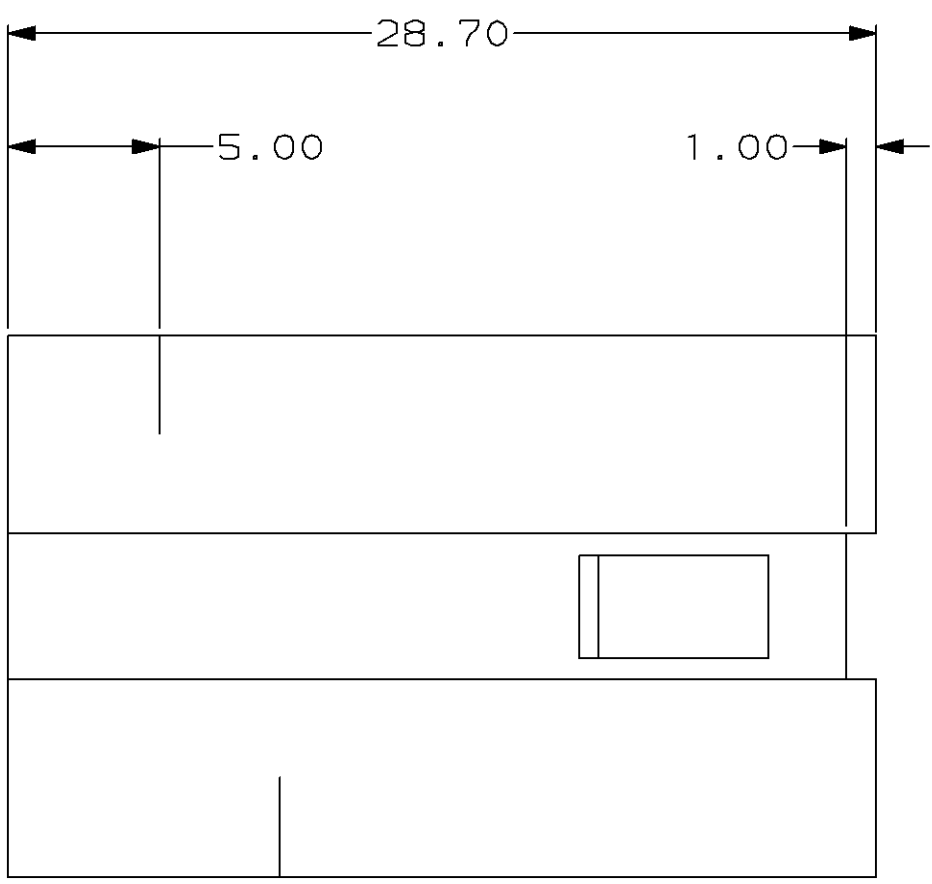
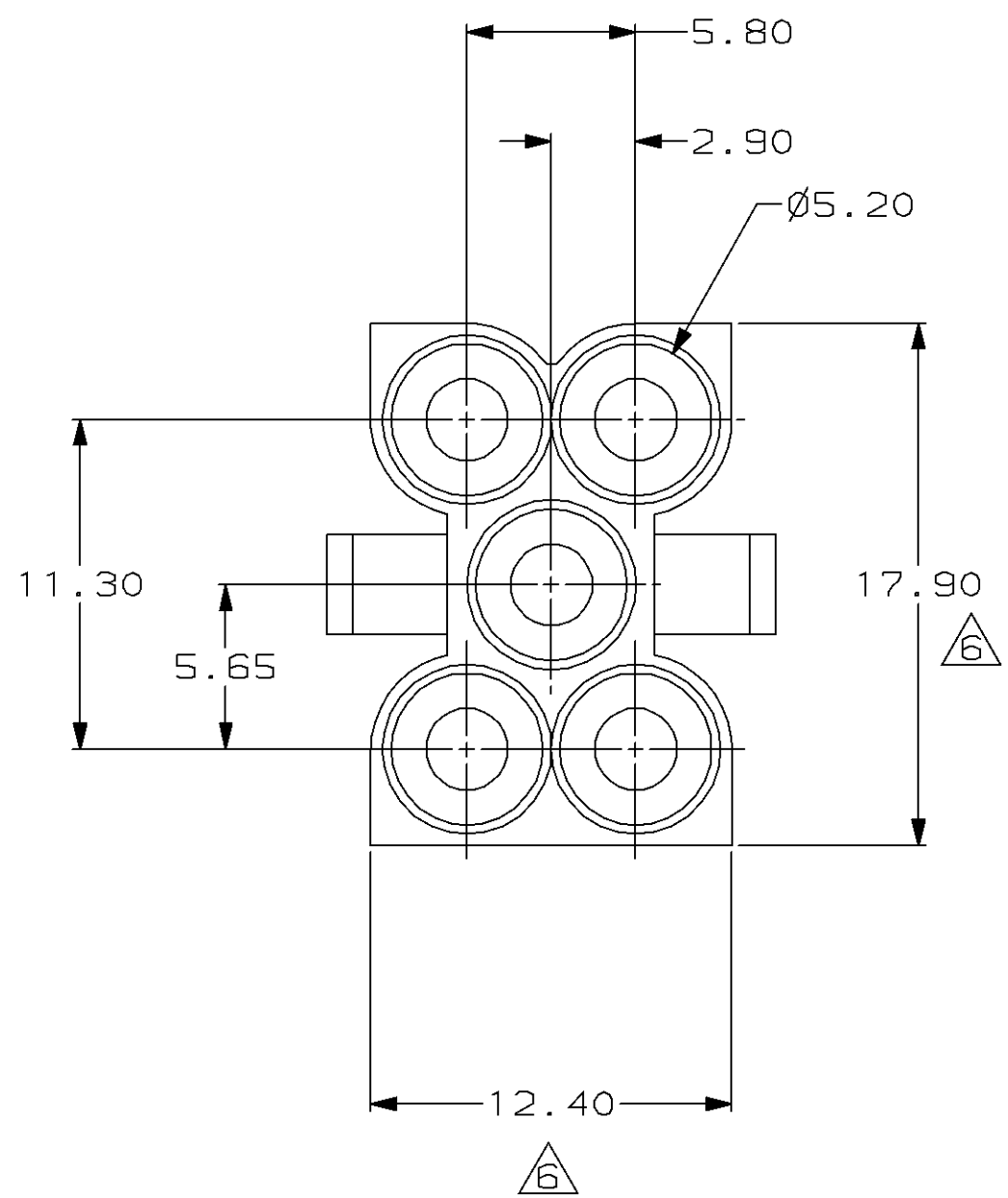


LOC		DIST		REVISIONS				DATE	APPD
CM	53	P	F	ZONE	LTR	DESCRIPTION			
					E	REV PER ECN CM-3994	12-18-92	NG	



THIS HOUSING TO BE INSTALLED IN SUBBASE

METRIC

THIS DRAWING IS A CONTROLLED DOCUMENT FOR AMP INCORPORATED. IT IS SUBJECT TO CHANGE AND THE CONTROLLING ENGINEERING ORGANIZATION SHOULD BE CONTACTED FOR THE LATEST REVISION.

- ACCEPTS MATE-N-LOK™ PIN 350218 IN CORNER CIRCUITS, AND GROUND PIN 350654 IN CENTER CIRCUIT.
 - CENTER GROUND PIN RECESSED 1.50 MIN AT MATING END; 3.10 MIN. AT BACK END. OTHER 4 PINS RECESSED 3.30 MIN AT MATING END; 3.80 MIN AT BACK END.
 - FOR SUB-BASES 1, 2, OR 3 RADII TO BE 0.20 MAX. FOR SUB-BASES 4, 5, OR 6 RADII TO BE 2.80 ± 0.20.
 - CAUTION: THIS CONNECTOR IS NOT POLARIZED. IT HAS BEEN DESIGNED IN ACCORDANCE WITH THE INTERNATIONAL ORGANIZATION FOR STANDARDIZATION DESIGN DEPICTED IN DOCUMENT 5599/III DATED 4-27-77 UNDER RESOLUTION 59 OF ISO/TC 131/SC5/WG 3. INTENDED USE IS AS SHOWN IN FIGURE 1-1.
- △ 5 VISUAL POLARIZING FEATURE.
- △ 6 DIMENSION INDICATED IS AS MOLDED. ADDITIONAL GROWTH DUE TO SUBSEQUENT MOISTURE ABSORPTION MAY OCCUR.

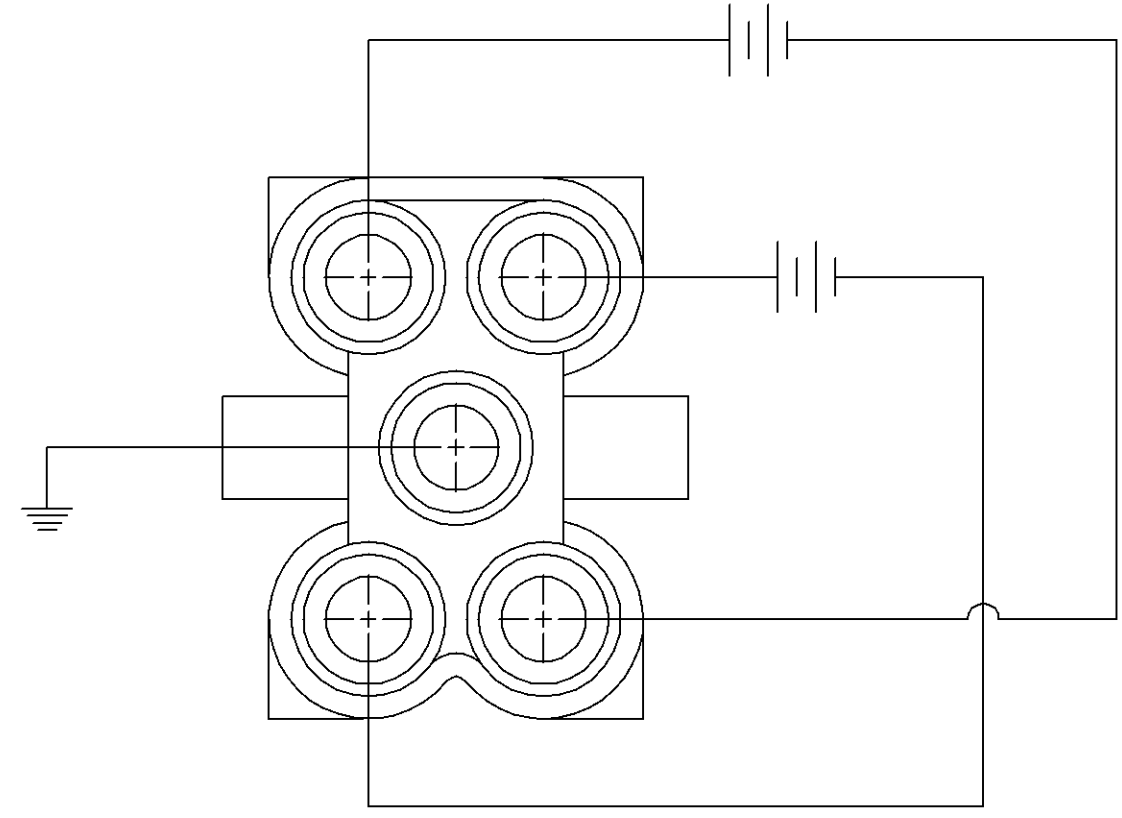


FIGURE 1-1

1-640405-0

PART NO

AMP AMP Incorporated
Harrisburg, PA 17105-3608

NAME
VALVE CONNECTOR,
PIN HOUSING, 5 CIRCUIT,
UNIVERSAL MATE-N-LOK™

DO NOT SCALE PRINT. UNLESS SPECIFIED DIMENSIONS IN mm [INCHES] TOLERANCES ON: 2 PLC DEC ± 0.10 3 PLC DEC ± - ANGLES ± -	DR 11-30-92 K. WHITAKER CHK 11-30-92 R. SWING APPD 12-11-92 D. SELF
MATERIAL NYLON, UL 94V-2 NATURAL	APPD 12-11-92 D. SELF PRODUCT SPEC -
FINISH -	APPLICATION SPEC -
WEIGHT -	

SIZE ③	CAGE CODE 00779	DRAWING NO ③=640405
SCALE 4:1	SHEET 1 OF 1	

CUSTOMER DRAWING