

Technical specification :

Rated voltage: IEC 61076-2-104	60 V
Current rating: IEC 61076-2-104	3 A at 40°C
Insulation resistance: IEC 60512	>=100 MΩ
Pollution degree: IEC 60664-1	3/2
Degree of protection: IEC 60529	IP 67, in mated condition
Temperature range: IEC 60664-1	-30°C ... +80°C
Mating cycles: IEC 60512-9a	>=100

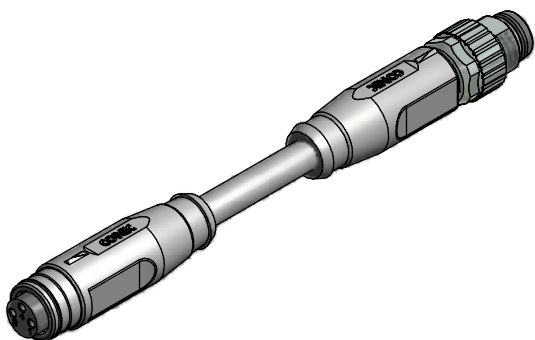
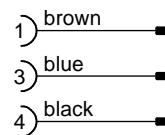
Materials:

Contact:	CuZn
Contact plating:	Nickel, gold plated
Contact carrier:	TPU GF, UL 94
Coupling screw:	GD-Zn, nickel plated
Moulding body:	TPU, UL 94, grey

Installation specification:

Recommended torque:	0,4 Nm
Conec installation tool:	Torque wrench: 36-000200 Insert across flats 9: 36-000210

Contact assignment:



Part no:	Description:	Length L:	Cable:
42-10173	SAL - 8 - RKS3 - RSU3 - 0,3 / A1	0,3m	PVC, grey, 3x0,25mm ² Cable: 781-A12300
42-10174	SAL - 8 - RKS3 - RSU3 - 0,6 / A1	0,6m	
42-10175	SAL - 8 - RKS3 - RSU3 - 1,5 / A1	1,5m	
42-10176	SAL - 8 - RKS3 - RSU3 - 3 / A1	3,0m	
42-xxxxx	SAL - 8 - RKS3 - RSU3 - ... / A1	x	

D see data sheet cable

DO NOT ALTER CAD DRAWING BY HAND Directive 2002/95/EC RoHS compliant	Index: a 17.03.11 VF Ä3945 Coupling screw modified, spanner flats added, data sheet modified	dim. in mm <table border="1"> <tr> <td></td> <td>date</td> <td>name</td> </tr> <tr> <td>drawn</td> <td>17.12.07</td> <td>Franz</td> </tr> <tr> <td>appd.</td> <td>17.12.07</td> <td>Mankopf</td> </tr> </table>		date	name	drawn	17.12.07	Franz	appd.	17.12.07	Mankopf	title: Connecting cable, female connector $\varnothing 8$ axial snap - male connector M8x1 axial screw/ snap dwg no:
			date	name								
	drawn	17.12.07	Franz									
	appd.	17.12.07	Mankopf									
tolerance of cable: L \leq 4m: L + 40mm L > 4m: L + 1%		42K1A043										
THIS DRAWING MAY NOT BE COPIED OR REPRODUCED IN ANY WAY, AND MAY NOT BE PASSED ON TO A THIRD PARTY WITHOUT WRITTEN PERMISSION. OWNERSHIP AND COPYRIGHT OF CONEC GmbH		part no:	see table									