


SAC-5P-10,0-520/M12FR VA

Order No.: 1564697

<http://eshop.phoenixcontact.de/phoenix/treeViewClick.do?UID=1564697>

Sensor/Actuator cable, 5-position, PVC, Gray RAL 7001, Free conductor end, on Socket, angled M12, A-coded, Cable length: 10 m

Commercial data

| | |
|----------------|--|
| GTIN (EAN) |  4 046356 308809 |
| Note | Made-to-order |
| sales group | D112 |
| Pack | 5 pcs. |
| Customs tariff | 85444290 |

Product notes

WEEE/RoHS-compliant since:
08/16/2007



<http://www.download.phoenixcontact.com>
Please note that the data given here has been taken from the online catalog. For comprehensive information and data, please refer to the user documentation. The General Terms and Conditions of Use apply to Internet downloads.

Technical data

General data

| | |
|-----------------------|------|
| Rated current at 40°C | 4 A |
| Rated voltage | 60 V |
| Number of positions | 5 |
| Length of cable | 10 m |

General characteristics

| | |
|------------------------|--------------|
| Coding | A - standard |
| Surge voltage category | II |
| Pollution degree | 3 |

| | |
|-----------------------------|---|
| Degree of protection | IP65/IP68/IP69K |
| Insertion/withdrawal cycles | ≥ 100 |
| Contact material | CuSn |
| Contact surface material | Ni/Au |
| Contact carrier material | TPU GF |
| Material of grip body | TPU, hardly inflammable, self-extinguishing |
| Material, knurls | High-grade steel |
| Sealing material | NBR |
| Status display | No |

Conductor data

| | |
|------------------------------------|-----------------------------------|
| Cable type | PVC gray |
| Cable abbreviation | LiYY |
| Conductor cross section | 0.34 mm ² |
| AWG signal line | 22 |
| Conductor structure signal line | 42x 0.10 mm |
| Core diameter including insulation | 1.45 mm ±0.02 mm |
| Thickness, insulation | ≥ 0.23 mm (Core insulation) |
| | ≥ 0.76 mm (Outer cable sheath) |
| External cable diameter | 5.90 mm |
| Wire colors | Brown, white, blue, black, gray |
| External sheath, color | Gray RAL 7001 |
| Insulation resistance | ≥ 1 GΩ*km |
| Conductor resistance | ≤ 58 Ω/km |
| Nominal voltage, conductor | 300 V |
| Test voltage, conductor | 3000 V |
| Overall twist | 5 wires around filler to the core |
| Length of twist, overall twist | 55 mm |
| Outer sheath, material | PVC |
| Material, filler | PVC |
| Material conductor insulation | PVC |
| Conductor material | Bare Cu litz wires |
| Cable weight | 54 kg/km |

Certificates / Approvals

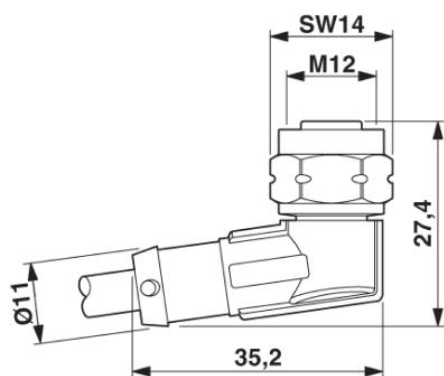


Certification

CUL Listed, UL Listed

Diagrams/Drawings

Dimensioned drawing

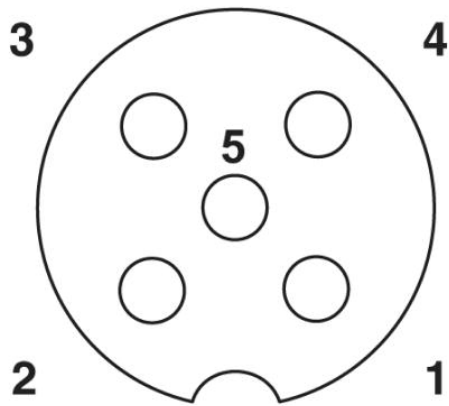


M12 x 1 female connector, angled

Circuit diagram



Schematic diagram



Pin assignment M12 socket, 5-pos., A-coded, socket side view

Address

PHOENIX CONTACT Deutschland GmbH
Flachmarktstr. 8
32825 Blomberg, Germany
Phone +49 5235 3 12000
Fax +49 5235 3 41200
<http://www.phoenixcontact.de>



© 2011 Phoenix Contact
Technical modifications reserved;