

This drawing involves proprietary design rights of Tyco Electronics Corporation, and all design, manufacture, reproduction, use and sale rights regarding the same are expressly reserved. It is submitted for a specific purpose and the recipient by accepting this drawing, assumes custody and control and agrees to take reasonable precautions; (a) that this drawing will not be copied and reproduced, in whole or in part, or its contents revealed in any manner, or to any person except to meet the purpose for which it was delivered and (b) that any special features peculiar to this design will not be incorporated in other projects without the expressed written permission of Tyco Electronics Corporation.

REVISIONS			
EC	REV	DESCRIPTION	DATE
—	A	NEW RELEASE	06/28/05

6. MODULE INFORMATION

CONNECTOR	TYCO PART NUMBER	CATALOG MODULE #	QTY	SIZE NO.	CONTACT QTY	MATING PIN	MAX. CURRENT (PER CONTACT)	CONTACT SPACING	VOLTAGE RATING*	
SOCKET	1766687-1	FP0250	6	8	6	1.25 X 7.00 [.049 X .276]	35 AMPERES	7.50 [L2953]	250 VOLTS	
		FP0254	4	8	4	1.25 X 7.00 [.049 X .276]	35 AMPERES	12.00 [L4724]	600 VOLTS	
		FP0401	2	22	48	.64 [L025] SQ.	3 AMPERES	2.50 [L0984]	125 VOLTS	
		FP0503	2	STRAIGHT GUIDE PIN						
		FP0500	1	LEFT MOUNTING FLANGE						
		FP0501	1	RIGHT MOUNTING FLANGE						

NOTES: UNLESS OTHERWISE SPECIFIED.

1. PART NUMBER CHANGES AND/OR DESIGN CHANGES AFFECTING ITEM INTERCHANGEABILITY REQUIRE PRIOR ELCON APPROVAL AND AUTHORIZATION BY REVISION TO THIS DRAWING.

2. MATERIALS:

INSULATORS: THERMOPLASTIC, GLASS REINFORCED, COLOR-BLACK, UL94V-0 FLAMMABILITY RATED.

COMPLIANT SIGNAL PIN: PHOSPHOR BRONZE ALLOY.

POWER CONTACTS: COPPER ALLOY.

GUIDE PIN: BRASS COPPER ALLOY.

3. FINISHES:

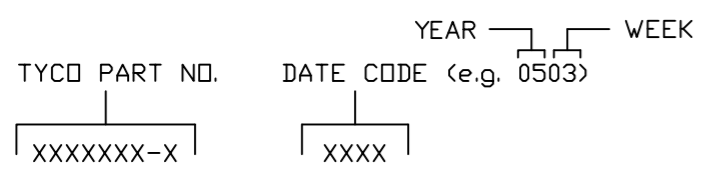
CONTACTS: GOLD PLATED PER MIL-G-45204 TYPE II, CLASS 0, .000030" MIN. THICK OVER NICKEL PER QQ-N-290, CLASS 2, .000040" MIN. THICKNESS.

TERMINALS: TIN PLATED, MATTE FINISH .000040" MIN. THICKNESS.

GUIDE PIN: NICKEL PLATED PER AMS 2404.

4. MOUNTING FLANGES ACCEPT M3 OR NO. 4 SCREWS, (USER SUPPLIED)

5. ITEMS PROVIDED TO THIS SPECIFICATION TO BE PERMANENTLY IDENTIFIED PER THE FOLLOWING IDENTIFIER:

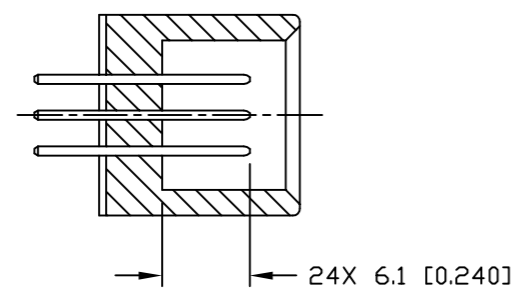
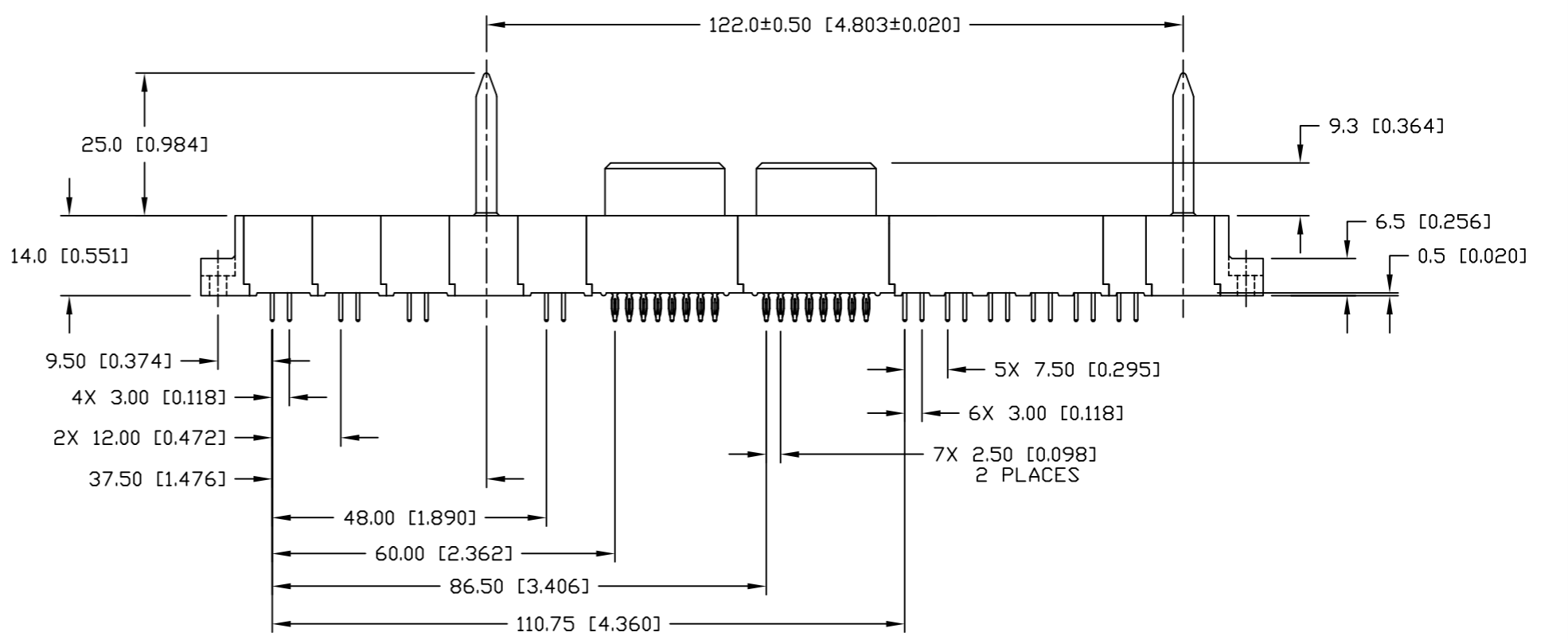
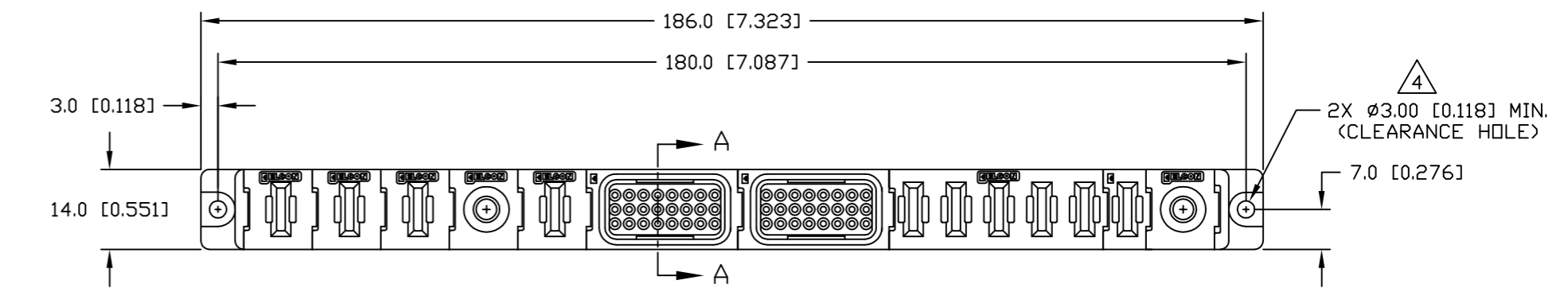
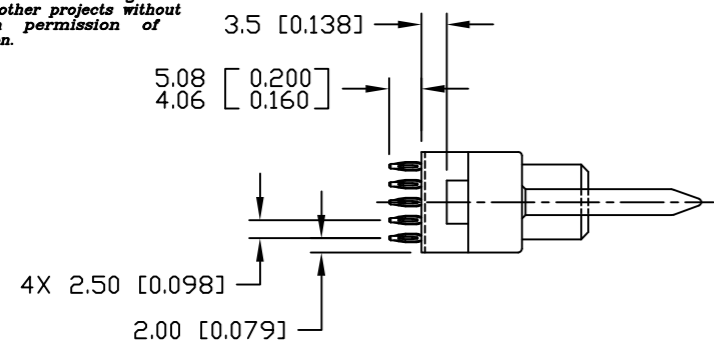


*IAW IEC-950

<p>THIRD ANGLE PROJECTION</p> <p>UNLESS OTHERWISE SPECIFIED DIMENSIONS ARE IN METRIC [INCHES]</p> <p>TOLERANCES</p> <p>ANGLES ± .5°</p> <p>DECIMALS</p> <p>.XX ± .25 [.010]</p> <p>.X ± .5 [.020]</p>	<p>MM OR MM [INCH]</p> <p>INCH</p>	<p>DRAWN</p> <p>R. F. A.</p>	<p>DATE</p> <p>06/03/05</p>	<p>tyco Tyco Electronics Corporation Electronics Menlo Park, Ca 94025</p>	<p>ELCON</p>	
	<p>CHECKED</p>		<p>TITLE</p> <p>CONNECTOR, SOCKET, STRAIGHT COMPLIANT TAILS FLATPAQ</p>			
	<p>APPROVED</p>		<p>APPROVED</p> <p>D. CHAU 06/28/05</p>		<p>SIZE DWG NUMBER</p> <p>B C = 1766687</p>	<p>REV.</p> <p>A</p>
	<p>DCA APPROVED</p> <p>M. ALIM 06/29/05</p>		<p>ACAD FILE NUMBER C1766687A.DWG</p>		<p>DWG SCALE 1=1 SH 1 OF 4</p>	

This drawing involves proprietary design rights of Tyco Electronics Corporation, and all design, manufacture, reproduction, use and sale rights regarding the same are expressly reserved. It is submitted for a specific purpose and the recipient by accepting this drawing, assumes custody and control and agrees to take reasonable precautions; (a) that this drawing will not be copied and reproduced, in whole or in part, or its contents revealed in any manner, or to any person except to meet the purpose for which it was delivered and (b) that any special features peculiar to this design will not be incorporated in other projects without the expressed written permission of Tyco Electronics Corporation.

REVISIONS			
EC	REV	DESCRIPTION	DATE
		SEE SHEET 1	

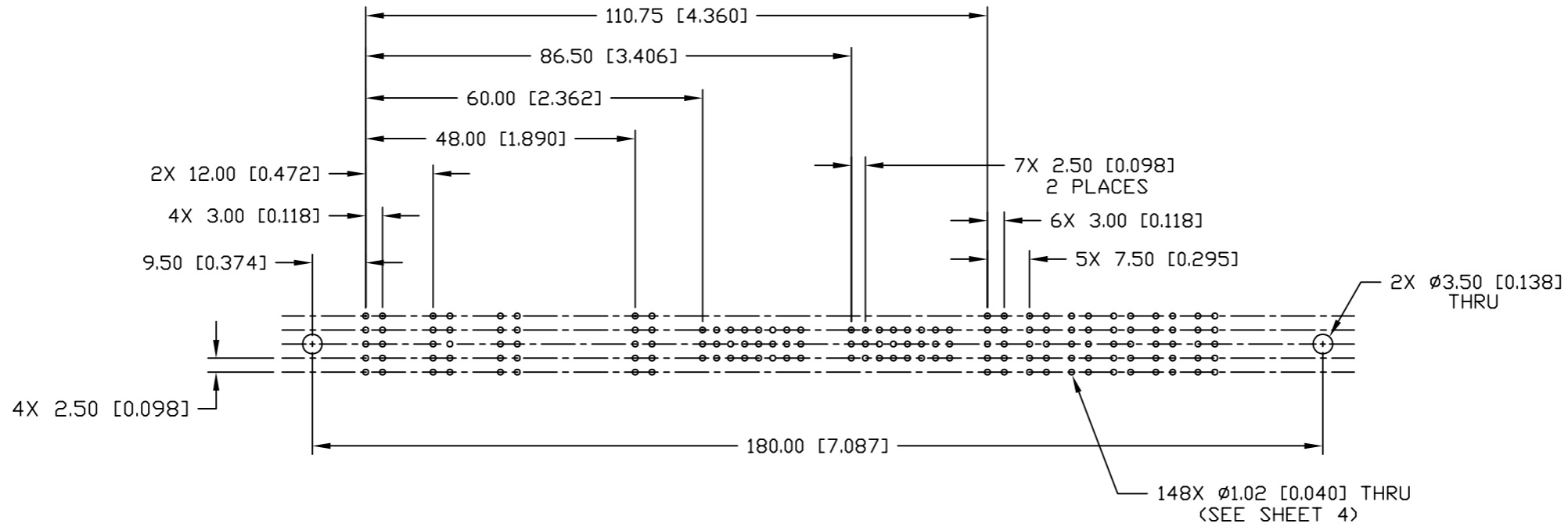


SECTION A-A
2 PLACES
GENDER CHANGER NOT SHOWN FOR CLARITY

← MM OR MM [INCH] THIRD ANGLE PROJECTION UNLESS OTHERWISE SPECIFIED DIMENSIONS ARE IN METRIC [INCHES] TOLERANCES ANGLES ± .5° DECIMALS .XX ± .25 [.010] .X ± .5 [.020]	DRAWN R. F. A. CHECKED	DATE 06/03/05	 Tyco Electronics Corporation Menlo Park, Ca 94025 	TITLE CONNECTOR, SOCKET, STRAIGHT COMPLIANT TAILS FLATPAQ		
	APPROVED	APPROVED D. CHAU 06/28/05				SIZE B
	DCA APPROVED M. ALIM 06/29/05	ACAD FILE NUMBER C1766687A.DWG	DWG SCALE 1 = 1	SH 2 OF 4		

This drawing involves proprietary design rights of Tyco Electronics Corporation, and all design, manufacture, reproduction, use and sale rights regarding the same are expressly reserved. It is submitted for a specific purpose and the recipient by accepting this drawing, assumes custody and control and agrees to take reasonable precautions; (a) that this drawing will not be copied and reproduced, in whole or in part, or its contents revealed in any manner, or to any person except to meet the purpose for which it was delivered and (b) that any special features peculiar to this design will not be incorporated in other projects without the expressed written permission of Tyco Electronics Corporation.

REVISIONS			
EC	REV	DESCRIPTION	DATE
		SEE SHEET 1	

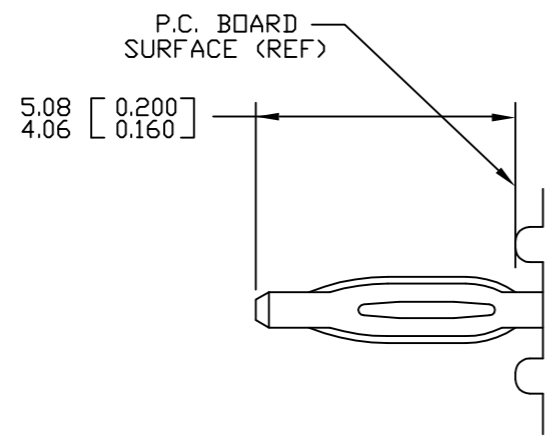


PRINTED CIRCUIT LAYOUT

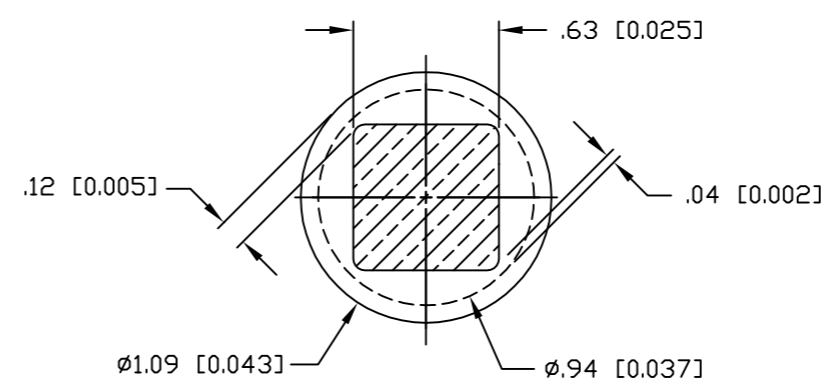
← MM INCH → OR MM [INCH] THIRD ANGLE PROJECTION UNLESS OTHERWISE SPECIFIED DIMENSIONS ARE IN METRIC [INCHES] TOLERANCES ANGLES ± .5° DECIMALS .XX ± .25 [.010] .X ± .5 [.020]	DRAWN R. F. A.	DATE 06/03/05	 Tyco Electronics Corporation Menlo Park, Ca 94025 	
	CHECKED			TITLE CONNECTOR, SOCKET, STRAIGHT COMPLIANT TAILS FLATPAQ
	APPROVED		APPROVED D. CHAU 06/28/05	SIZE B
	APPROVED M. ALIM 06/29/05	ACAD FILE NUMBER C1766687A.DWG	DWG NUMBER C = 1766687	REV. A
			DWG SCALE 1 = 1	
			SH 3 OF 4	

This drawing involves proprietary design rights of Tyco Electronics Corporation, and all design, manufacture, reproduction, use and sale rights regarding the same are expressly reserved. It is submitted for a specific purpose and the recipient by accepting this drawing, assumes custody and control and agrees to take reasonable precautions; (a) that this drawing will not be copied and reproduced, in whole or in part, or its contents revealed in any manner, or to any person except to meet the purpose for which it was delivered and (b) that any special features peculiar to this design will not be incorporated in other projects without the expressed written permission of Tyco Electronics Corporation.

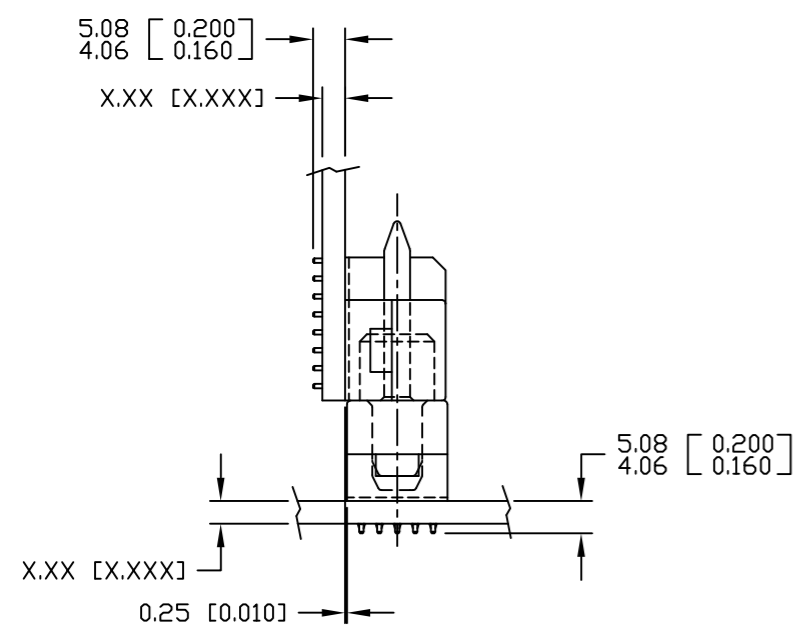
REVISIONS			
EC	REV	DESCRIPTION	DATE
		SEE SHEET 1	



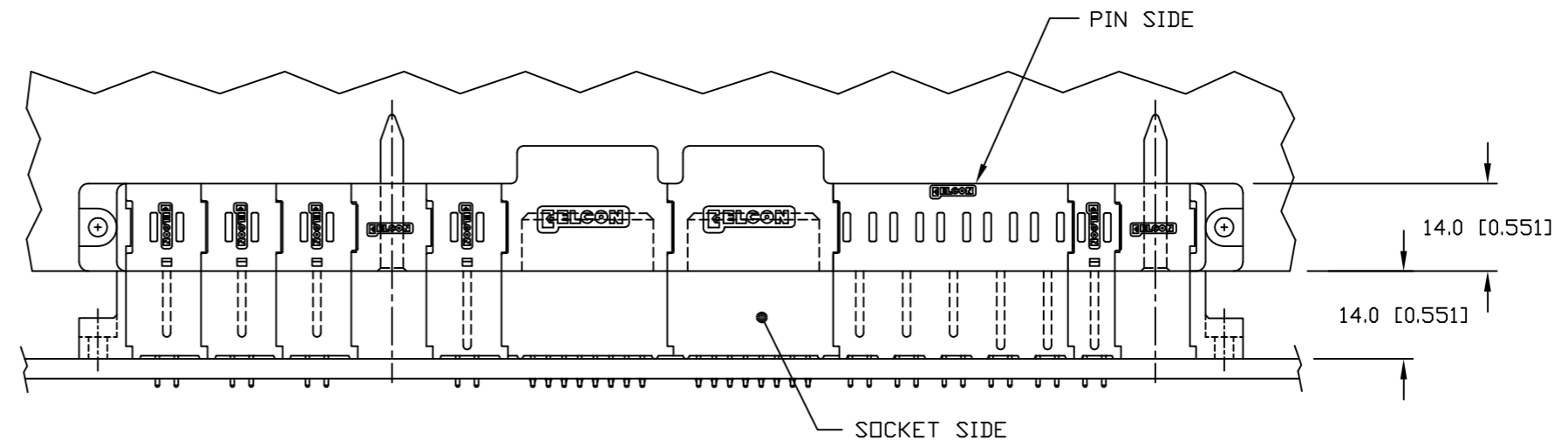
COMPLIANT PIN DETAIL
 INSERTION/EXTRACTION FORCES
 MAXIMUM PUSH-IN: 133.3N PER PIN [30 LBS]
 MINIMUM PUSH-OUT: 44.4N PER PIN [10 LBS]



SOLDER TERMINATION AREA
 RECOMMENDED PRINTED CIRCUIT HOLE
 FINISHED HOLE: $\phi 1.02 [0.040] \pm 0.08 [0.003]$
 DRILLED HOLE: $\phi 1.15 [0.0453] \pm 0.013 [0.0005]$
 COPPER PLATE: .025 [0.0010] MINIMUM (PER SURFACE)
 TIN PLATE: .008 [0.0003] MINIMUM (PER SURFACE)



MATED CONDITION



← MM OR MM [INCH] THIRD ANGLE PROJECTION UNLESS OTHERWISE SPECIFIED DIMENSIONS ARE IN METRIC [INCHES] TOLERANCES ANGLES $\pm .5^\circ$ DECIMALS .XX $\pm .25 [0.010]$.X $\pm .5 [0.020]$	DRAWN R. F. A.	DATE 06/03/05	 Tyco Electronics Corporation Menlo Park, Ca 94025 	
	CHECKED	APPROVED		TITLE USER INFORMATION COMPLIANT TAIL TERMINATION AND MATED CONDITION
	APPROVED	APPROVED D. CHAU	06/28/05	SIZE B
	DCA APPROVED M. ALIM	06/29/05	DWG NUMBER C = 1766687	REV. A
ACAD FILE NUMBER C1766687A.DWG		DWG SCALE 1=1	SH 4 OF 4	