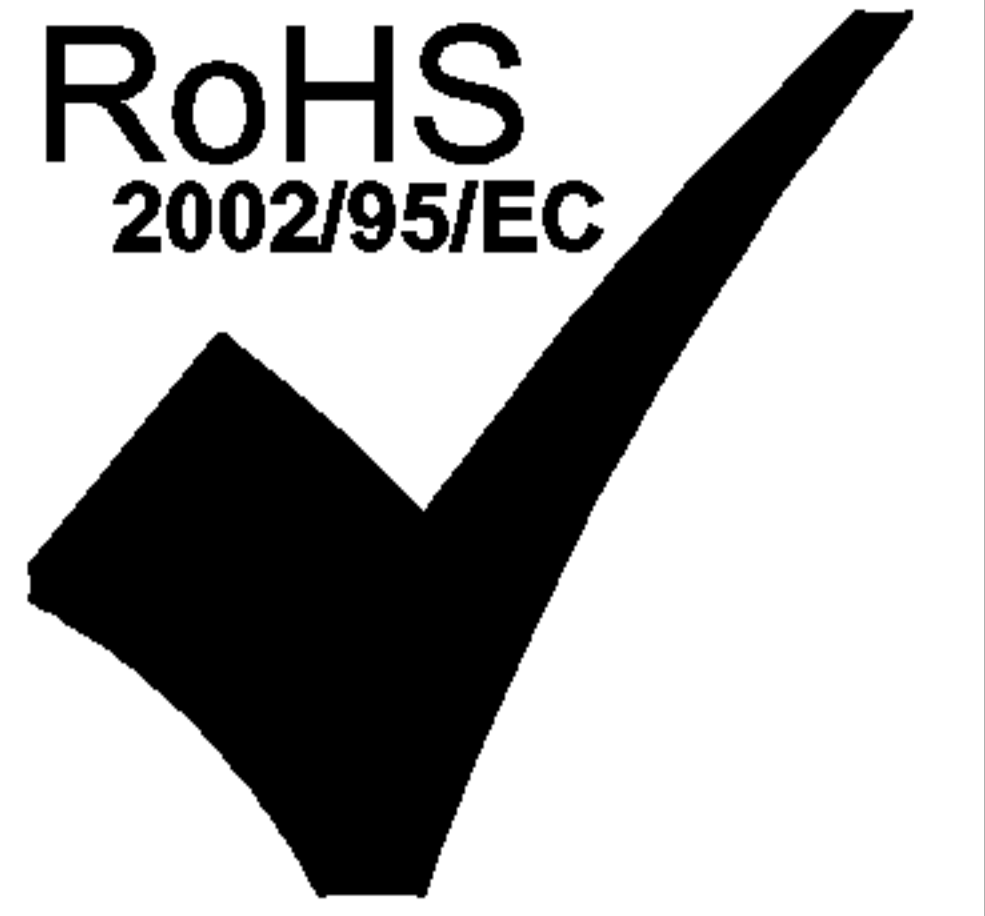


THE INFORMATION CONTAINED HEREIN IS CONSIDERED "PROPRIETARY" TO BEL FUSE INC. AND SHALL NOT BE COPIED, REPRODUCED OR DISCLOSED WITHOUT THE WRITTEN APPROVAL OF BEL FUSE INC.

RoHS  
2002/95/EC



| LED1 POLARITY |        |       | LED2 POLARITY |        |        |
|---------------|--------|-------|---------------|--------|--------|
| PIN 13        | PIN 14 | COLOR | PIN 15        | PIN 16 | COLOR  |
| -             | +      | GREEN | -             | +      | YELLOW |

ELECTRICAL CHARACTERISTICS @ 25°C

URNS RATIO

|     |               |
|-----|---------------|
| TP1 | 1CT : 1CT ±2% |
| TP2 | 1CT : 1CT ±2% |
| TP3 | 1CT : 1CT ±2% |
| TP4 | 1CT : 1CT ±2% |

QCL @ 100kHz/100mVRMS

8mA DC BIAS 350µH MIN.

INS. LOSS

|                  |             |
|------------------|-------------|
| 0.1MHz TO 1MHz   | -1.1 dB MAX |
| 1MHz TO 65MHz    | -0.5 dB MAX |
| 65MHz TO 100MHz  | -0.8 dB MAX |
| 100MHz TO 125MHz | -1.2 dB MAX |

RET. LOSS (MIN)

|              |                       |
|--------------|-----------------------|
| 0.5MHz-40MHz | -18 dB                |
| 40MHz-100MHz | -12+20LOG(f/80MHz) dB |

CM TO CM REJ

100kHz - 100MHz -30 dB MIN

CM TO DM REJ

100kHz - 100MHz -35 dB MIN

HIPOT (Isolation Voltage): 1500 Vrms

100% OF PRODUCT TESTED TO COMPLY WITH IEEE 802.3 ISOLATION REQUIREMENTS

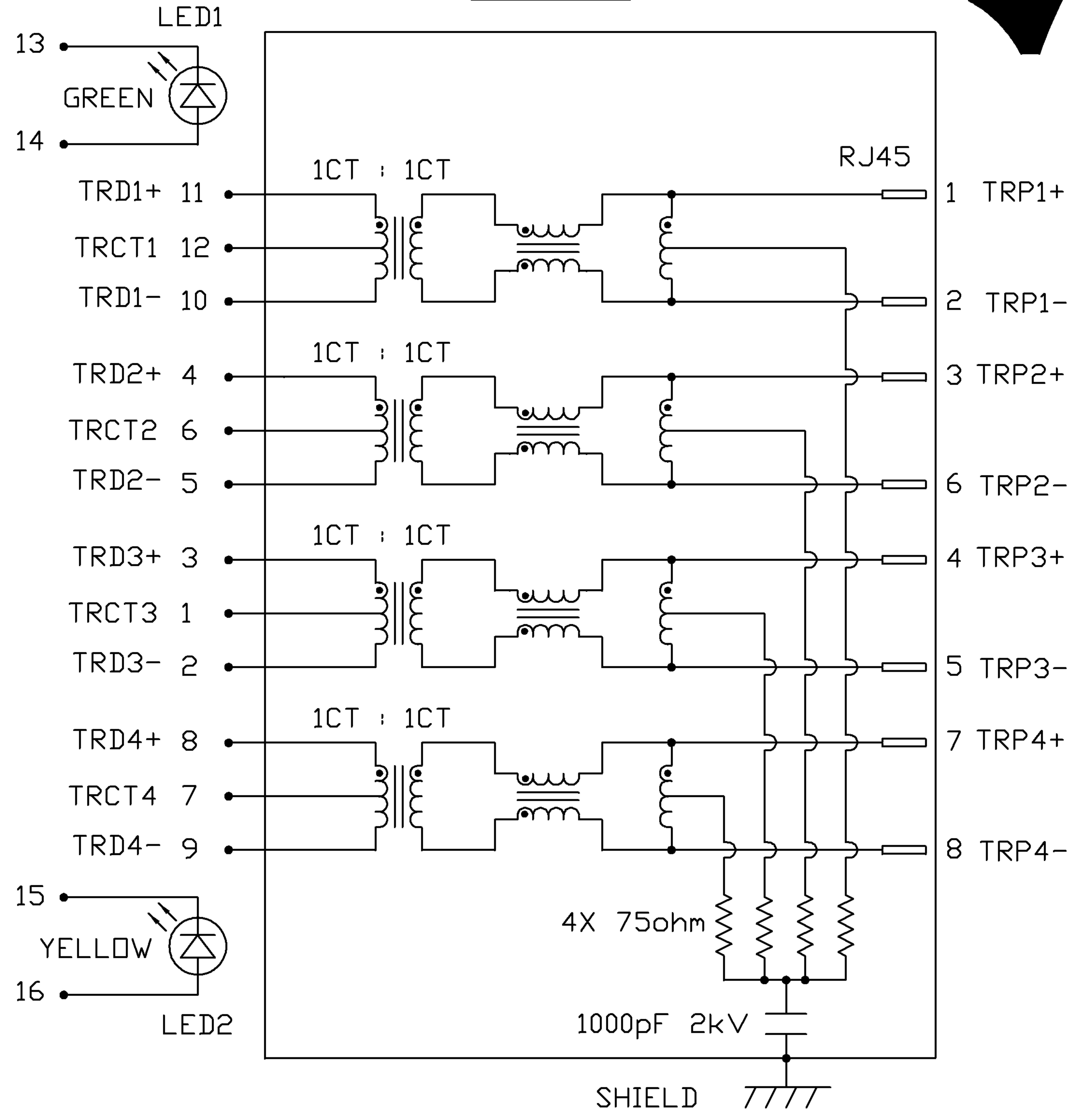
LED 1

VF (FORWARD VOLTAGE) IF=20mA GREEN 2.2V TYP.  
λD (DOMINANT WAVELENGTH) IF=20mA GREEN 565nm TYP.

LED 2

VF (FORWARD VOLTAGE) IF=20mA YELLOW 2.1V TYP.  
λD (DOMINANT WAVELENGTH) IF=20mA YELLOW 590nm TYP.

SCHEMATIC



| ORIGINATED BY | DATE     | TITLE                                      | PART NO. / DRAWING NO. | STANDARD DIM. TOL. IN INCH | [ ] METRIC DIM. AS REFERENCE      |
|---------------|----------|--|------------------------|----------------------------|-----------------------------------|
| CHOW WANCHUNG | 08-05-08 | 1X4 gigabit MagJack®<br>(TAB-UP WITH LEDS) | 08261D4T23-F           | .X<br>.XX<br>.XXX          | UNIT : INCH [mm]<br>SCALE : N/A   |
| DRAWN BY      | DATE     | 0826-1D4T-23-F                             | FILE NAME              | ±0.004                     | REV. : B<br>SIZE : A4<br>PAGE : 2 |
| LEE WEIDE     | 08-05-08 |  | 08261D4T23-F_B.DWG     |                            |                                   |



THE INFORMATION CONTAINED HEREIN IS CONSIDERED "PROPRIETARY" TO BEL FUSE INC. AND SHALL NOT BE COPIED, REPRODUCED OR DISCLOSED WITHOUT THE WRITTEN APPROVAL OF BEL FUSE INC.

RoHS  
2002/95/EC

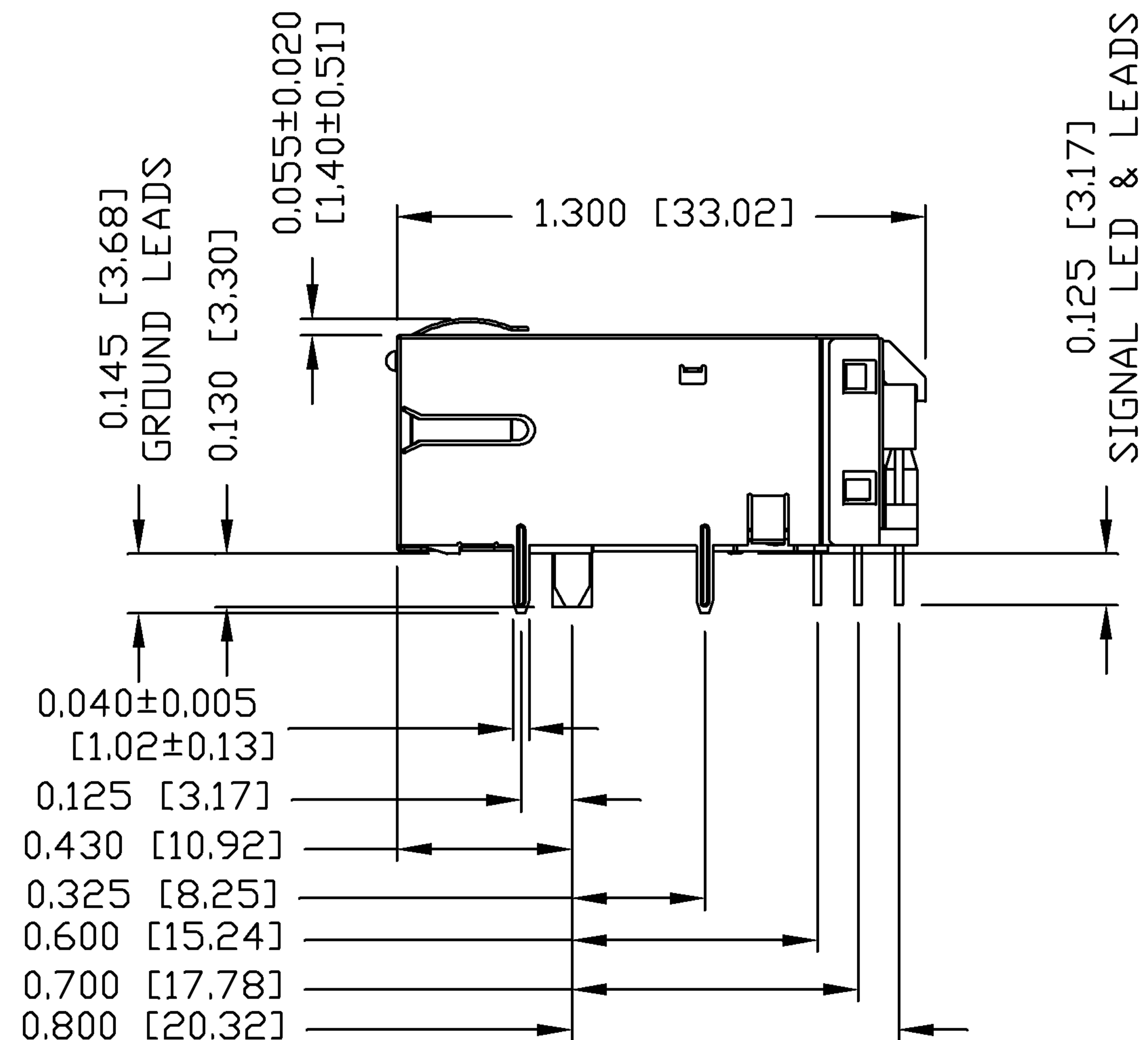
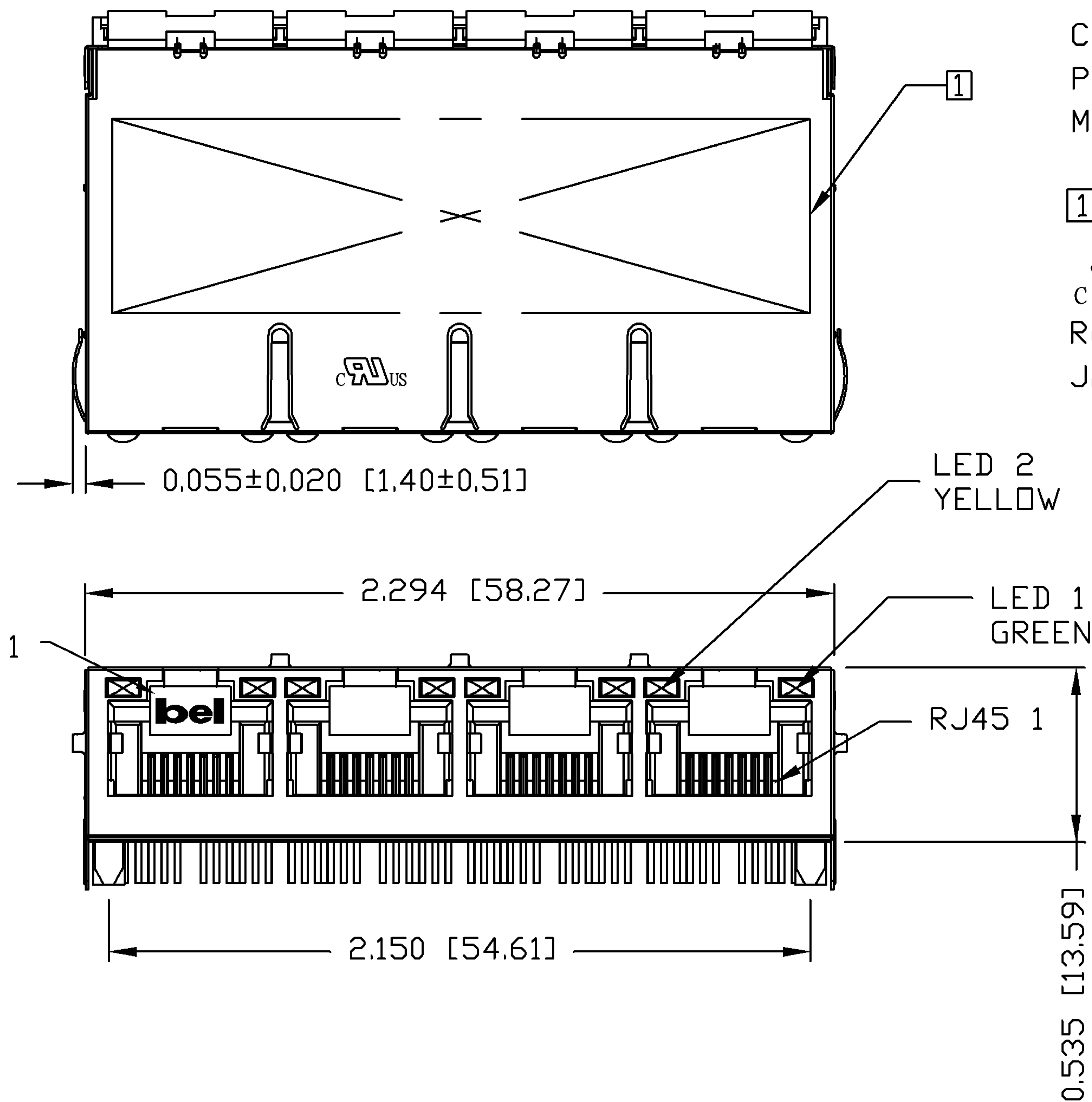


**NOTES:**

PLASTIC HOUSING: THERMOPLASTIC PBT  
 FLAMMABILITY RATING UL 94V-0  
 CONTACTS PLATING: 50 MICRO-INCH HARD GOLD PLATING  
 PINS: TIN-COATED COPPER WIRE, DIA 0.018 INCH.  
 METAL SHIELD: NICKEL PLATED ON COPPER ALLOY.  
 (ALL GROUND LEADS ARE SOLDER DIPPED)

1. MARK PART WITH MFG. LOGO; MFG. NAME; PART NUMBER; DATE CODE.

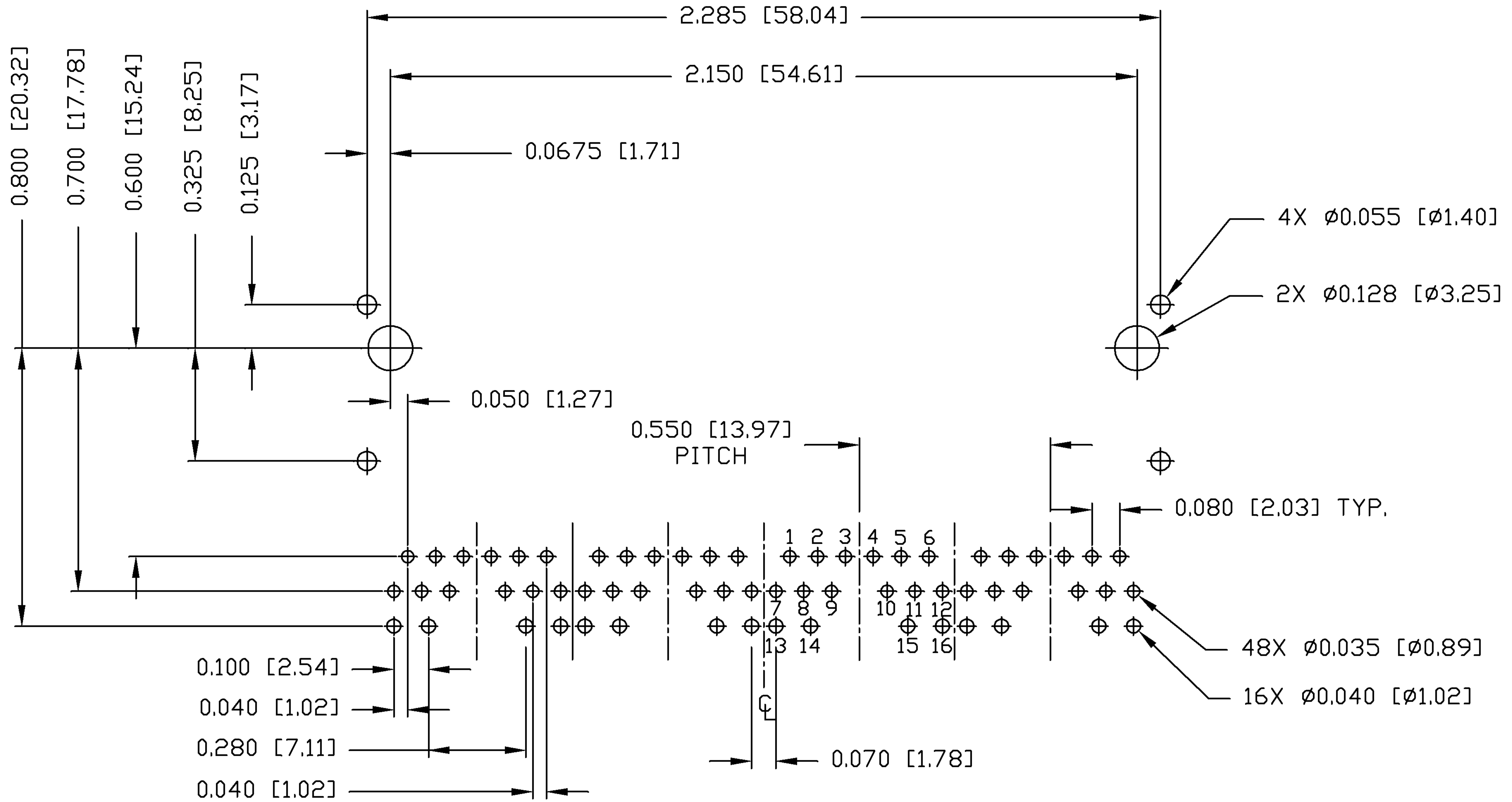
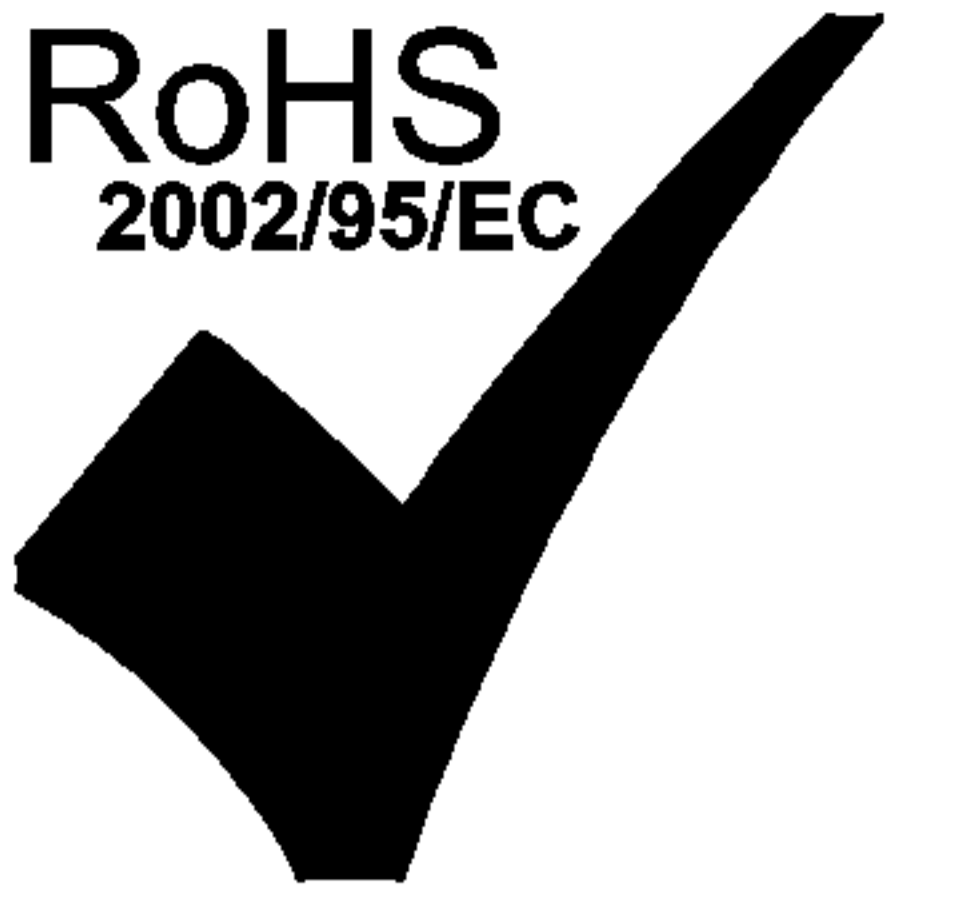
c US UL RECOGNIZED - FILE #E196366 AND E169987.  
 RoHS COMPLIANT, PER EU DIRECTIVE 2002/95/EC  
 JACK CAVITY CONFORMS TO FCC RULES AND REGULATIONS.



|                           |                  |   |  |                               |                              |   |
|---------------------------|------------------|---|--|-------------------------------|------------------------------|---|
| ORIGINATED BY<br>ZX HUANG | DATE<br>08-05-08 | TITLE<br>1X4 gigabit MagJack®<br>(TAB-UP WITH LEDS)<br>0826-1D4T-23-F | PART NO. / DRAWING NO.<br>08261D4T23-F | STANDARD DIM.<br>TOL. IN INCH | [ ] METRIC DIM. AS REFERENCE | <br>COMPONENTS FOR A<br>CONNECTED<br>PLANET |
| DRAWN BY<br>BL CHEN       | DATE<br>08-05-08 |   | FILE NAME<br>08261D4T23-F_B.DWG        | .X                            | UNIT : INCH [mm]             |   |
|                           |                  |   | .XX                                    | SCALE : N/A                   | SIZE : A4                    |   |
|                           |                  |   | .XXX                                   | ±0.010                        | PAGE : 3                     |   |

THE INFORMATION CONTAINED HEREIN IS CONSIDERED "PROPRIETARY" TO BEL FUSE INC. AND SHALL NOT BE COPIED, REPRODUCED OR DISCLOSED WITHOUT THE WRITTEN APPROVAL OF BEL FUSE INC.

RoHS  
2002/95/EC

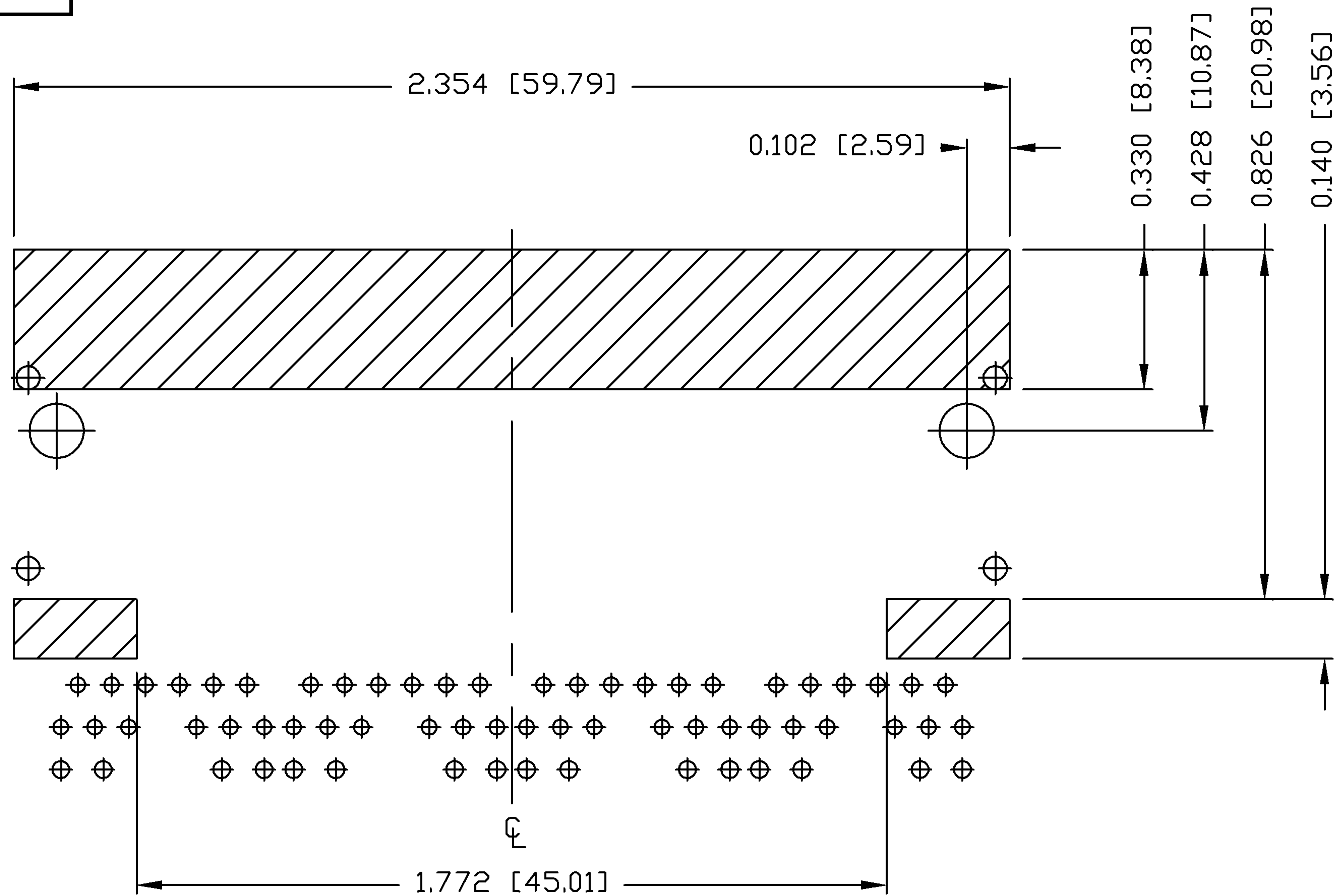
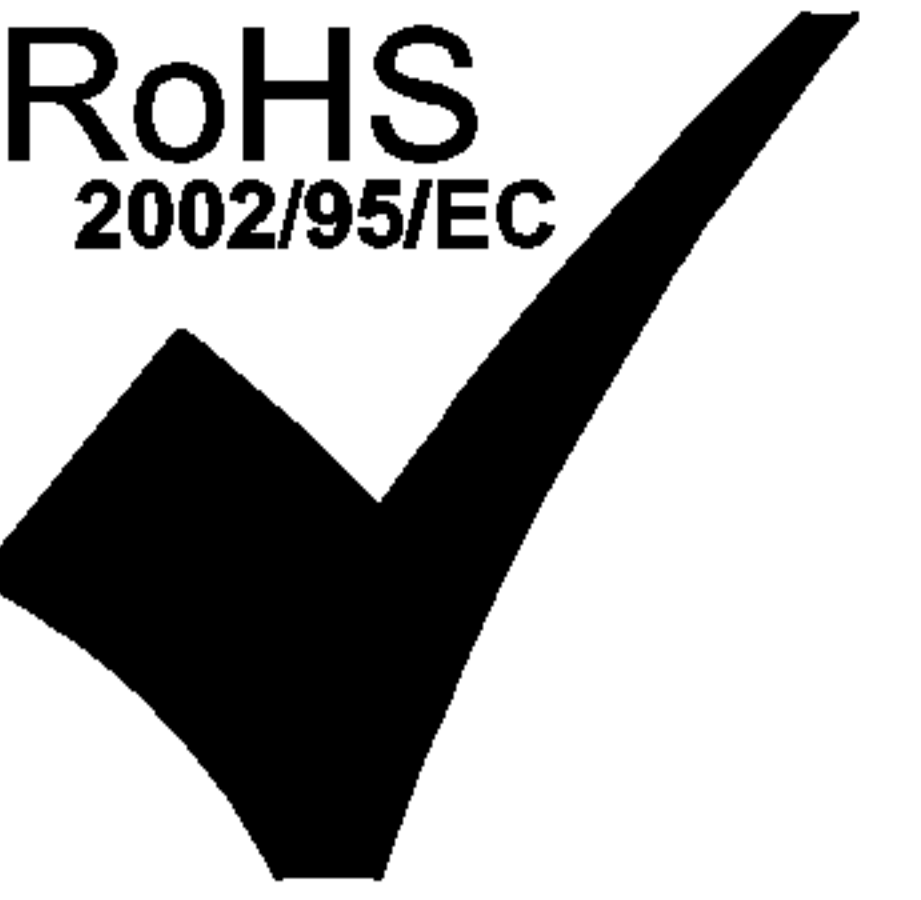


RECOMMENDED PCB FOOTPRINT  
COMPONENT SIDE VIEW

|                           |                  |   |  |                               |                              |   |
|---------------------------|------------------|---|--|-------------------------------|------------------------------|---|
| ORIGINATED BY<br>ZX HUANG | DATE<br>08-05-08 | TITLE<br>1X4 gigabit MagJack®<br>(12 cores, Tab Up)<br>0826-1D4T-23-F | PART NO. / DRAWING NO.<br>08261D4T23-F | STANDARD DIM.<br>TOL. IN INCH | [ ] METRIC DIM. AS REFERENCE | <br>COMPONENTS FOR A<br>CONNECTED<br>PLANET |
| DRAWN BY<br>BL CHEN       | DATE<br>08-05-08 |   | FILE NAME<br>08261D4T23-F_B.DWG        | .X                            | UNIT : INCH [mm]             |   |
|                           |                  |   | .XX                                    | SCALE : N/A                   | SIZE : A4                    |   |
|                           |                  |   | .XXX                                   | ±0.004                        | PAGE : 4                     |   |

THE INFORMATION CONTAINED HEREIN IS CONSIDERED "PROPRIETARY" TO BEL FUSE INC. AND SHALL NOT BE COPIED, REPRODUCED OR DISCLOSED WITHOUT THE WRITTEN APPROVAL OF BEL FUSE INC.

RoHS  
2002/95/EC



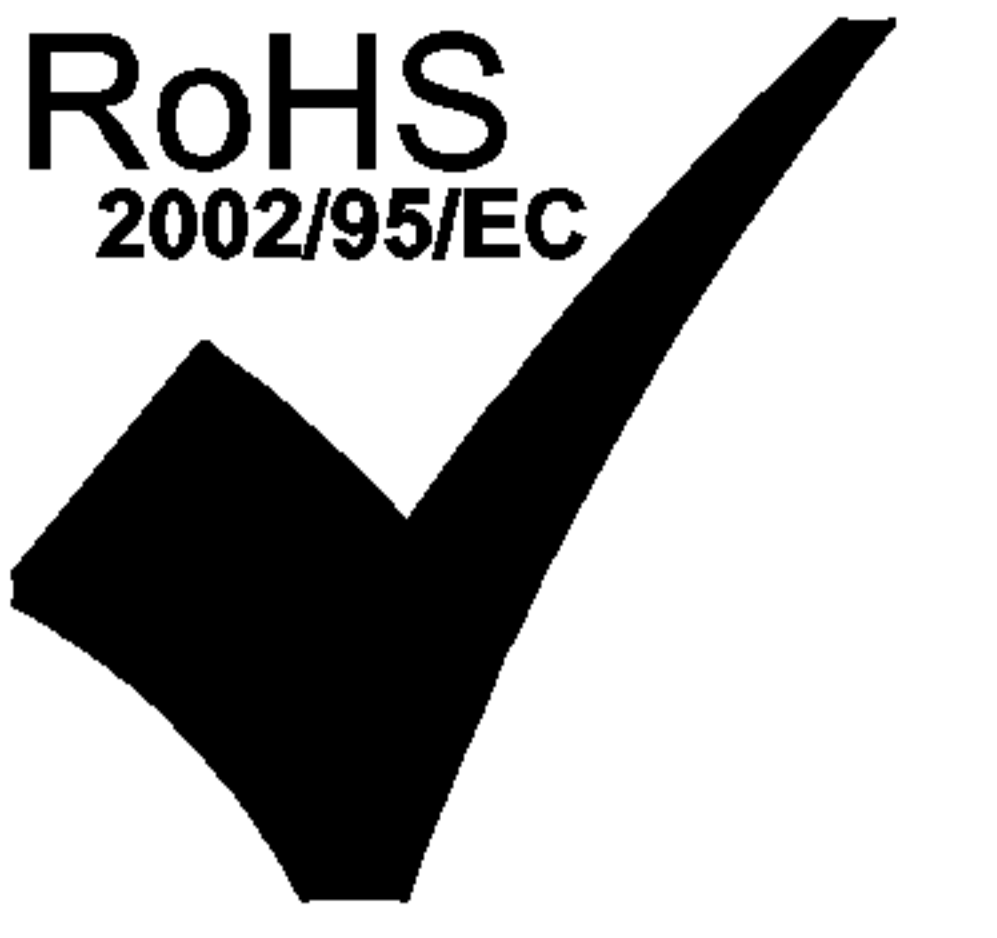
**NOTES:**

THE SHADED AREA ON THE CUSTOMER BOARD ARE RECOMMENDED TO BE CLEAR OFF ANY VIA HOLE OR COMPONENT PAD.

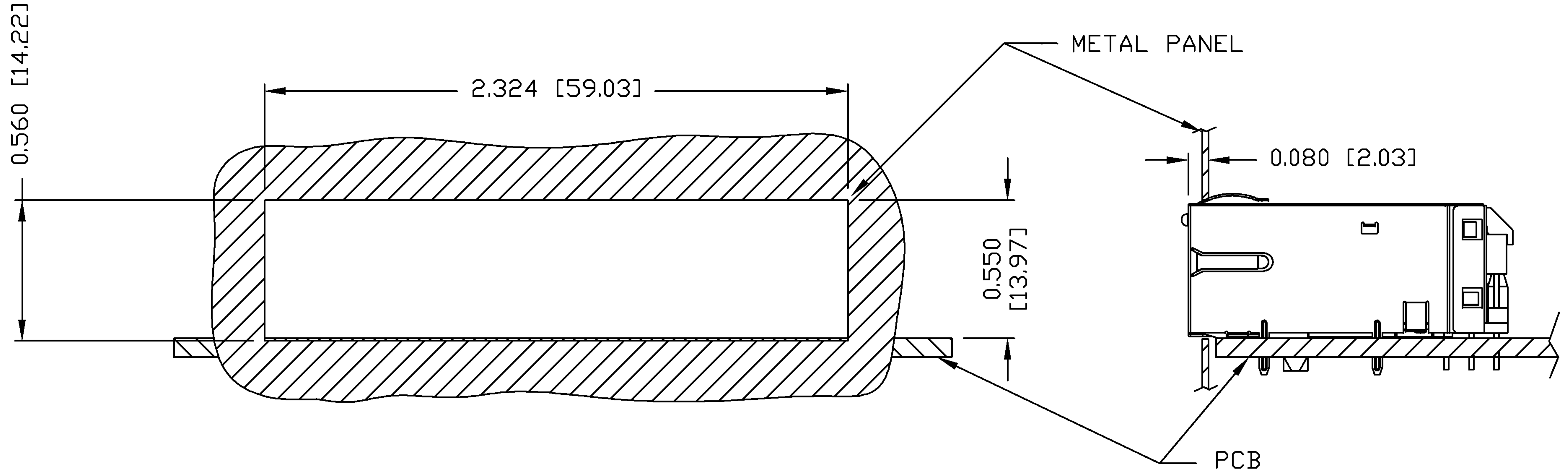
|                                  |                         |   |   |   |                                   |    |                                     |     |                                       |  |      |        |                  |          |             |
|----------------------------------|-------------------------|---|---|---|-----------------------------------|----|-------------------------------------|-----|---------------------------------------|--|------|--------|------------------|----------|-------------|
| <b>ORIGINATED BY</b><br>ZX HUANG | <b>DATE</b><br>08-05-08 | <b>TITLE</b><br>1X4 gigabit MagJack®<br>(12 cores,Tab Up)<br>0826-1D4T-23-F | <b>PART NO. / DRAWING NO.</b><br>08261D4T23-F |   | <b>STANDARD DIM. TOL. IN INCH</b> |    | <b>[ ] METRIC DIM. AS REFERENCE</b> |     | <br>COMPONENTS FOR A CONNECTED PLANET |  |      |        |                  |          |             |
| <b>DRAWN BY</b><br>BL CHEN       | <b>DATE</b><br>08-05-08 |   | <b>FILE NAME</b><br>08261D4T23-F_B.DWG        | <table border="1"> <tr> <td>.X</td> <td></td> </tr> <tr> <td>.XX</td> <td></td> </tr> <tr> <td>.XXX</td> <td>±0.004</td> </tr> </table> |                                   | .X |                                     | .XX |                                       |  | .XXX | ±0.004 | UNIT : INCH [mm] | REV. : B | SCALE : N/A |
| .X                               |                         |   |   |   |                                   |    |                                     |     |                                       |  |      |        |                  |          |             |
| .XX                              |                         |   |   |   |                                   |    |                                     |     |                                       |  |      |        |                  |          |             |
| .XXX                             | ±0.004                  |   |   |   |                                   |    |                                     |     |                                       |  |      |        |                  |          |             |
|                                  |                         |   |   |   |                                   |    | PAGE : 5                            |     |                                       |  |      |        |                  |          |             |

THE INFORMATION CONTAINED HEREIN IS CONSIDERED "PROPRIETARY" TO BEL FUSE INC. AND SHALL NOT BE COPIED, REPRODUCED OR DISCLOSED WITHOUT THE WRITTEN APPROVAL OF BEL FUSE INC.

RoHS  
2002/95/EC



SUGGESTED PANEL OPENING



NOTES:

THE DISTANCE OF PANEL INSIDE SURFACE RELATIVE TO FRONT SURFACE OF PART IS ONLY A SUGGESTION. IN CASE THIS DISTANCE IS DIFFERENT, THE REQUIRED PANEL OPENING DIMENSIONS CHANGE ACCORDINGLY.

PACKING INFORMATION

PACKING TRAY : 0200-9999-B4 (TOP)

0200-9999-B5 (BOTTOM)

PACKING QUANTITY : 24 PCS FINISHED GOODS PER TRAY

10 TRAYS (240 PCS FINISHED GOODS) PER CARTON BOX

NOTE : CARDBOARDS ARE PLACED BETWEEN LAYERS OF PACKING TRAY INSIDE CARTON BOX (INCLUDE THE UPPERMOST AND LOWERMOST TRAY)

|                           |                     |   |  |                            |                                 |                              |           |                                       |
|---------------------------|---------------------|---|--|----------------------------|---------------------------------|------------------------------|-----------|---------------------------------------|
| ORIGINATED BY<br>ZX HUANG | DATE<br>08-05-08    | TITLE<br>1X4 gigabit MagJack®<br>(TAB-UP WITH LEDS) | PART NO. / DRAWING NO.<br>08261D4T23-F | STANDARD DIM. TOL. IN INCH |                                 | [ ] METRIC DIM. AS REFERENCE |           | <br>COMPONENTS FOR A CONNECTED PLANET |
|                           | DRAWN BY<br>BL CHEN |   |  | DATE<br>08-05-08           | FILE NAME<br>08261D4T23-F_B.DWG | .X                           |           |                                       |
|                           |                     |   |  | .XX                        |                                 | SCALE : N/A                  | SIZE : A4 |                                       |
|                           |                     |   |  | .XXX                       | ±0.004                          |                              | PAGE : 6  |                                       |