

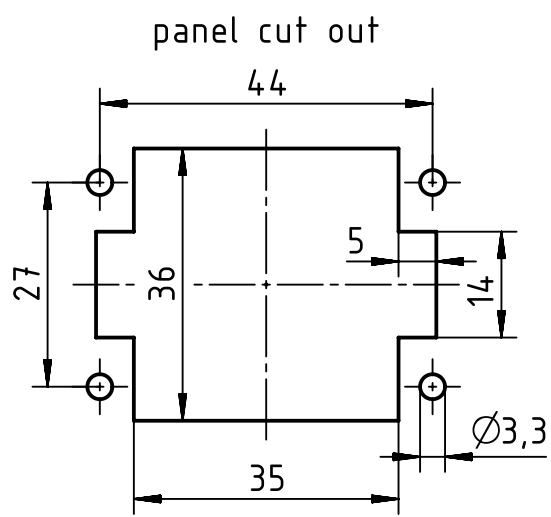
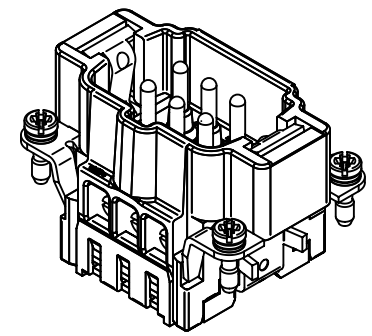
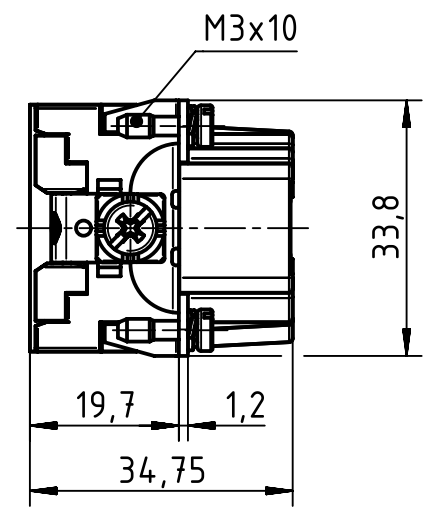
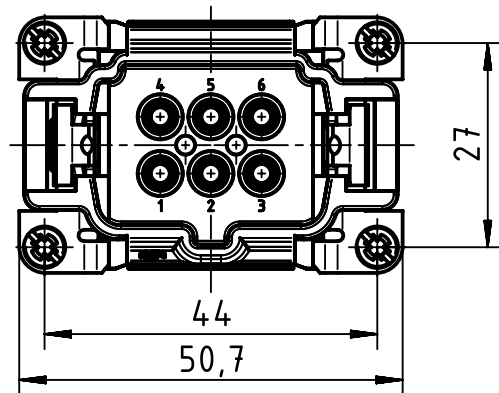
1 2 3 4 5 6

A

B

C

D



	All Dimensions in mm Original Size DIN A4		Scale 1:1	Free size tol.		Ref.
	All rights reserved Department EL PD - DE		Created by HOLLERT	Inspected by PRIESTER	Standardisation TIEMANNA	Sub.
HARTING Electric GmbH & Co. KG D-32339 Espelkamp		Title <b>Han High Temp 6E Screw Male</b>			Date 2016-08-31	State Final Release
Type <b>TB</b> Number <b>09 33 806 2603</b>					Doc-Key / ECM-Nr. 100620315/UGD/001/A 500000105233	Rev. <b>A</b> Page 1/1