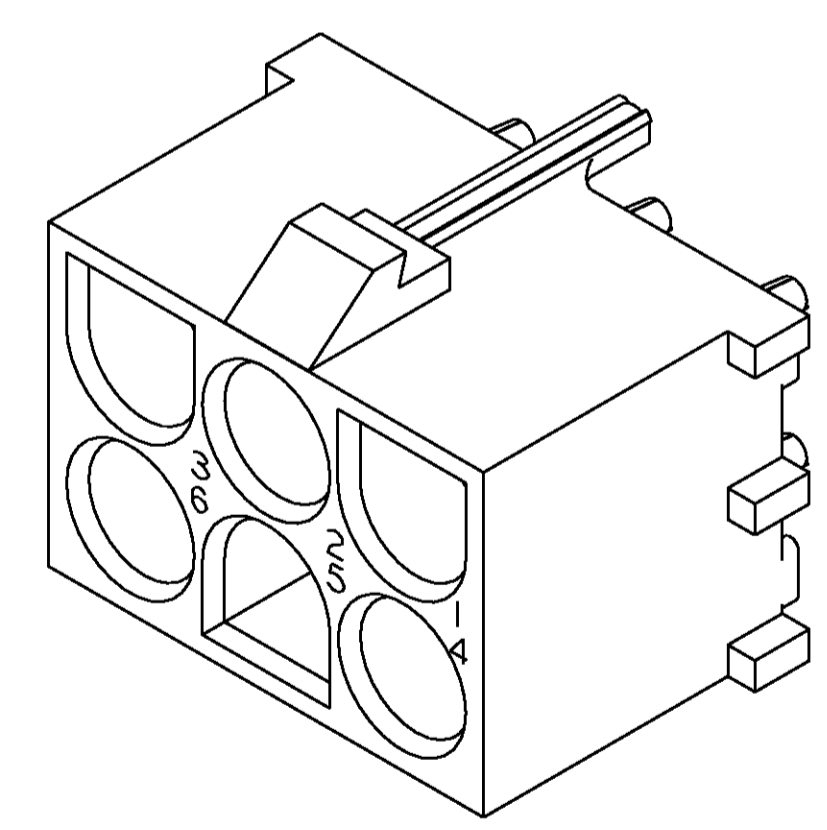
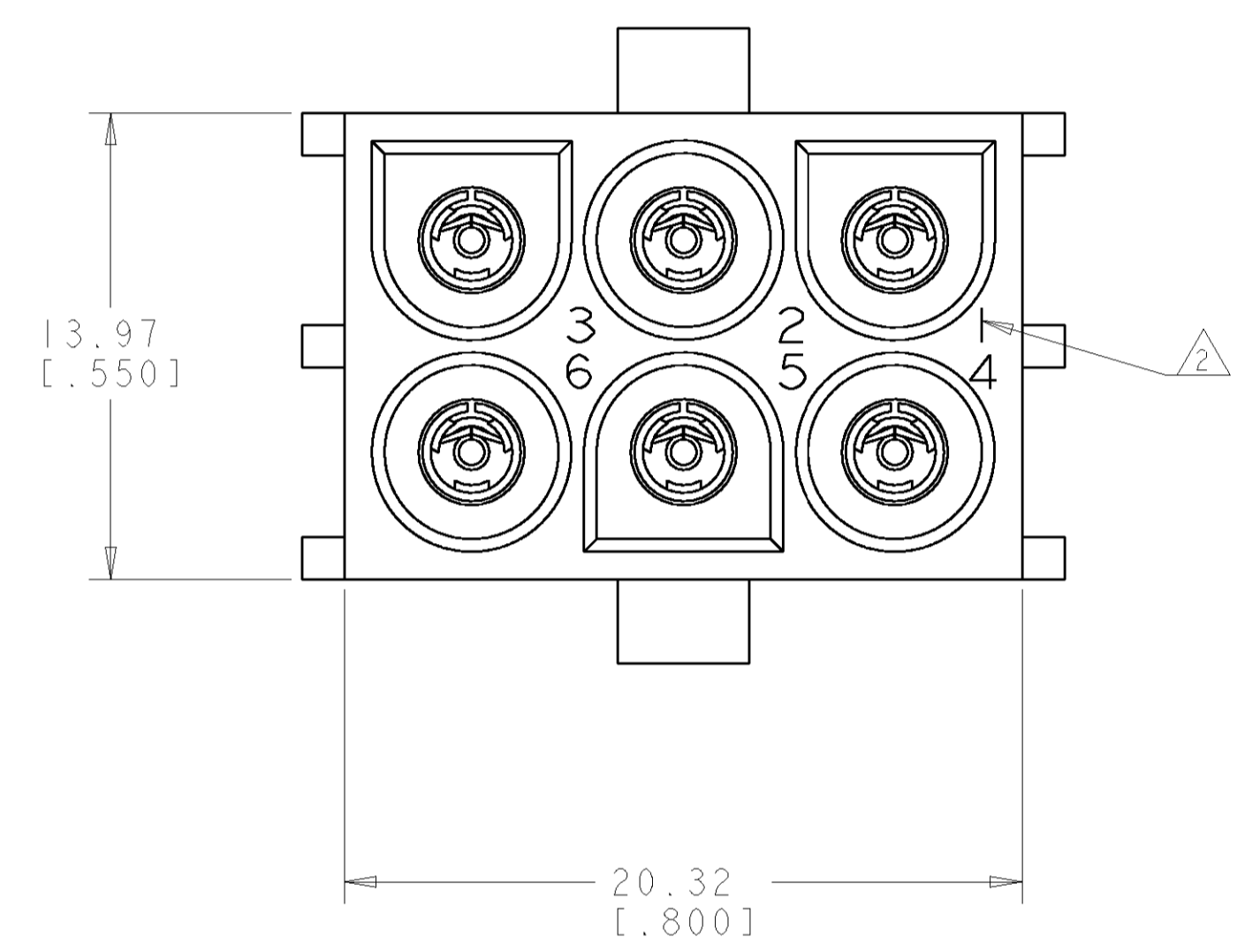
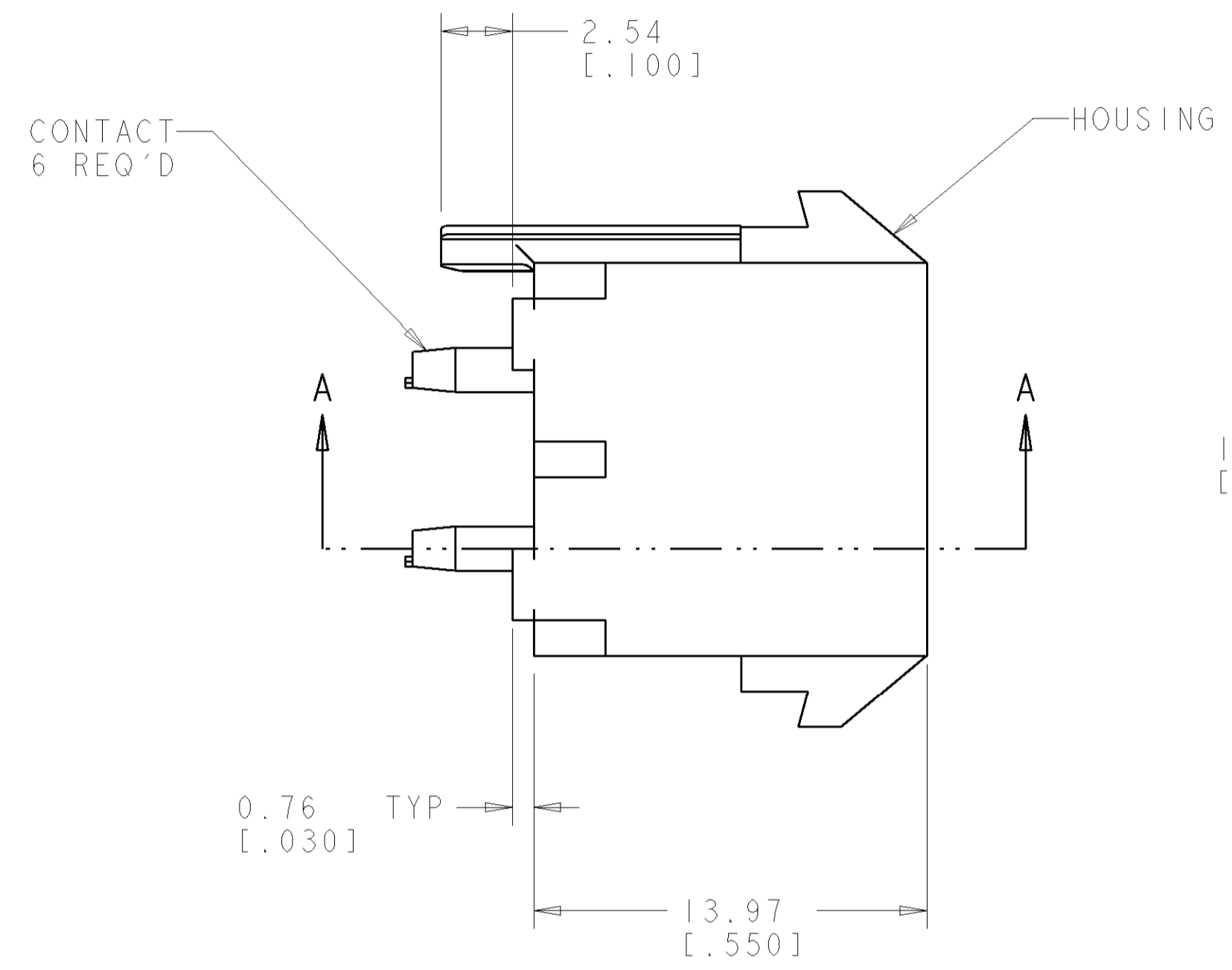
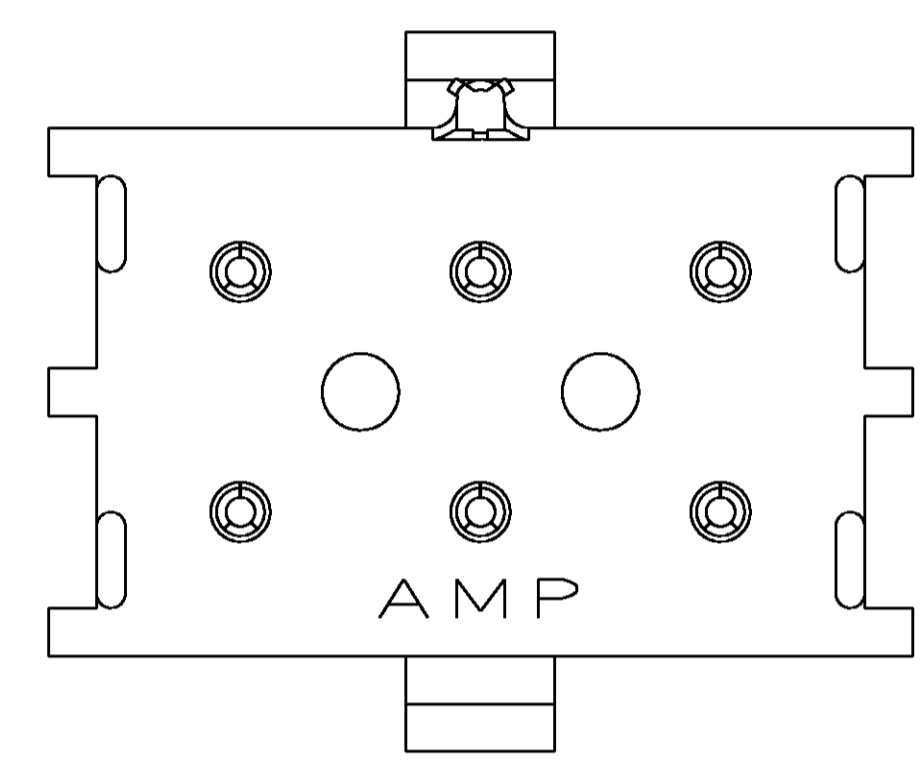
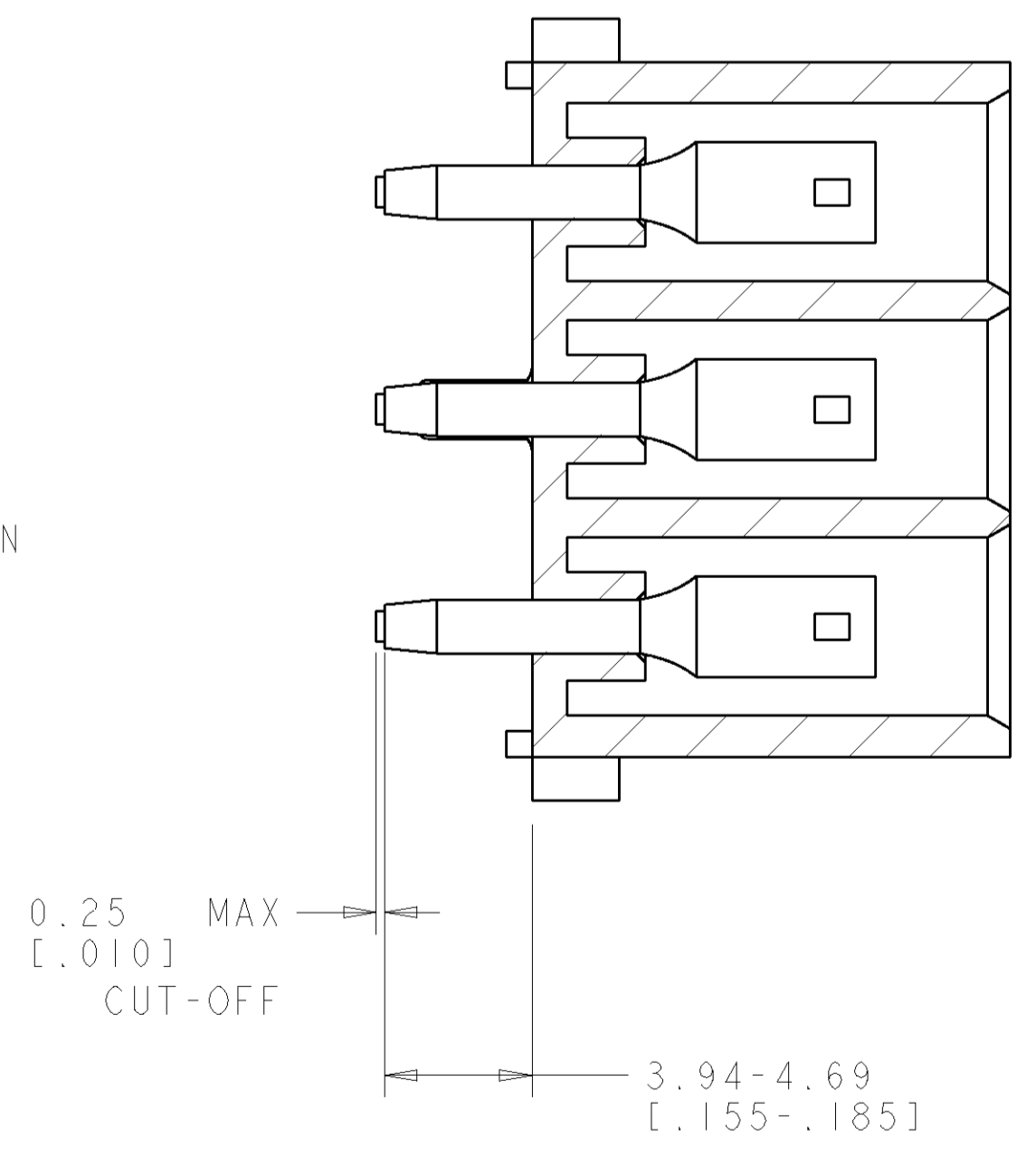
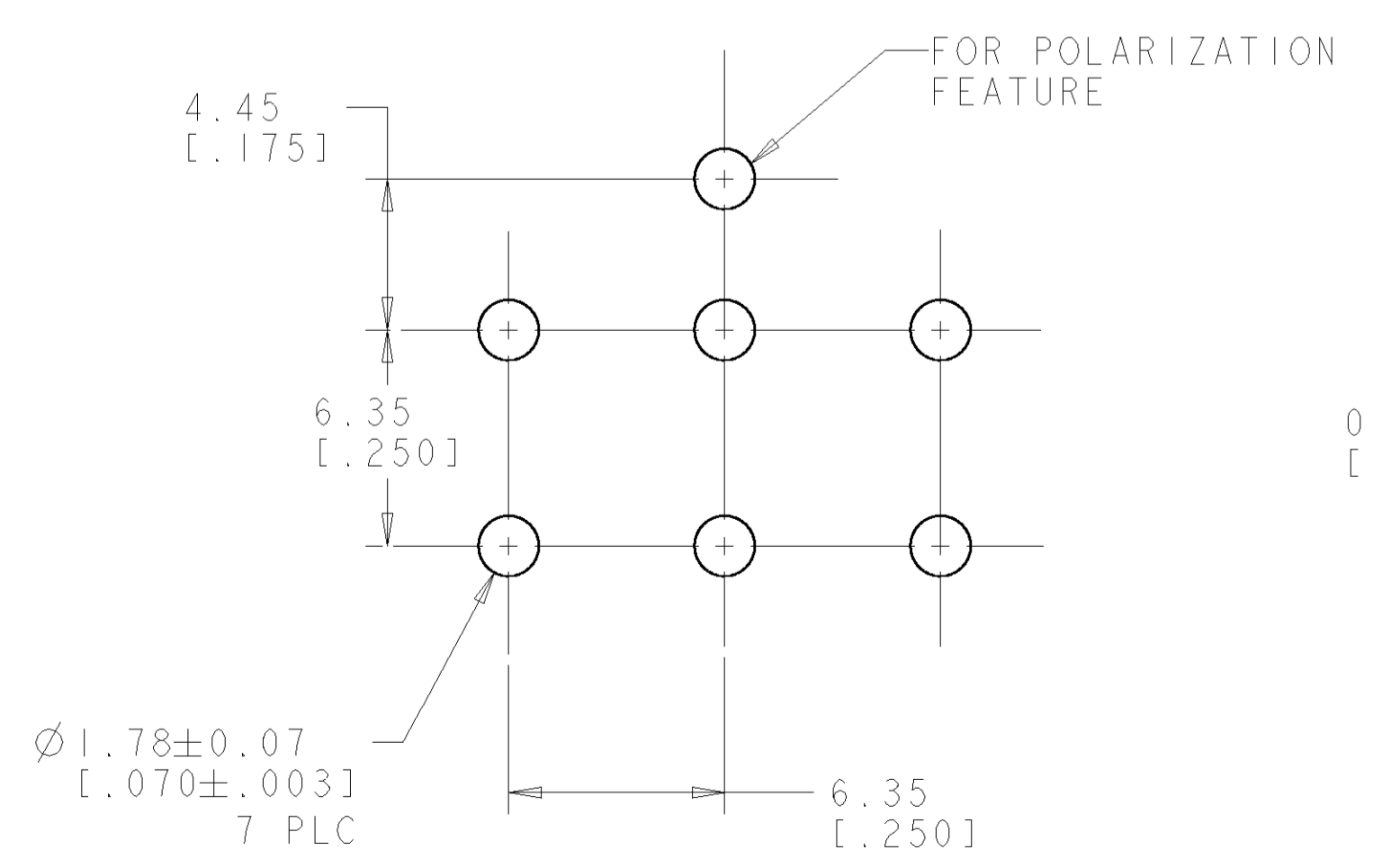


LOC		DIST		REVISIONS			
CM	00	P	LTR	DESCRIPTION	DATE	DWN	APVD
		0		REVISED PER 0638-0713-03	24-NOV-03	KW	SR

- PARTS COMPLY TO AMP SOLDERABILITY SPECIFICATION 109-11-3.
- CIRCUIT IDENTIFICATION CHARACTERS ARE ADJACENT TO THE INDICATED CAVITIES, BUT LOCATION AND ORIENTATION MAY DIFFER FROM PRINT.
- DIMENSIONS IN BRACKETS ARE IN INCHES.



SCALE 4:1



SECTION A-A

PHOSPOR BRONZE, PRE-TIN CONTACT MATERIAL AND FINISH		NYLON, UL94V-2, NATURAL HOUSING MATERIAL AND COLOR		1586212-1 PART NUMBER
DIMENSIONS: mm [INCHES]		TOLERANCES UNLESS OTHERWISE SPECIFIED:		DWN R. WHITAKER 24-NOV-03
		0 PLC ± 1 PLC ± 2 PLC ±0.13(.005) 3 PLC ± 4 PLC ± ANGLES ±40° 30'		CHK S. RIDGILL 24-NOV-03
MATERIAL SEE TABLE		FINISH SEE TABLE		APVD S. RIDGILL 24-NOV-03
CUSTOMER DRAWING		WEIGHT		NAME SOCKET HEADER ASSEMBLY, POLARIZED, 6 CIRCUIT, W/O DRAIN HOLES, UNIVERSAL MATE-N-LOK™
SCALE 5:1		SHEET 1 OF 1		REV 0

