

4

3

2

1

THIS DRAWING IS UNPUBLISHED.

RELEASED FOR PUBLICATION

20

© COPYRIGHT 20

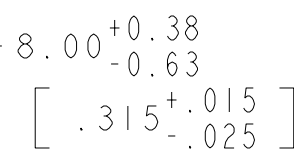
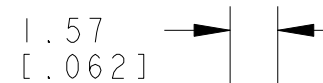
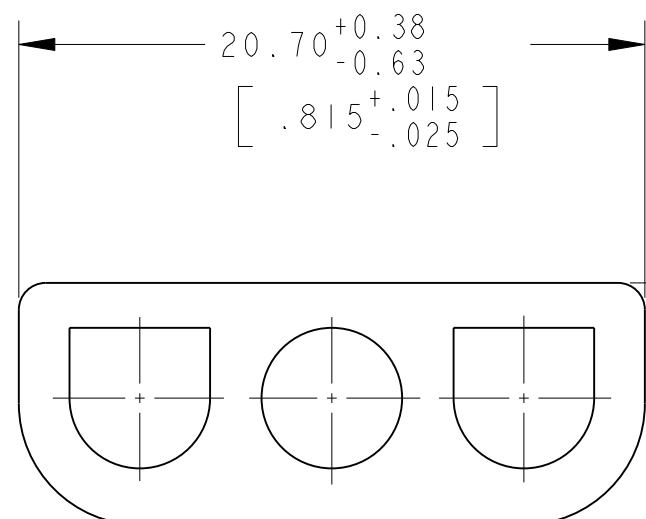
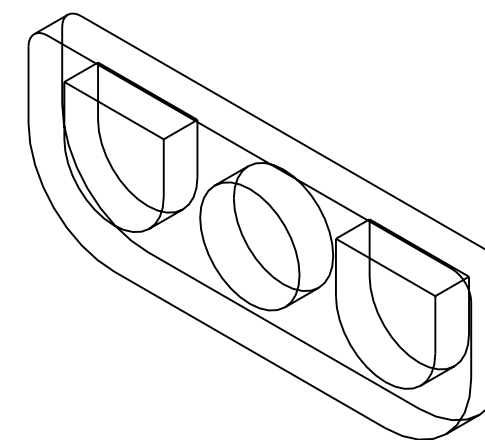
BY TYCO ELECTRONICS CORPORATION. ALL RIGHTS RESERVED.

LOC CM DIST 45

REVISIONS

P	LTR	DESCRIPTION	DATE	DWN	APVD
	E	REVISED PER ECO-05-001965	04MAY05	KW	SR

1 MATERIAL: CLOSED CELL SILICON FOAM, BLACK  
 2. SUPPLIED ON MYLAR FILM.



794992-1

PART NUMBER

THIS DRAWING IS A CONTROLLED DOCUMENT FOR TYCO ELECTRONICS CORPORATION IT IS SUBJECT TO CHANGE AND THE CONTROLLING ENGINEERING ORGANIZATION SHOULD BE CONTACTED FOR THE LATEST REVISION.

DIMENSIONS: mm [ INCHES ]

TOLERANCES UNLESS OTHERWISE SPECIFIED:

- 0 PLC ±-
- 1 PLC ±-
- 2 PLC ±0.51 [.020]
- 3 PLC ±-
- 4 PLC ±-
- ANGLES ±-
- FINISH -

MATERIAL - 1

DWN 07-DEC-2001 K. WHITAKER

CHK 07-DEC-2001 S. RIDGILL

APVD 07-DEC-2001 S. RIDGILL

PRODUCT SPEC -

APPLICATION SPEC -

WEIGHT -

CUSTOMER DRAWING



Tyco Electronics Harrisburg, PA 17105-3608

NAME INTERFACIAL SEAL, 3 CIRCUIT, UNIVERSAL MATE-N-LOK™

SIZE	CAGE CODE	DRAWING NO	RESTRICTED TO
A3	00779	C-794992	-

SCALE 4:1 SHEET 1 OF 1 REV E

