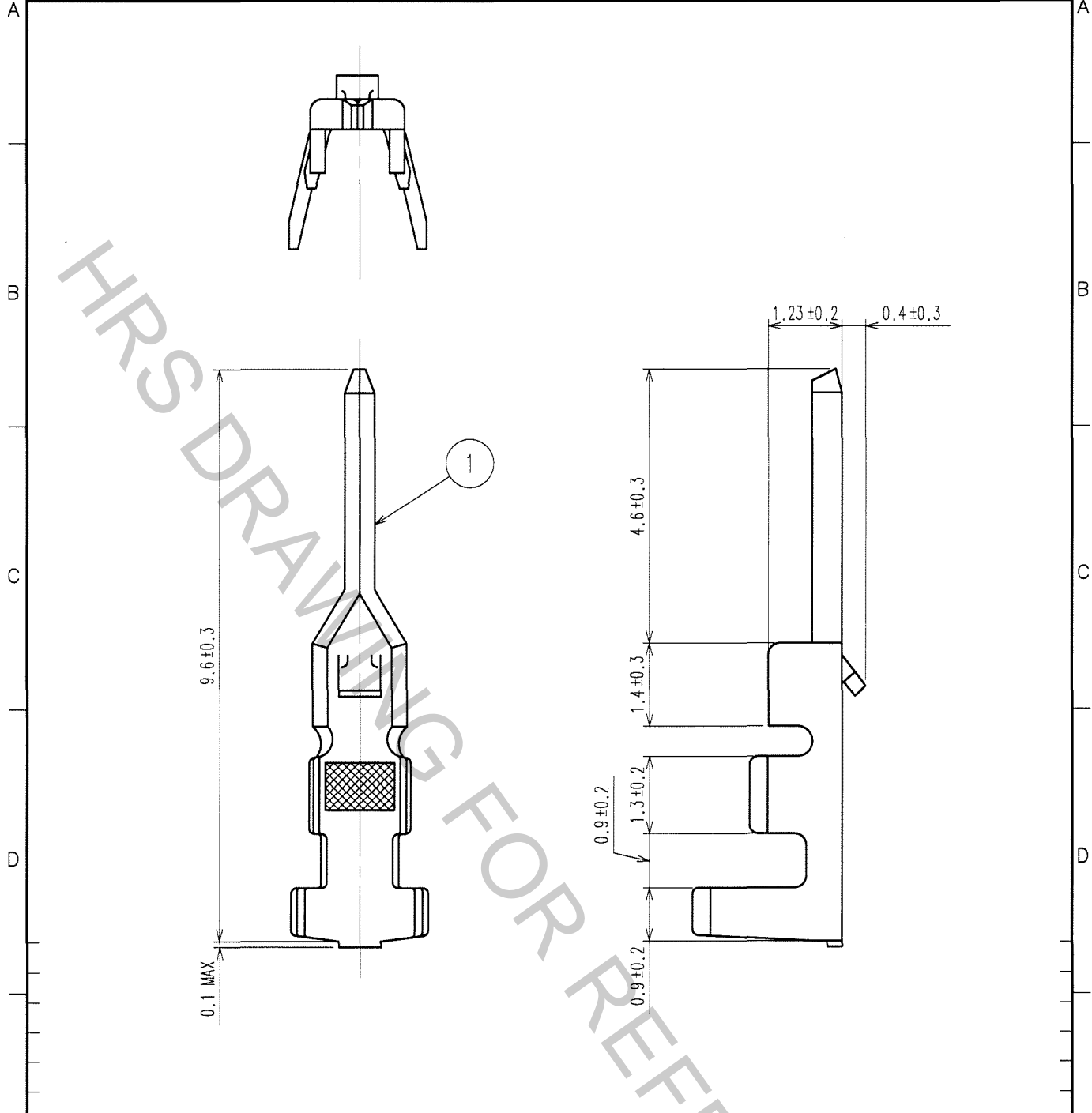


Apr.1.2017 Copyright 2017 HIROSE ELECTRIC CO., LTD. All Rights Reserved.

1			2			3			4					
COUNT	DESCRIPTION OF REVISIONS	BY	CHKD	DATE	COUNT	DESCRIPTION OF REVISIONS	BY	CHKD	DATE	COUNT	DESCRIPTION OF REVISIONS	BY	CHKD	DATE
△					△					△				
△					△					△				
△					△					△				



NOTES 1.1 PACK:100 CONTACTS.

NO.		MATERIAL		FINISH, REMARKS		NO.		MATERIAL		FINISH, REMARKS	
		1		PHOSPHOR BRONZE TIN PLATED:1μm min							

CODE NO. (OLD)			DRAWN	DESIGNED	CHECKED	APPROVED	RELEASED
			T.OHSAKO	T.OHSAKO	H. Uehara	J. Oma	
			06.12.08	06.12.08	06.12.11	06.12.11	

 SCALE 10:1 UNITS mm	DRAWING NO.	PART NO.
	EDC4-020375-01	DF3-EP2428PC
 HIROSE ELECTRIC CO.,LTD.	CODE NO.	1/1
	CL543-0063-0	

TO