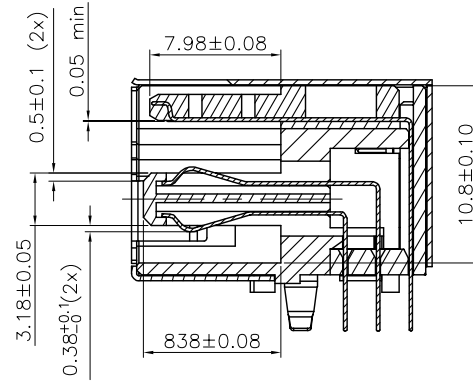
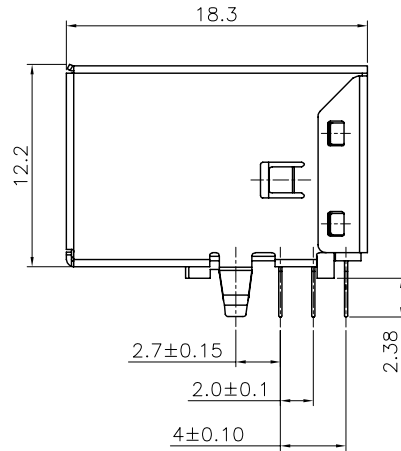
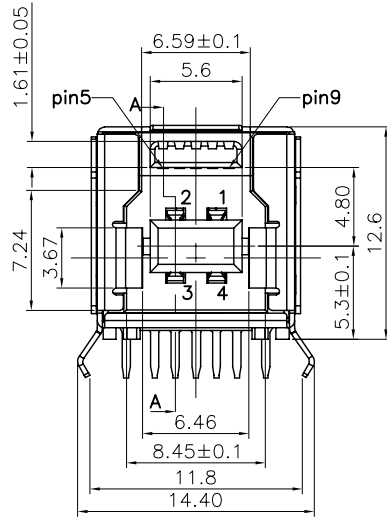


REV	ECN.NO:	B Y	DATE
A0	NEW-DWG	ING	10/10/26



SECTION A-A

NOTE

MATERIAL:

- 1-1 HOUSING: LCP UL94V-0
- 1-2 CONTACT: 1~4PIN,COPPER(T=0.20MM)
5~9PIN,BTASS(T=0.20MM)
- 1-3 SHELL: FRONT SHELL,BRASS(T=0.30MM)
COVER SHELL,SPCC(T=0.20MM)

2.ELECTRICAL CHARACTERISTICS:

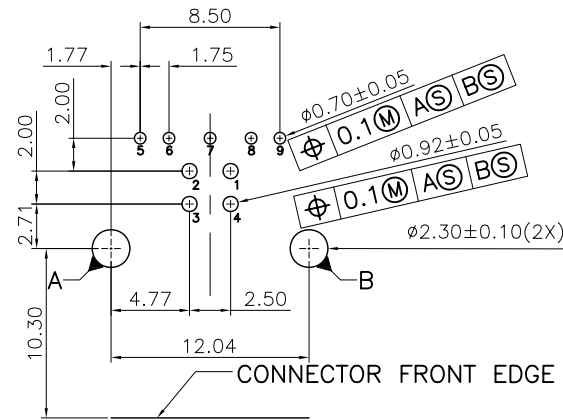
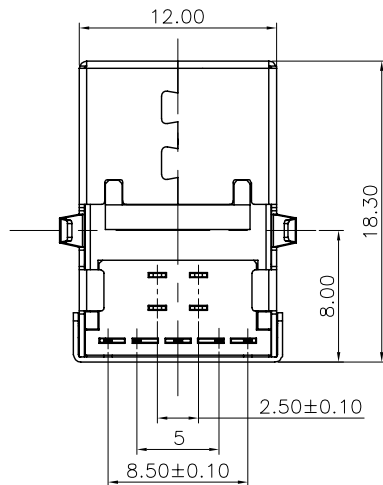
- 2.1 CONTACT RESISTANCE:30MOHM MAX.
- 2.2 CONTACT CURRENT RATING:1.5A
- 2.3 DIELECTRIC WITHSTANDING VOLTAGE:500 V R.M.S.
- 2.4 INSULATION RESISTANCE 1000 MEGOHMS MIN.
- 2.5 OPERATING TEMPERATURE:-40°C~85°C

3.MECHANICAL CHARACTERISTICS:


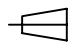
- 3.1 MATING FORCE:3.57KG MAX.
- 3.2 UNMATING FORCE:1.02KG MIN.
- 3.3 DURABILITY:MANDATORY:5000 CYCLES.

4.PLATING

- 4.1 TERMINAL:GOLD FLASH ALL OVER 50U"MIN
NICKEL AND 1U"MIN TIN ALL OVER 50U"MIN.
NICKEL ON SOLDER AREA
- 4.2 SHELL:150U" MIN.NICEL OVER 20U"MIN BRASS.



RECONNANDED PCB ALAYOUT

-TOLERANCES- UNLESS OTHERWISE SPECIFIED		 		<h2 style="text-align: center;">CnC Tech,LLC</h2>					
				TITLE: USB 3.0 B TYPE FEMALE DIP90度15U"成品					
X.X	±0.38	X.X°	±2°	APPD:	PRODUCT NO: 1003-003-02000				
X.XX	±0.25	X.XX°	±1°	CHECK:	DATE	SCALE	UNIT	TYPE	PAGE
X.XXX	±0.10	X.XXX°	±0.5°	DRAW:	2010.10.26	FREE	MM	Z	1