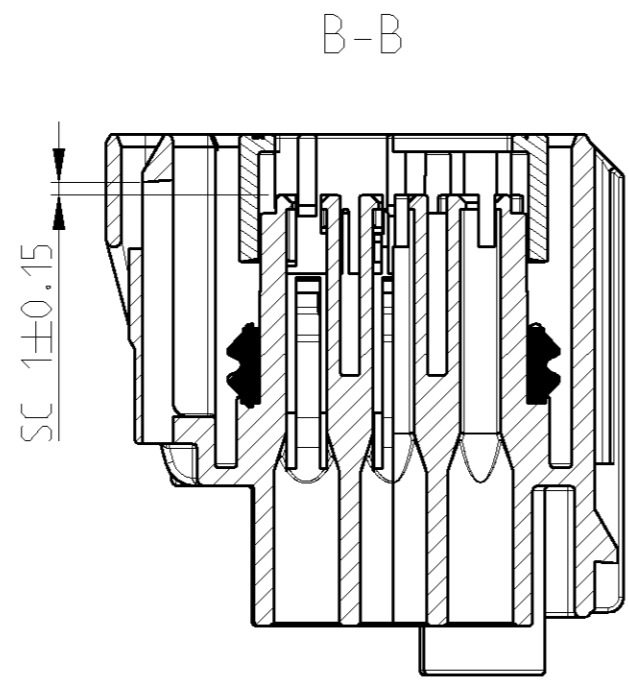
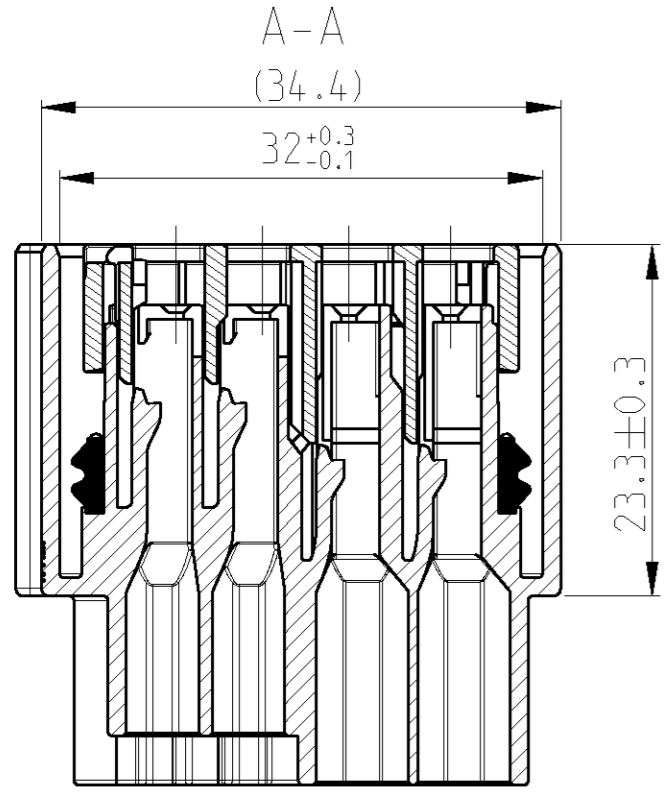


LOC	DIST	REVISIONS					
A	I	P	LTR	DESCRIPTION	DATE	DWN	APVD
		G1		ECR-07-012716	30MAY2007	GP	GM

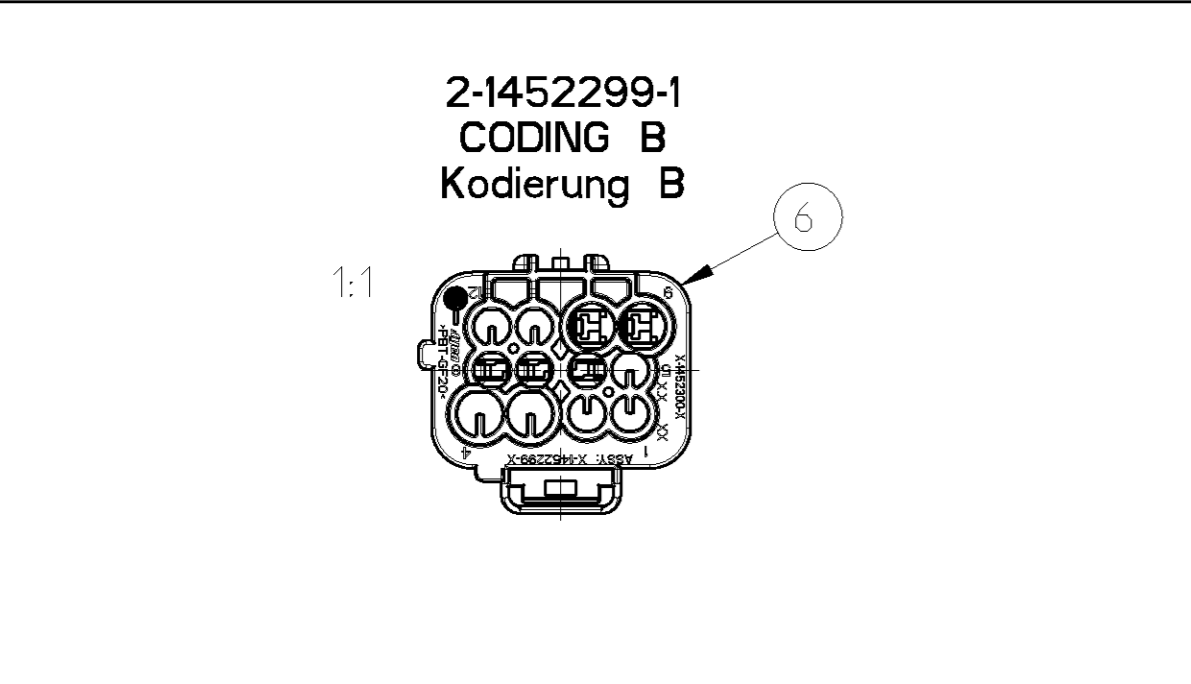
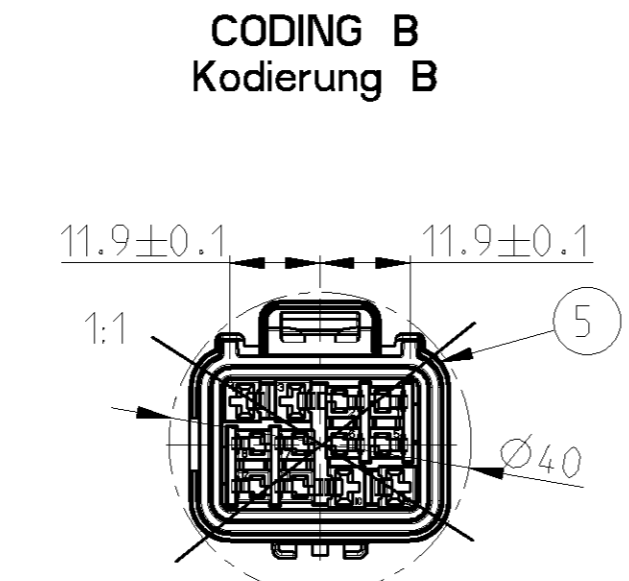
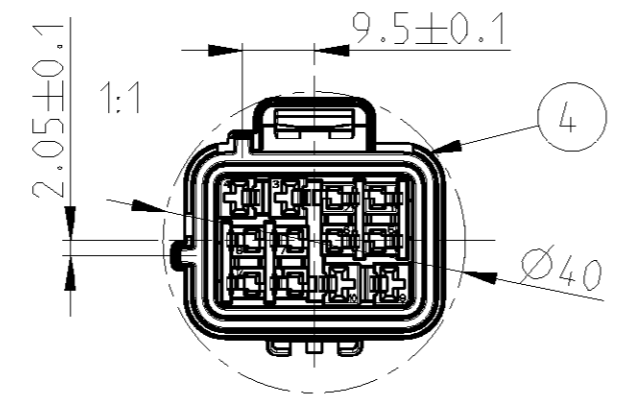
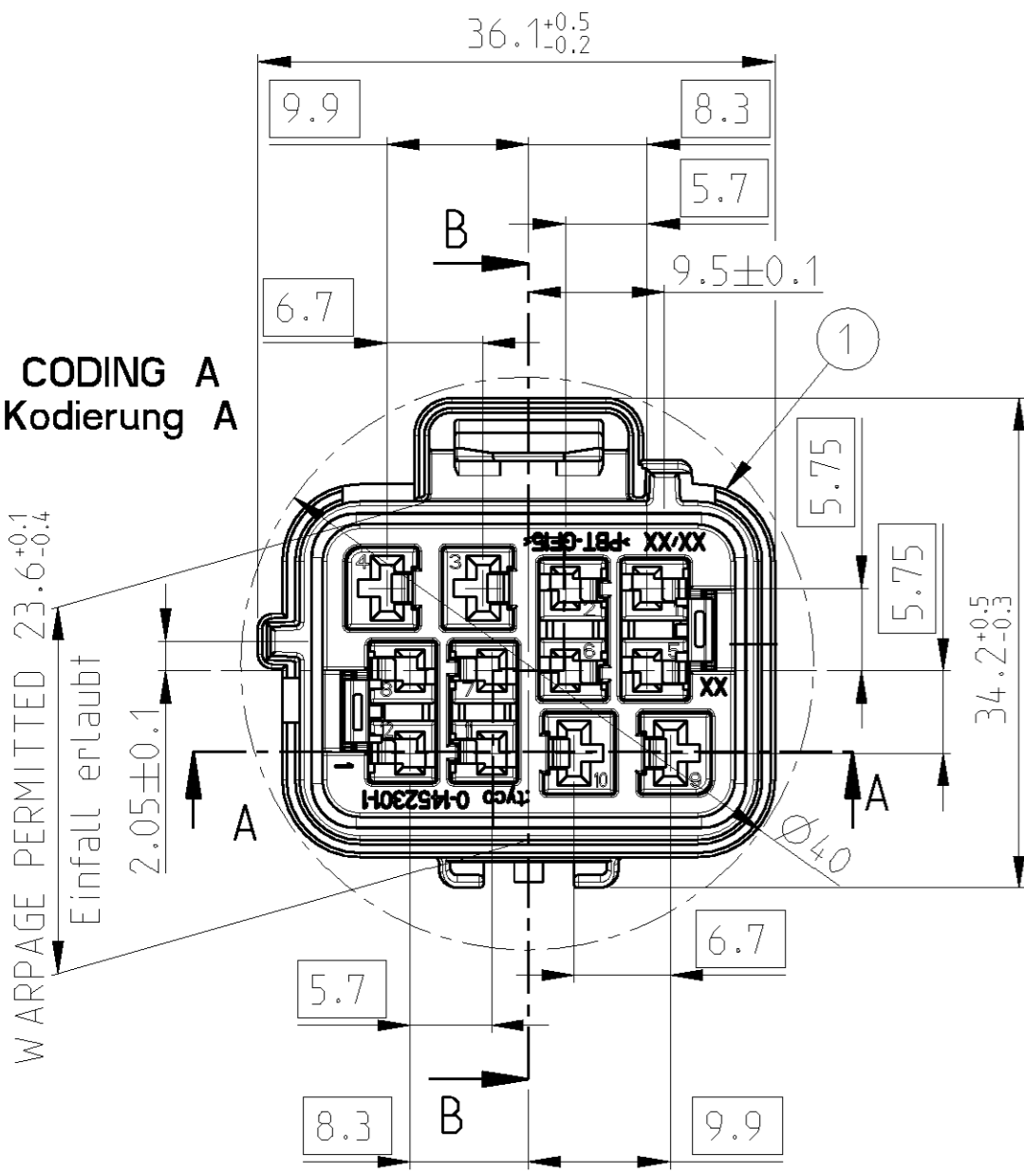
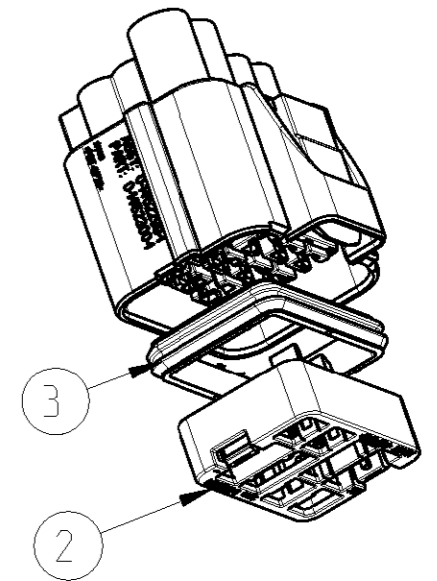
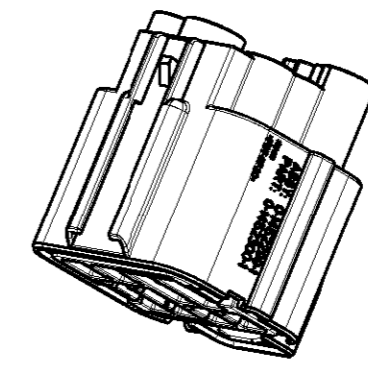
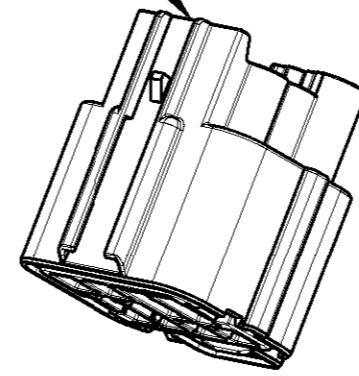


1	2	3	4	5	6	7	8	9	10	11	12	ASSY NO	CODING
						X	X	X	X	X		2-1452299-1	B
X	X	X	X	X	X	X	X	X	X	X	X	0-1452299-3	C
X	X	X	X	X	X	X	X	X	X	X	X	0-1452299-2	B
X	X	X	X	X	X	X	X	X	X	X	X	0-1452299-1	A

WITH "X" MARKED INDICATE OPEN LOCATIONS FOR TERMINALS  
 Markierte Felder mit "X" kennzeichnen offene Kammern fuer Kontakte  
 BLANKED CAVITIES INDICATE CLOSED LOCATIONS  
 Leere Felder kennzeichnen geschlossene Kammern

1.5MM FEMALE TERMINAL SEALED  
 SUITABLE TERMINALS: FORD CAT2 (SUPPLIER YAZAKI)  
 2.8MM FEMALE TERMINAL SEALED  
 SUITABLE TERMINALS: FORD CAT3 (SUPPLIER YAZAKI OR TYCO)

OPTIMAL FEATURES:  
 Optionale Merkmale:



NOTES:  
 Bemerkungen:  
 1 DELIVERY CONDITION: SPACER IN PRE LOCK POSITION  
 Anlieferungszustand: Spacer in Vorraststellung  
 SC SIGNIFICANT CHARACTERISTIC  
 Significantes Merkmal

QTY	DESCRIPTION	MATERIAL	DESCRIPTION	COLOUR	ITEM NO
1x	FEMALE HSG. CODING B	PBT-GF20	FEMALE HSG. CODING B	green	6
1x	FEMALE HSG. CODING C	PBT-GF20	FEMALE HSG. CODING C	nature	5
1x	FEMALE HSG. CODING B	PBT-GF20	FEMALE HSG. CODING B	green	4
1x	PERIPHERAL SEAL	SILICON	PERIPHERAL SEAL	orange	3
1x	SPACER	PBT-GF15	SPACER	red	2
1x	FEMALE HSG. CODING A	PBT-GF20	FEMALE HSG. CODING A	black	1
G	REVISION OF EACH ASSY NO (WHEN BLANK, USE DWG REVISION)	G	G		
19.2	WEIGHT OF EACH ASSY NO (g)	19.2	19.2		
2-1452299-1	0-1452299-3	0-1452299-2	0-1452299-1		TYCO ASSY PN
B	C	B	A		CODING
2-1452303-1	0-1452303-3	0-1452303-2	0-1452303-1		MATING COMPONENT TYCO ASSY PN
PARTS LIST					

THIS DRAWING IS A CONTROLLED DOCUMENT FOR TYCO ELECTRONICS CORPORATION IT IS SUBJECT TO CHANGE AND THE CONTROLLING ENGINEERING ORGANIZATION SHOULD BE CONTACTED FOR THE LATEST REVISION.		DWN S. DENTER 15 JUL 2002 CHK G. PUCKEL 04 OCT 2002 APVD G. MUMPER 04 OCT 2002	<b>tyco</b> Electronics tyco Electronics AMP GmbH D - 64625 Bensheim
DIMENSIONS: mm 	TOLERANCES UNLESS OTHERWISE SPECIFIED: 0 PLC ±- 1 PLC ±- 2 PLC ±- 3 PLC ±- 4 PLC ±- ANGLES ±5 FINISH	PRODUCT SPEC APPLICATION SPEC WEIGHT	NAME 12 POS. INLINER TO REAR BUMPER CON. ASSY FEMALE HOUSING SIZE A2 CAGE CODE 00779 DRAWING NO G-1452299 RESTRICTED TO - SCALE 2:1 SHEET 1 OF 1 REV G1
MATERIAL -		CUSTOMER DRAWING	

-1 AS SHOWN  
 wie gezeichnet