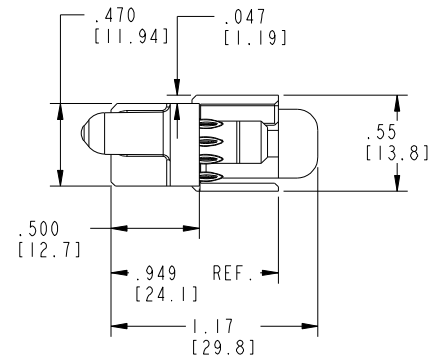
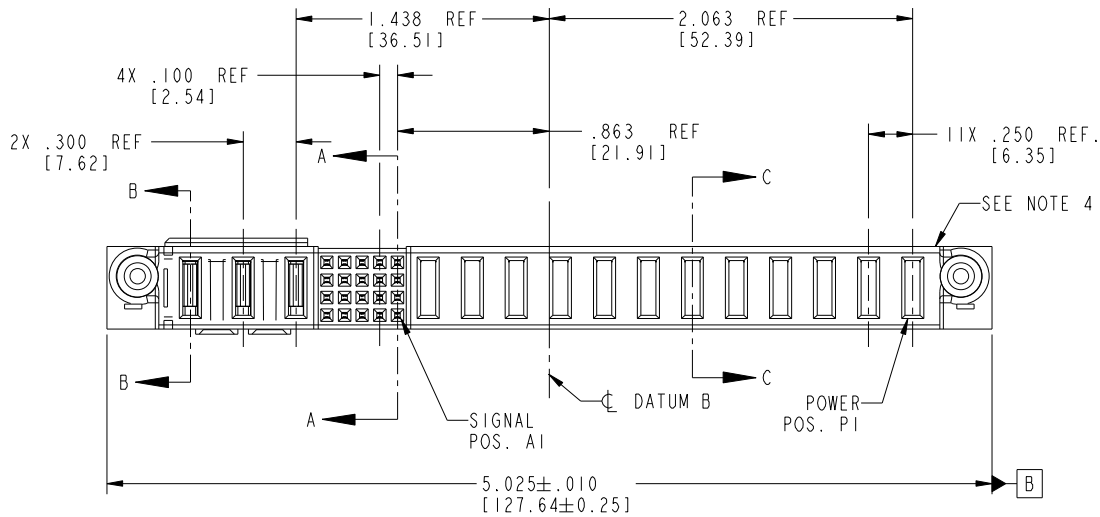
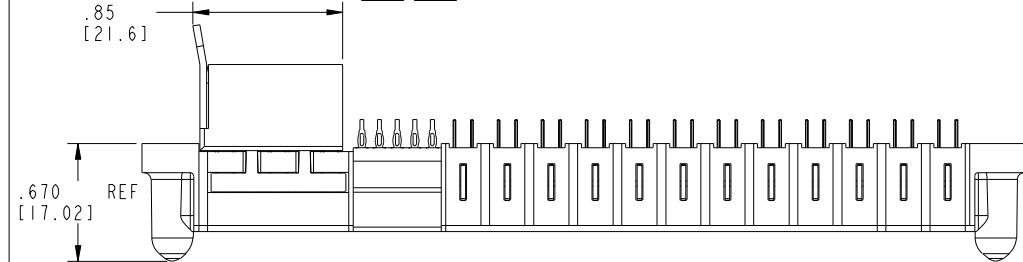


Tous droits strictement réservés. Reproduction ou communication à des tiers interdite sous quelque forme que ce soit sans autorisation écrite du propriétaire. Propriété de c.FCI. Droits de reproduction FCI.



All rights strictly reserved. Reproduction or issue to third parties in any form whatever is not permitted without written authority from the proprietor. Property of FCI. Copyright FCI.

PRODUCT NO.	ROWS	POWER			SIGNAL			POWER															
		E2	P15	P14	P13	5	4	3	2	1	P12	P11	P10	P9	P8	P7	P6	P5	P4	P3	P2	P1	E1
51897-007 NOTE: ③	D C B A		PH	PH	PG	PF	PF	PF	PF	PF	PF	PF	PF	PF	PF	PF	PF	PF	PF	PF	PF	PF	



CODE	DIM "M"	MATING LENGTH	CONTACT TYPE
F	N/A	[N/A]	SIGNAL
PF	.092	[2.34]	POWER
PG	.042	[1.07]	POWER
PH	.092	[2.34]	POWER

mat'l code SEE NOTE 2				tolerances unless otherwise specified				CUSTOMER	
lfr	ecn no.	dr	date	linear	.XX±.01/0.X±0.3			COPY	
A	V03-1207	TAB	11/11/03		.XXX±.005/0.XX±0.13			projection	
B	DG05-0200	SJ	07/04/05	angles	.XXX±.0020/0.XXX±0.051			INCH/MM	
C	DG05-0210	SJ	07/05/05		0°±2°			scale	
D	DG06-0381	HEAVEN	09/12/06	dr	M. MOSTOLLER	8/1/03	1:1		
				enrg	M. MOSTOLLER	8/1/03	A		
				chr	H. BREWBAKER	8/1/03	cage code		
				appd	M. MOSTOLLER	8/1/03	22526		
sheet index	revision sheet	D	D	D	D	D	4		
		1	2	3	4	5	4		

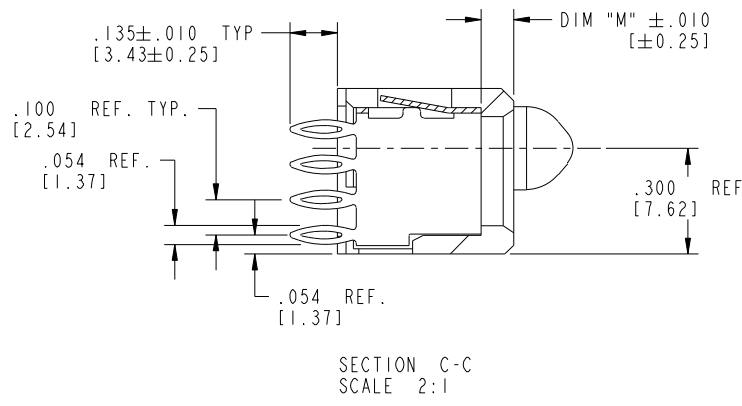
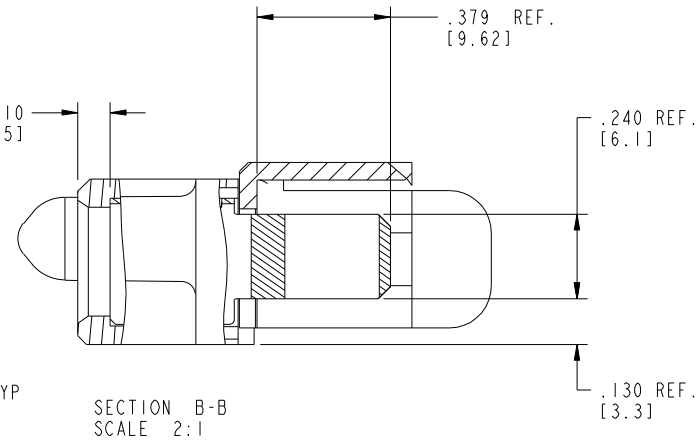
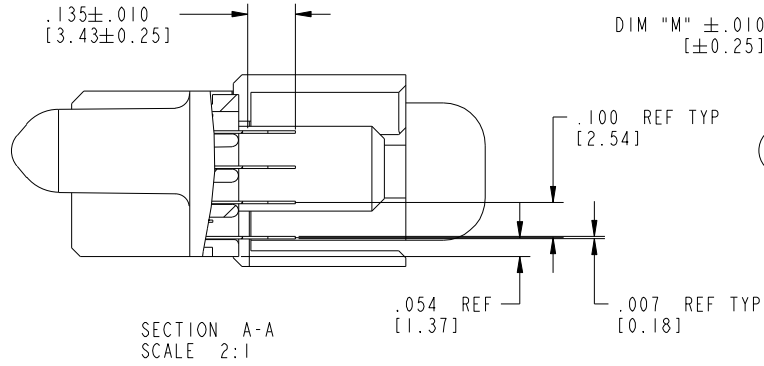
www.fciconnect.com		title	
12P + 20S + 3ACP		VERT PRESS FIT RECEPT CABLE PORT	
product family PwrBlade		code 213	
size dwg no		sheet 1 of 5	
51897-007			

Pro/E 3 cage code 22526 4

Tous droits strictement reserves. Reproduction ou communication a des tiers interdite sous quelque forme que ce soit sans autorisation ecrite du proprietaire. Propriete de c FCI. Droits de reproduction FCI.

All rights strictly reserved. Reproduction or issue to third parties in any form whatever is not permitted without written authority from the proprietor. Property of FCI. Copyright FCI.

PRODUCT NUMBER
51897-007--
NOTE: ③



mat'l code		SEE NOTE 2		tolerances unless otherwise specified		CUSTOMER		FCJ	
ltr	ecn no.	dr	date	linear	.XX±.01/0.X±0.3	COPY		www.fciconnect.com	
D					.XXX±.005/0.XX±0.13	projection		title	
				angles	.XXX±.0020/0.XXX±0.051			12P + 20S + 3ACP	
				dr	0°±2°	INCH/MM		VERT PRESS FIT RECEIPT CABLE PORT	
				enrg	M. MOSTOLLER 8/1/03	scale		product family	
				chr	M. MOSTOLLER 8/1/03	1:1		PwrBlade	
				appd	H. BREWBAKER 8/1/03	A		code	
					M. MOSTOLLER 8/1/03			size	
sheet index	revision sheet							dwg no	
								51897-007	
								sheet	
								2 of 5	

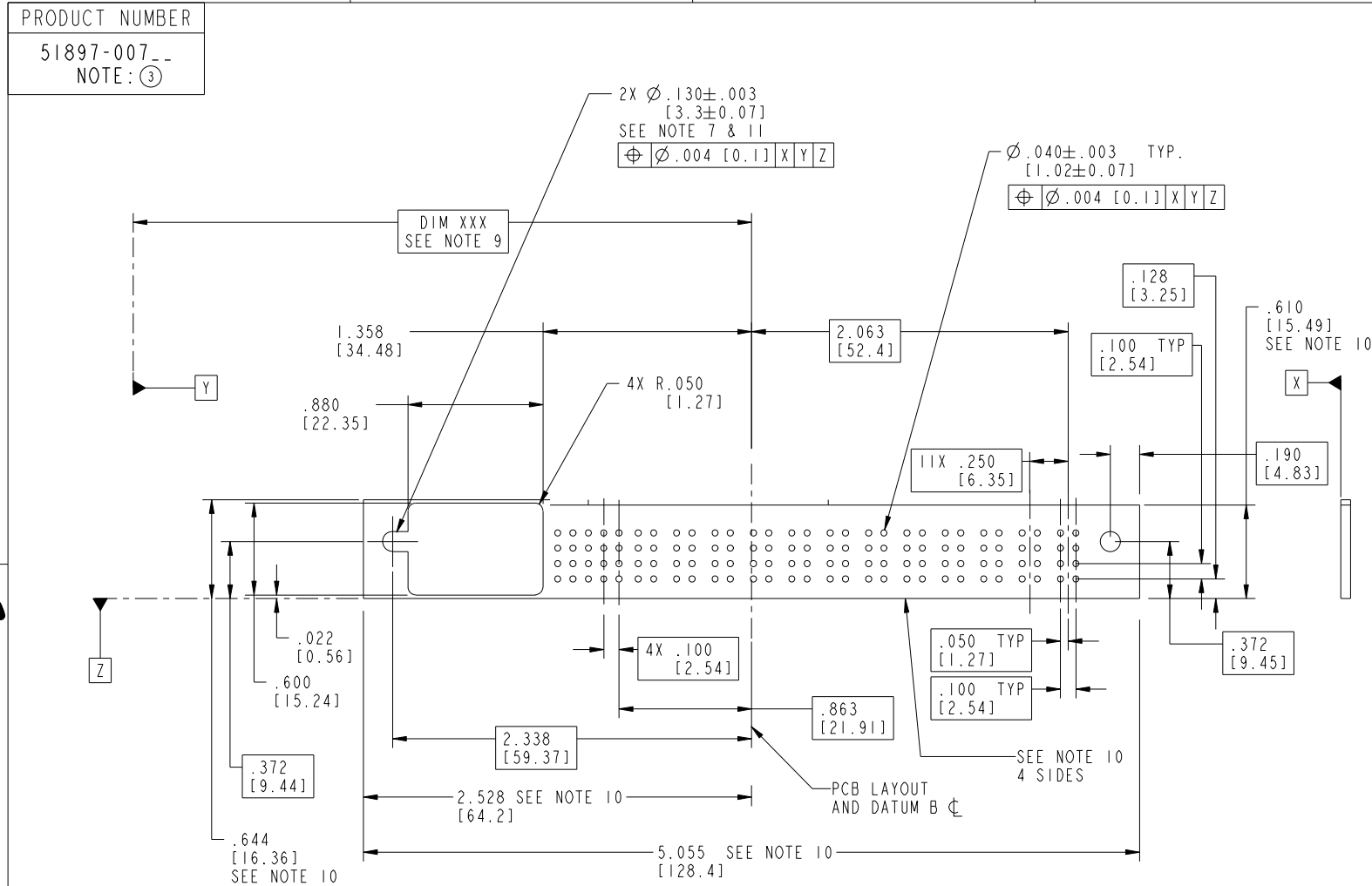
Pro/E

cage code 22526

Tous droits strictement réservés. Reproduction ou communication à des tiers interdite sous quelque forme que ce soit sans autorisation écrite du propriétaire. Propriété de c.FCI. Droits de reproduction FCI.



All rights strictly reserved. Reproduction or issue to third parties in any form whatever is not permitted without written authority from the proprietor. Property of FCI. Copyright FCI.



mat'l code		SEE NOTE 2		tolerances unless otherwise specified		CUSTOMER		FCI		www.fciconnect.com	
ltr	ecn no.	dr	date	linear	.XX±.01/0.X±0.3		COPY		title		
D					.XXX±.005/0.XX±0.13		projection		12P + 20S + 3ACP		
					.XXX±.0020/0.XXX±0.051				VERT PRESS FIT RECEIPT CABLE PORT		
				angles	0°±?		INCH/MM		product family		code
				dr	M. MOSTOLLER	8/1/03	scale		PwrBlade		213
				enr	M. MOSTOLLER	8/1/03	1:1		size		sheet
				chr	H. BRENBAKER	8/1/03	A		dwg no		3 of 5
				appd	M. MOSTOLLER	8/1/03			51897-007		
sheet index	revision sheet										

Pro/E cage code 22526

All rights strictly reserved. Reproduction or issue to third parties in any form whatsoever is not permitted without written authority from the proprietor. Property of FCJ. Copyright FCJ.



Tous droits strictement reserves. Reproduction ou communication a des tiers interalle sous quelque forme que ce soit sans autorisation ecrite du proprietaire. Propriete de c FCJ. Droits de reproduction FCJ.

PRODUCT NUMBER
51897-007--
NOTE: ③

NOTES:

1. DIMENSIONS AND TOLERANCES ARE IN ACCORDANCE WITH ASME Y14.5M, 1994 UNLESS OTHERWISE SPECIFIED.

CONNECTOR NOTES:

2. HOUSING MATERIAL: UL 94 V-0 GLASS FILLED HIGH-TEMP THERMOPLASTIC
POWER CONTACT MATERIAL: COPPER ALLOY
SIGNAL PIN MATERIAL: COPPER ALLOY

③ PLATING SPEC:
51897-007;51897-007LF;51897-007GLF PLATING SPEC. WAS SHOWN IN THE PRINT OF 10064183

4. MANUFACTURER'S NAME, P/N, AND DATE CODE TO APPEAR ON THIS SURFACE.

5. PRODUCT SPECIFICATION GS-12-149.
APPLICATION SPECIFICATION BUS-20-067.

PCB NOTES:

6. ALL HOLE DIAMETERS ARE FINISHED HOLE SIZE.

7. MOUNTING HOLES, WHERE APPLICABLE, ARE UNPLATED.

8. $\varnothing .0453 \pm .0010$ [1.151 ± 0.025] DRILLED HOLES PLATED WITH $.0003$ [0.008] MIN SnPb OR SN OVER $.001$ [0.03] TO $.003$ [0.08] Cu PLATING TO ACHIEVE $\varnothing .040 \pm .003$ [$1.02 \pm .07$] HOLE.

9. "DIM XXX" TO BE DETERMINED BY THE CUSTOMER.

10. CONNECTOR KEEP-OUT ZONE.

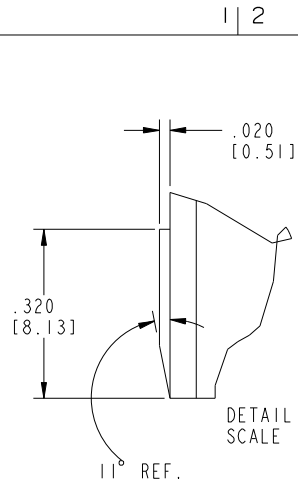
11. RECOMMENDED RETENTION TO PCB
 $\varnothing .13$ [3.3] THRU HOLE FOR #5 SOCKET HEAD CAP SCREW
MAX. HEAD $.205$ [5.2] RECOMMENDED SCREW LENGTH 12mm [$.472$] + PCB THICKNESS.
RECOMMENDED SCREW SEATING TO PCB TORQUE: 2-5 lbf-in (2300-5760 gf-cm).

mat'l code		SEE NOTE 2		tolerances unless otherwise specified		CUSTOMER		FCJ		www.fciconnect.com	
ltr	ecn no.	dr	date	linear	.XX±.01/0.X±0.3		COPY		title 12P + 20S + 3ACP VERT PRESS FIT RECEIPT CABLE PORT		
D					.XXX±.005/0.XX±0.13		projection				
				angles	.XXXX±.0020/0.XXX±0.051				product family PwrBlade code 213		
					0°±2°						
				dr	M. MOSTOLLER	8/1/03	INCH/MM		size dwg no 51897-007 sheet 4 of 5		
				enrg	M. MOSTOLLER	8/1/03	scale				
				chr	H. BREWBAKER	8/1/03	1:1		cage code 22526		
				appd	M. MOSTOLLER	8/1/03					
sheet index	revision sheet										

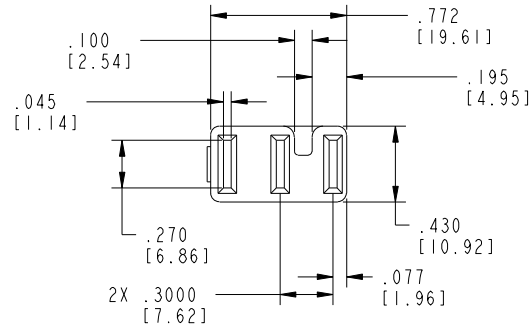
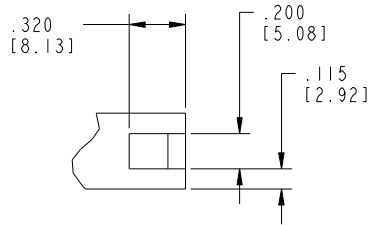
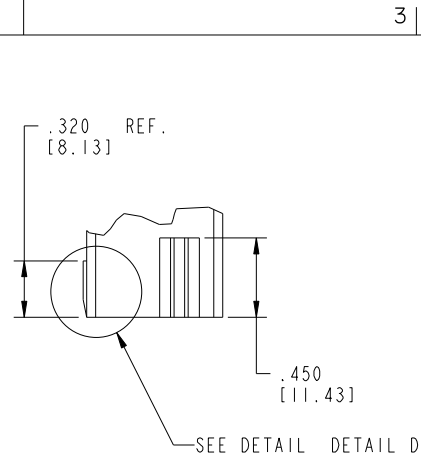
Tous droits strictement reserves. Reproduction ou communication a des tiers interdite sous quelque forme que ce soit sans autorisation écrite du propriétaire. Propriete de c FCI. Droits de reproduction FCI.



All rights strictly reserved. Reproduction or issue to third parties in any form whatever is not permitted without written authority from the proprietor. Property of FCI. Copyright FCI.



DETAIL D
SCALE 3:1



MATING CABLE PLUG (FOR REFERENCE ONLY)

mat'l code		SEE NOTE 2		tolerances unless otherwise specified		CUSTOMER		 www.fciconnect.com		
ltr	ecn no.	dr	date	linear	.XX±.01/0.X±0.3		COPY		title 12P + 20S + 3ACP VERT PRESS FIT RECEPT CABLE PORT	
D					.XXX±.005/0.XX±0.13		projection			product family PwrBlade
					.XXX±.0020/0.XXX±0.051		 INCH/MM			
				angles	0°±2°		scale		sheet 5 of 5	
				dr	M. MOSTOLLER	8/1/03	A		size dwg no 51897-007	
				engr	M. MOSTOLLER	8/1/03	1:1			
				chr	H. BREWBAKER	8/1/03				
				appd	M. MOSTOLLER	8/1/03				
sheet index	revision sheet								cage code 22526	

Pro/E

cage code 22526