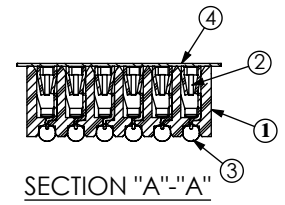
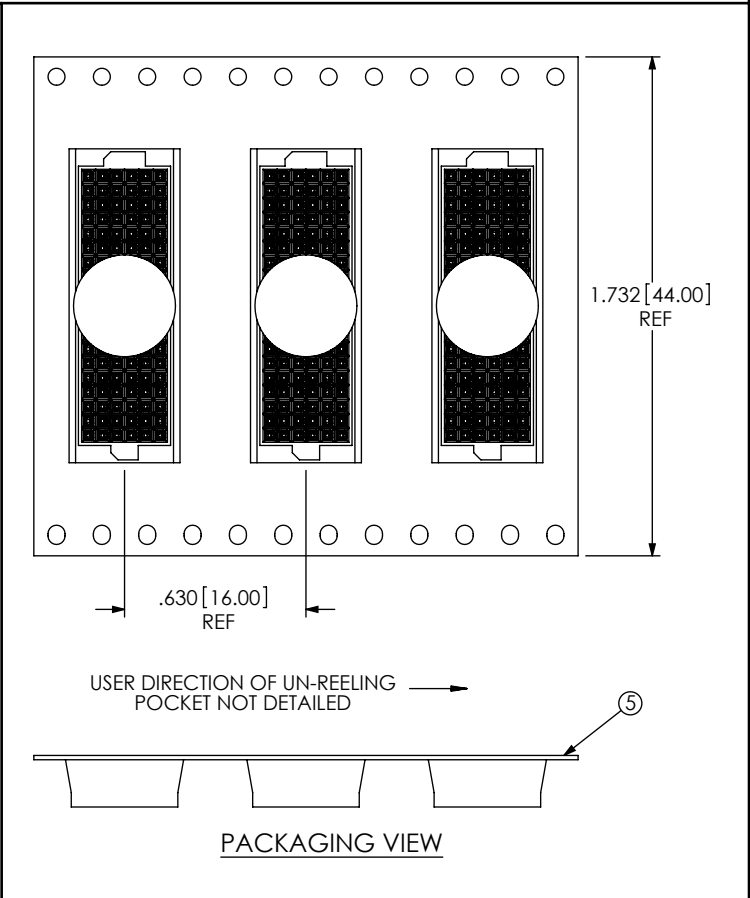
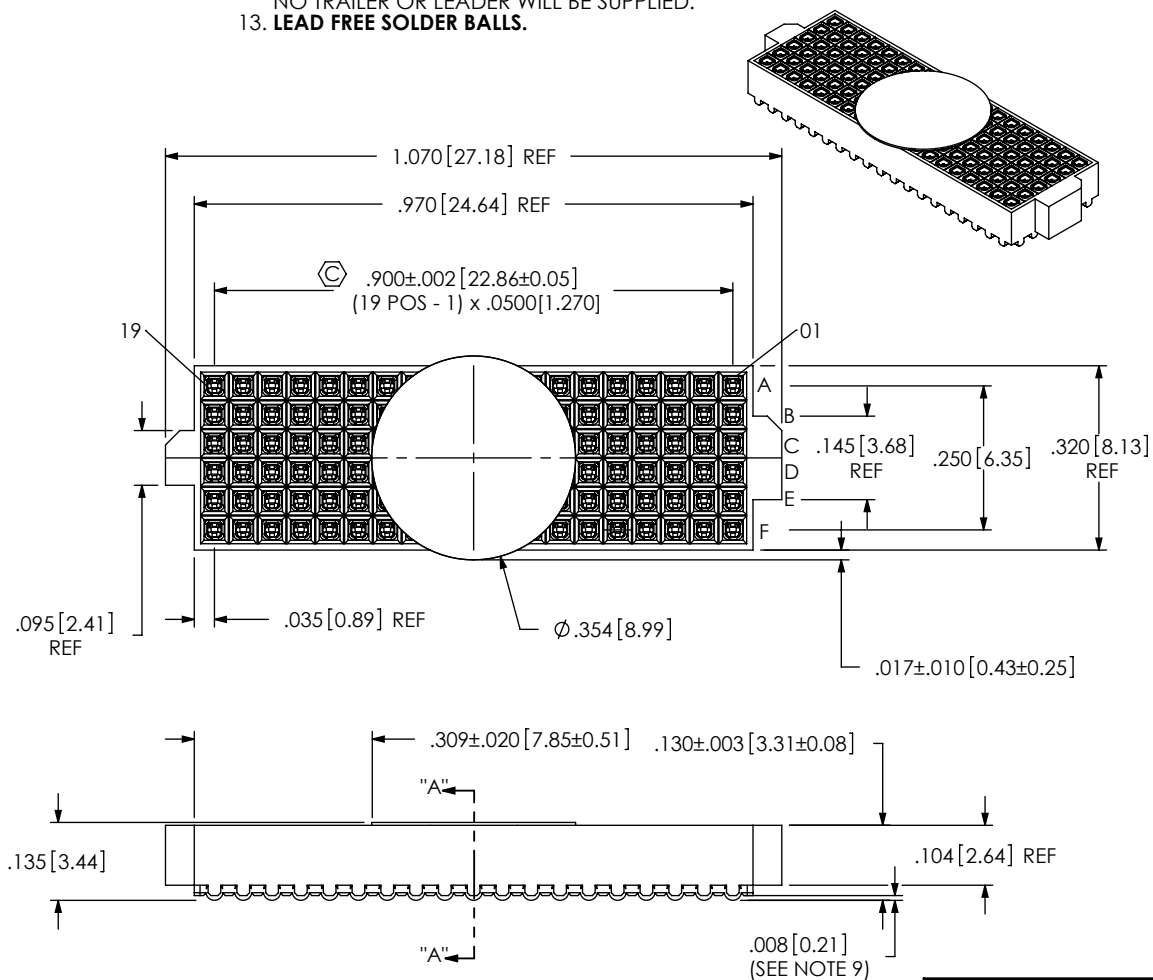


- NOTES:
1. USE ASP-103597-01-B BODY FOR NON-STANDARD 19 POSITION.
  2. Ⓞ REPRESENTS A CRITICAL DIMENSION.
  3. MAXIMUM BURR ALLOWANCE: .0005[0.013] .
  4. MINIMUM PUSHOUT FORCE: .5 LB
  5. MAXIMUM ALLOWABLE BOW: .002[0.05] INCH/INCH AFTER ASSEMBLY.
  6. CONTACT TO BE FLUSH ±.002[0.05]
  7. ONE REEL MINIMUM PLATING REQUIREMENT (85,000 CONTACTS PER REEL).
  8. ALL DIMS TO BE SYMMETRICAL ABOUT THE CENTERLINE WITHIN ±.001 [0.03].
  9. MAXIMUM VARIATION BETWEEN SOLDERBALLS: .0025[0.064]
  10. REFER TO VISUAL INSPECTION BOARD FOR SOLDERBALL APPEARANCE CHECKS.
  11. THE DISTANCE FROM THE CENTER OF ANY SOLDERBALL TO THE CENTER OF ANY ADJACENT INNER PEG SHALL BE .025±.005[0.64±0.13].
  12. PARTS TO BE PACKAGED IN TAPE & REEL. FOR QTY'S LESS THAN 125 PCS, NO TRAILER OR LEADER WILL BE SUPPLIED.
  13. LEAD FREE SOLDER BALLS.

ANY REV MADE TO THIS PRINT MUST HAVE AN UPDATED MKT PRINT

DO NOT SCALE FROM THIS PRINT



| ITEM NO. | PART NUMBER          | QUANTITY | MATERIAL                     |
|----------|----------------------|----------|------------------------------|
| 1        | ASP-103597-01-B      | 1.0000   | UL 94 V0, COLOR: BLACK       |
| 2        | C-140-03-H           | 114.00   | PHOS BRONZE, 521 HARD TEMPER |
| 3        | SDB-030-9653         | 114.00   | 96.5% Sn/3% Ag/.5% Cu        |
| 4        | K-DOT-.354-.469-.005 | 1.0000   | POLYIMIDE FILM               |
| 5        | CT-ASP1132MS         | 1.0000   | CONDUCTIVE POLYMER           |

UNLESS OTHERWISE SPECIFIED, DIMENSIONS ARE IN INCHES. TOLERANCES ARE:

|               |        |
|---------------|--------|
| DECIMALS      | ANGLES |
| .XX: ±.01     | 2°     |
| .XXX: ±.005   |        |
| .XXXX: ±.0020 |        |

PROPRIETARY NOTE  
THIS DOCUMENT CONTAINS INFORMATION CONFIDENTIAL AND PROPRIETARY TO SAMTEC, INC. AND SHALL NOT BE REPRODUCED OR TRANSFERRED TO OTHER DOCUMENTS OR DISCLOSED TO OTHERS OR USED FOR ANY PURPOSE OTHER THAN THAT WHICH IT WAS OBTAINED WITHOUT THE EXPRESSED WRITTEN CONSENT OF SAMTEC, INC.

DO NOT SCALE DRAWING SHEET SCALE: 3:1

PLATING:  
CONTACT AREA: .000030 GOLD OVER .000050 NICKEL  
REMAINDER: .000003 FLASH GOLD OVER .000050 NICKEL

F:\DWG\MISC\MKTG\ASP-103612-02-MKT.SLDDRW

**samtec**

520 PARK EAST BLVD, NEW ALBANY, IN 47150  
PHONE: 812-944-6733 FAX: 812-948-5047  
e-Mail: info@SAMTEC.com code 55322

DESCRIPTION:  
VITA 42 (LEAD FREE) SOCKET ASSEMBLY

DWG. NO.  
ASP-103612-02

BY: WHELAN 09/12/06 SHEET 1 OF 2

