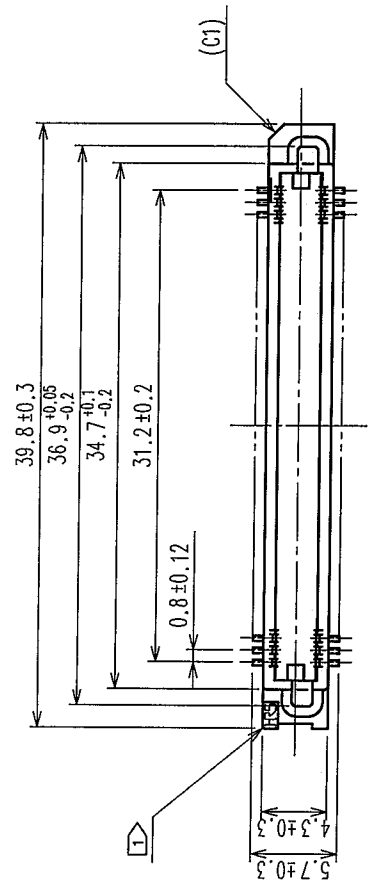
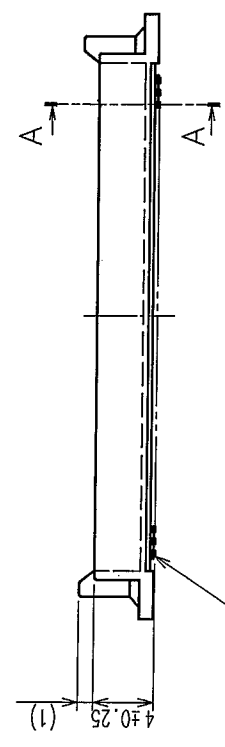
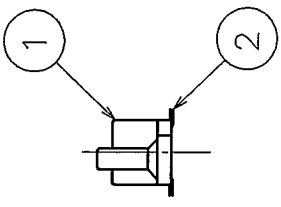
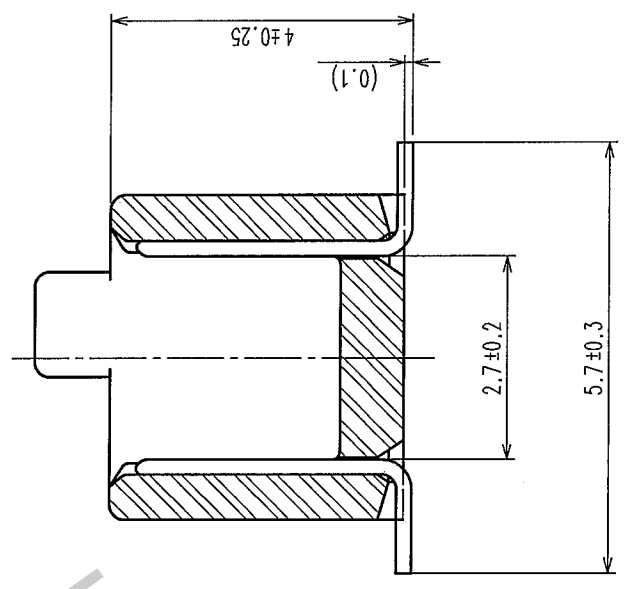


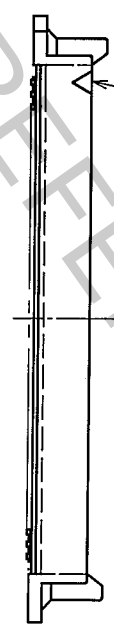
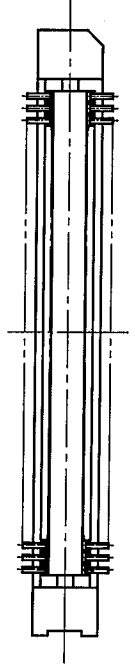
COUNT	DESCRIPTION OF REVISIONS	BY	CHKD	DATE	COUNT	DESCRIPTION OF REVISIONS	BY	CHKD	DATE
△					△				
△					△				
△					△				



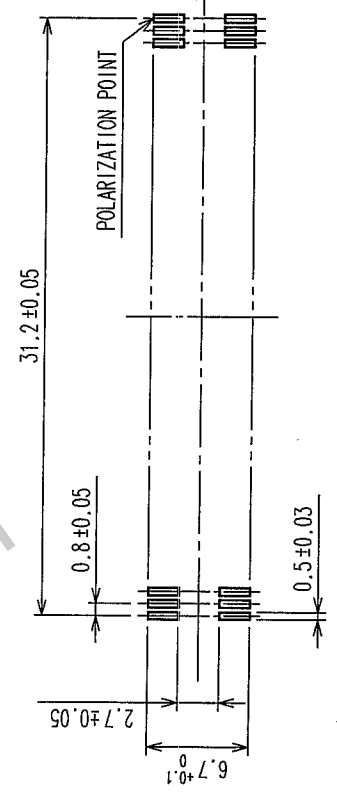
A-A (10:1)



1:0.2±0.05xW:0.35±0.05



RECOMMENDED P.C.B. LAND PATTERN (MOUNT SIDE)

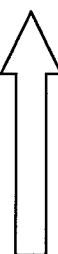


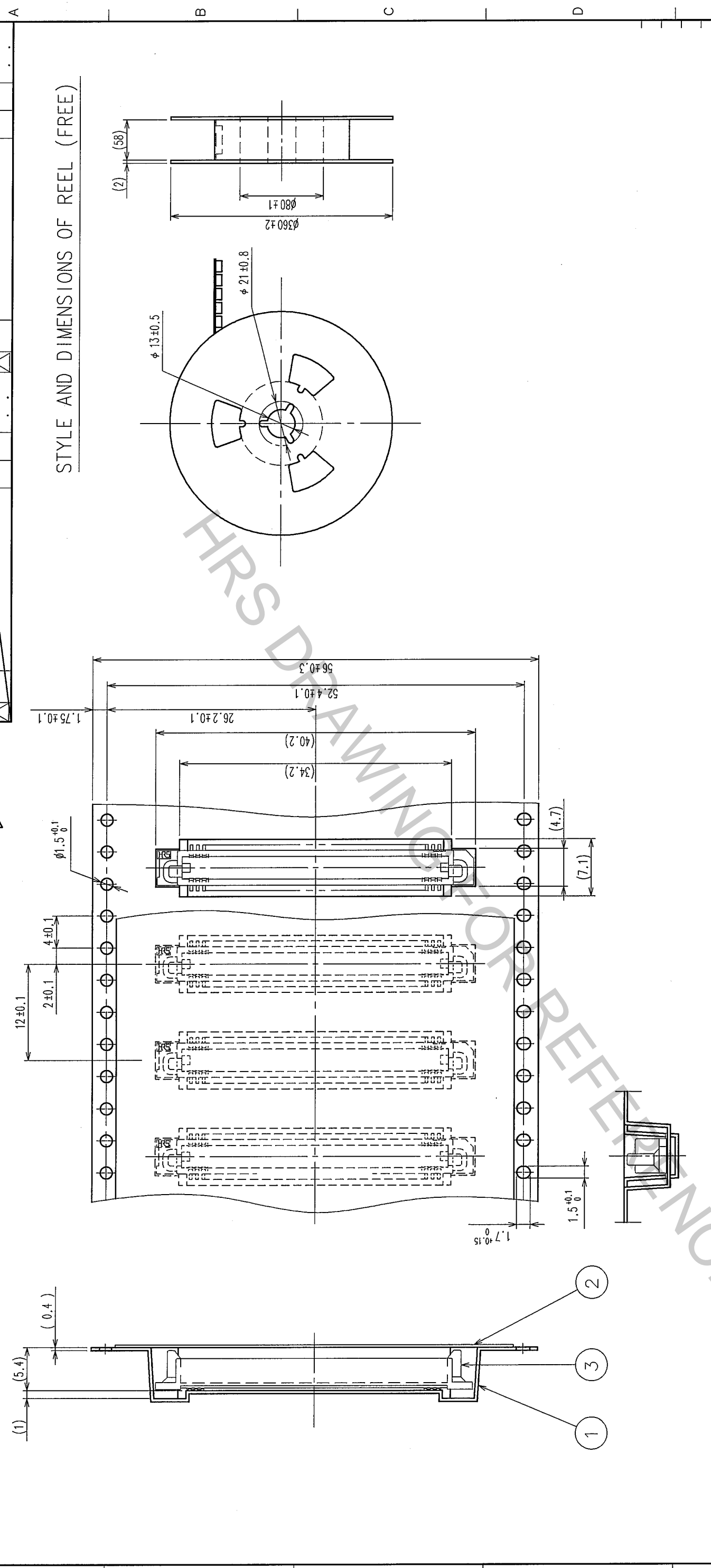
- NOTE
- 1 HRS MARK SHALL BE OPTIONAL.
 - 2 LEAD CO-PLANARITY SHALL BE 0.1mm MAX.
 - 3 THE DIMENSIONS IN PARENTHESES ARE FOR REFERENCE.
 - 4 EMBOSSED CARRIER TAPE PACKAGING SHALL BE APPLIED FOR THIS PRODUCT.
 - 5 FOR MODIFICATION, ETC., PREVENTIVE HOLE FOR SINK MARK MAY BE ADDED ACCORDING TO CIRCUMSTANCES.

1	POLYPHENYLENE SULFIDE	LIGHT BROWN	UL94V-0	2	PHOSPHOR BRONZE	CONTACT AREA : GOLD 0.1μ m min. LEAD AREA : GOLD FLASH	
NO.	MATERIAL	FINISH, REMARKS	NO.	MATERIAL	UNDER PLATING : NICKEL 1.5μ m min.	FINISH, REMARKS	
CODE NO. (OLD)			DRAWN	DESIGNED	CHECKED	APPROVED	RELEASED
			Y. AOYAGI	J. Mada	X. Oyama	H. Okawa	
			'05.09.16	'05.09.26	'05.09.26	'05.09.27	
DRAWING NO.		PART NO.		DRAWING NO.		PART NO.	
EDC3-071329-22		FX6A-80P-0.8SV(92)		EDC3-071329-22		FX6A-80P-0.8SV(92)	
SCALE		UNITS		SCALE		UNITS	
2:1		mm		2:1		mm	
HRS HIROSE ELECTRIC CO., LTD				HRS HIROSE ELECTRIC CO., LTD			
CODE NO. CL576-0207-9-92				CODE NO. CL576-0207-9-92			

TO

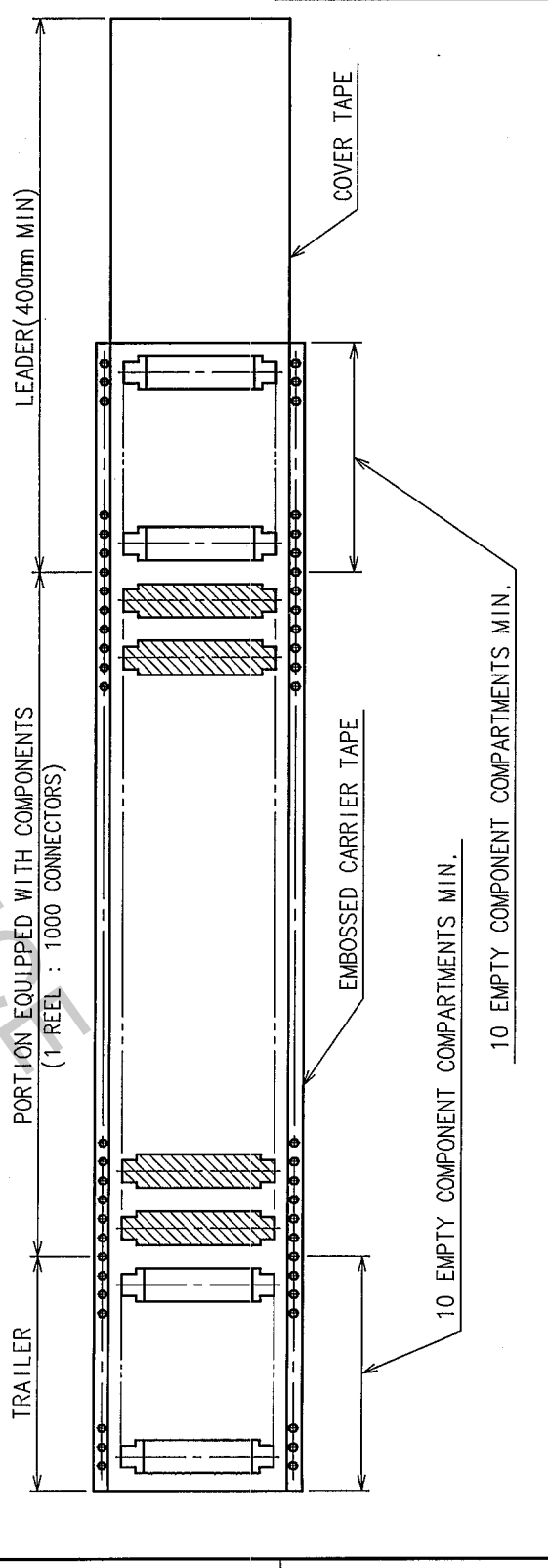
COUNT	DESCRIPTION OF REVISIONS	BY	CHKD	DATE	COUNT	DESCRIPTION OF REVISIONS	BY	CHKD	DATE

DIRECTION OF UNREELING 



STYLE AND DIMENSIONS OF REEL (FREE)

NOTE 1 THE DIMENSIONS IN PARENTHESES ARE FOR REFERENCE.
2 1 REEL : 1000 CONNECTORS.



2	POLYESTER	COVER TAPE	NO.	MATERIAL	FINISH, REMARKS	DESIGNED	CHECKED	APPROVED	RELEASED
1	POLYSTYRENE	EMBOSSED CARRIER TAPE	3		(CONNECTOR)				
DRAWING NO.		EDC3-071329-22		PART NO.		FX6A-80P-0.8SV(92)			
SCALE		2 : 1		CODE NO.		CL576-0207-9-92			
UNITS		mm		DRAWN		Y. AOYAGI		CHECKED	
				DESIGNED		T. Mada		APPROVED	
				DRAWN		05.09.12		RELEASER	
				FINISH, REMARKS		05.09.26		K. Ogawa H. Okawa	
				MATERIAL		05.09.26		05.09.27	
				FINISH, REMARKS					
				FINISH, REMARKS					

TO	
----	--

