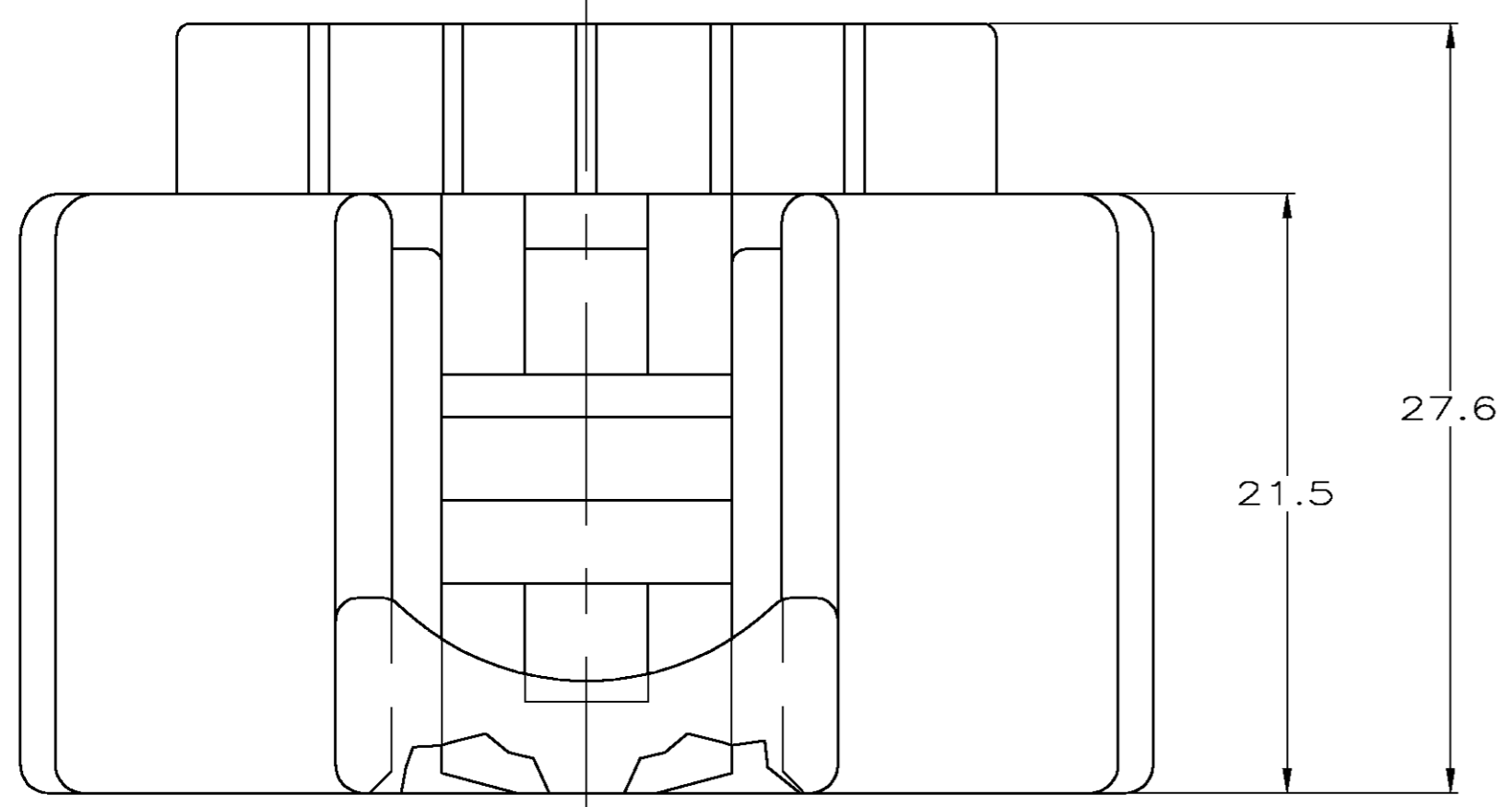
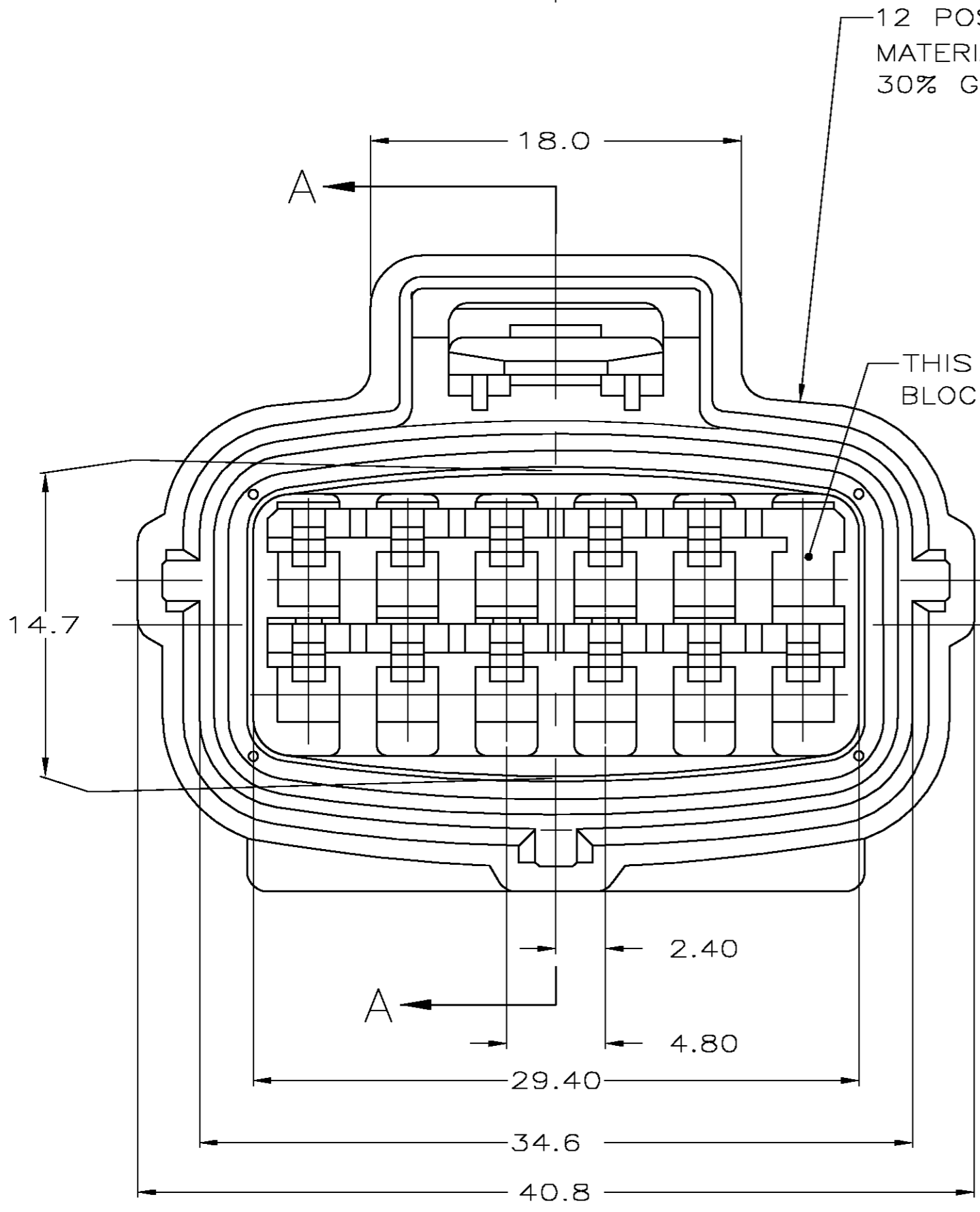


THIS DRAWING IS UNPUBLISHED. RELEASED FOR PUBLICATION
 © COPYRIGHT BY TYCO ELECTRONICS CORPORATION. ALL RIGHTS RESERVED.

LOC		DIST		REVISIONS			
P	LTR	DESCRIPTION	DATE	DWN	APVD		
GE	00	J	REV PER EC 0K40-0448-03	25JUN03	AH	KLC	



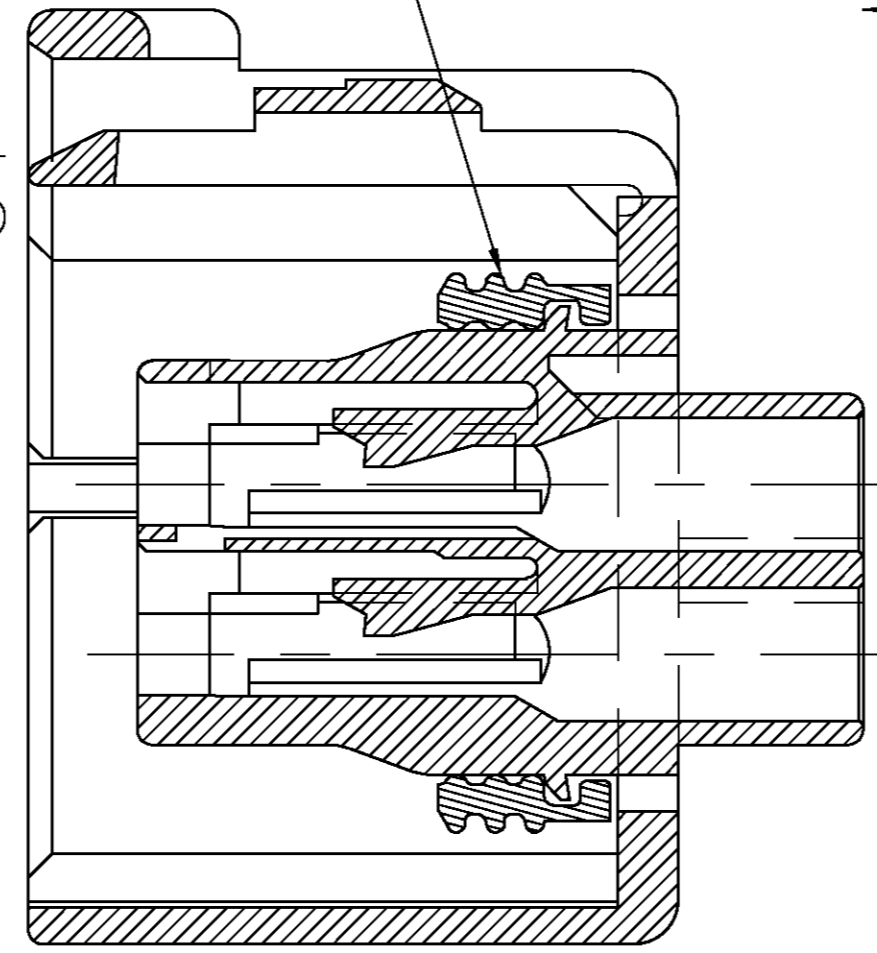
SECONDARY LOCK PLATE, P/N 184058-1, REQUIRED AS A SEPARATE COMPONENT.



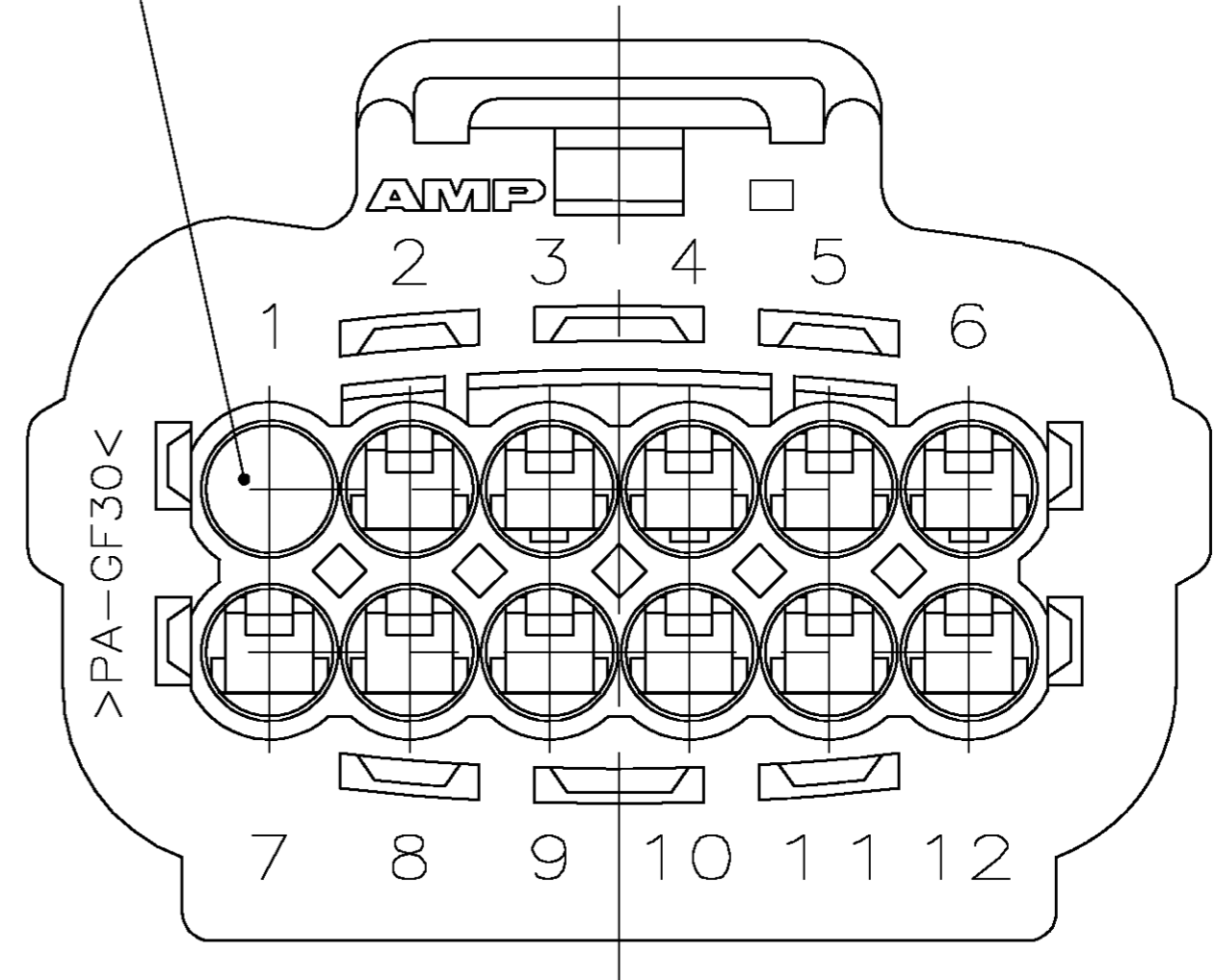
12 POSITION PLUG
 MATERIAL: 4/6 NYLON
 30% GLASS FILLED

SEAL RING
 MATERIAL:
 SILICONE RUBBER

THIS CIRCUIT
 BLOCKED (#1)



THIS CIRCUIT
 BLOCKED



THIS DRAWING IS A CONTROLLED DOCUMENT.		DWN	KD LYTLE	5/16/94	BLACK		184097-1	
DIMENSIONS: MM		CHK	JP KUNKLE	11/10/94	PLUG COLOR		PART NUMBER	
TOLERANCES UNLESS OTHERWISE SPECIFIED:		APVD	JP KUNKLE	11/10/94	Tyco Electronics Corporation		Harrisburg, PA 17105-3608	
0 PLC	± -	PRODUCT SPEC	NAME					12 POSITION PLUG ASSY.
1 PLC	± 0.3	APPLICATION SPEC	SIZE					A2
2 PLC	± 0.15	WEIGHT	CAGE CODE					00779
3 PLC	± -	CUSTOMER DRAWING	DRAWING NO					C=184097
4 PLC	± -	SCALE	SHEET					1 OF 1
ANGLES	± -	SCALE	REV					J
FINISH	-	SCALE	REV					J