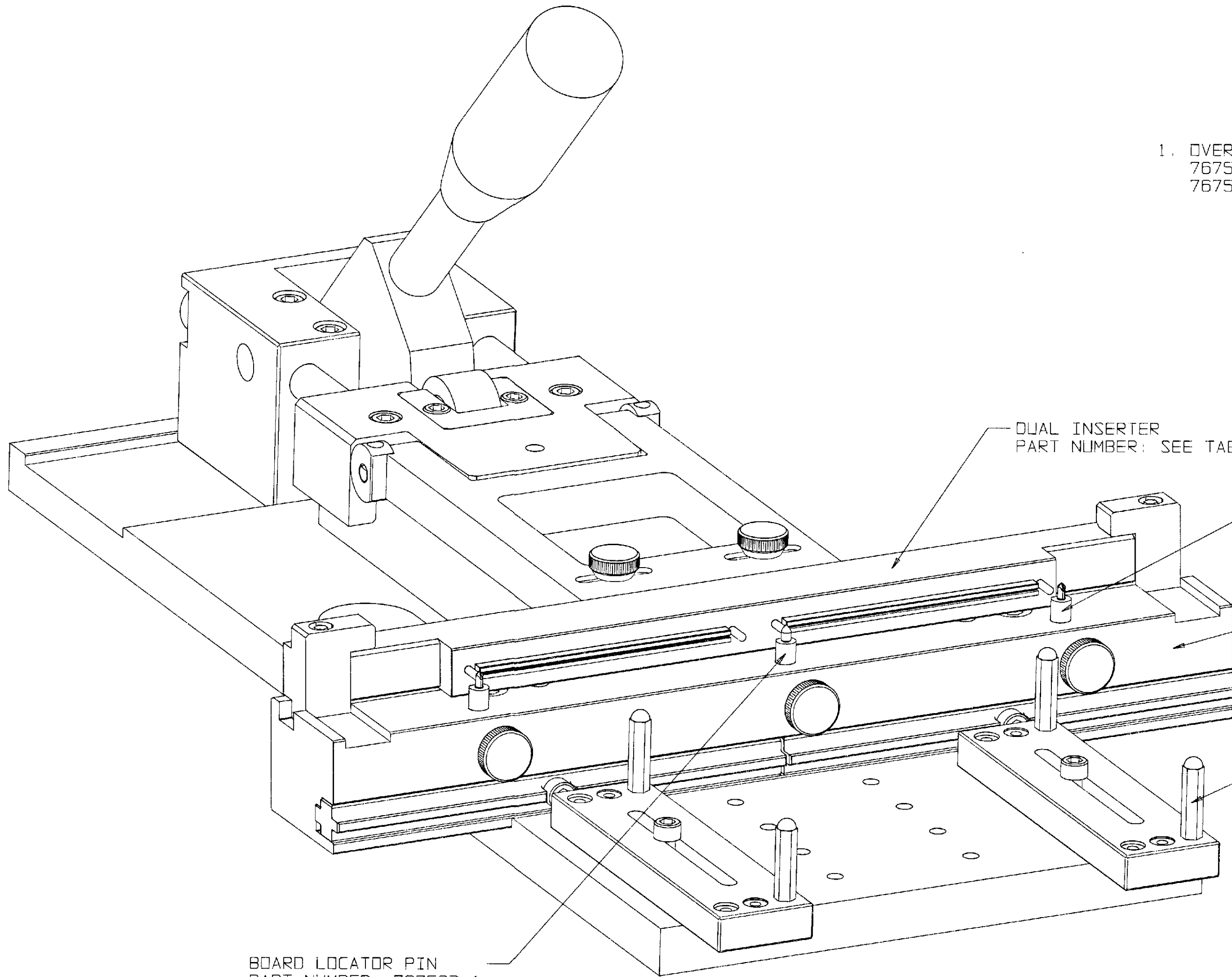


THIS DRAWING IS UNPUBLISHED. RELEASED FOR PUBLICATION
 BY AMP INCORPORATED. ALL RIGHTS RESERVED.

LOC	DIST	REVISIONS			
P	LTR	DESCRIPTION	DATE	DWN	APVD
AD	47				
0		RELEASED	6-13-97	JG	DM



1. OVERALL DIMENSIONS:
 767588-1: L - 16.1, W - 10.2, H - 8.3
 767588-2: L - 16.1, W - 13.2, H - 8.3

DUAL INSERTER
 PART NUMBER: SEE TABLE

BOARD LOCATOR PIN, DIAMOND HEAD
 PART NUMBER: 767526-1
 QUANTITY: 2

SUPPORT BLOCK

SUPPORT PILLAR
 PART NUMBER: 767522-1
 QUANTITY: 4

BOARD LOCATOR PIN
 PART NUMBER: 767523-1
 QUANTITY: 1

7.650 CL, FOR 228 POS	767586-2	767588-2
4.130 CL, FOR 266 POS	767586-1	767588-1
DESCRIPTION	PART NUMBER	PART NUMBER
INSERTER		

THIS DRAWING IS A CONTROLLED DOCUMENT.		DWN J. GERACE 6-13-97	AMP Incorporated Harrisburg, PA 17105-3608
DIMENSIONS: INCHES		CHK D. MCKNIGHT 6-13-97	NAME DUAL APPLICATION TOOL, RIGHT ANGLE CONNECTOR, MICTOR
TOLERANCES UNLESS OTHERWISE SPECIFIED: 0 PLC ±. 1 PLC ±. 2 PLC ±. 3 PLC ±. 4 PLC ±. ANGLES ±.		APVD A. MONK 6-13-97	
MATERIAL	FINISH	PRODUCT SPEC	SIZE A2
		APPLICATION SPEC	CAGE CODE 00779
		WEIGHT	DRAWING NO C-767588
		CUSTOMER DRAWING	SCALE - SHEET 1 OF 1 REV 0