

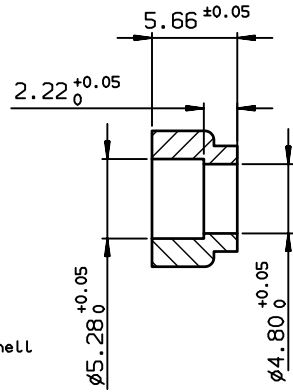
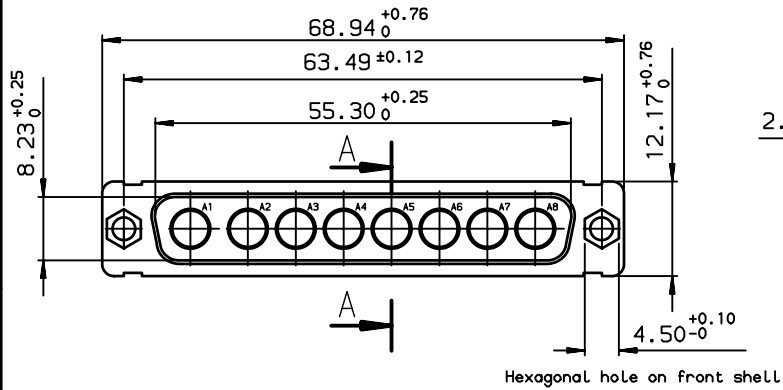
1

2

3

4

Detail alveole A-A

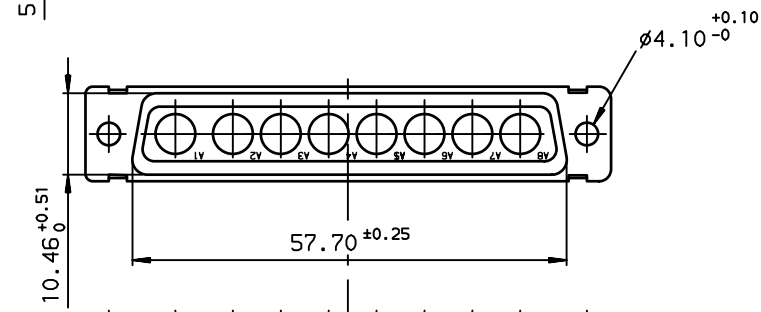
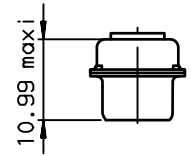
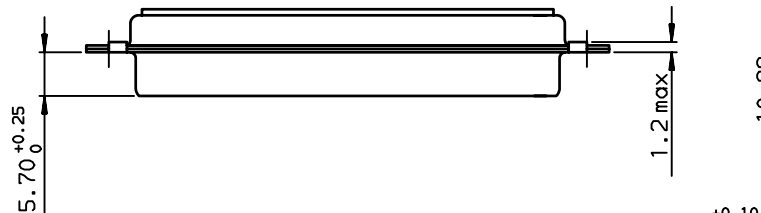


CHARACTERISTICS

Dilectric withstanding voltage	1000V minimum
Insulation resistance	≥5000MΩ
Material insulator	glass filled thermoplastic UL94V0
Material shell	steel
Plating of shell	Cadmium
Temperature range	-55°C, +125°C

TEST RESULTS

Results of Salt Spray test, method 1001 of STD 1344
Shock test results: method 2004 MIL STD 1344 discontinuity ≤1 microsecond
Vibration method 2005 of MIL STD 1344 discontinuity ≤1 microsecond
Humidity method 1002 of MIL STD 1344



TIN LEAD PART NUMBER

Part number	DCM8W8PNSP711
-------------	---------------

European Views

www.fciconnect.com		surface ISO 1302 ✓	tolerance std ISO 406 ISO 1101	projection mm
TOLERANCES UNLESS OTHERWISE SPECIFIED				
Dr	JOUBERT	1993/03/15	ANGULAR	LINEAR
Eng	PESSON	1993/03/15	0.X	±0.1
Chr	LEGARE	1993/03/15	0.XX	±0.1
Appr	LEGARE	1993/03/15	0.XXX	±0.1
Product family			D-SUB	Spec ref -
title		SUB D M. 8 ALVEOLES POUR CONTACTS		Rev.
catalog no		-		E
dwg no		C-8639-420		sheet 1 of 1

rev	ecn no	dr	date
B	-	MAS	2000/08/10
C	LS05-003	MPE	2005/03/28
D	LS05-0127	MPE	2006/01/16
E	LS07-0250	LGO	2007/10/04
-	-	-	-
-	-	-	-
-	-	-	-

Copyright FCJ, FCJ

REV F - 2006-04-17

1

2

3

4