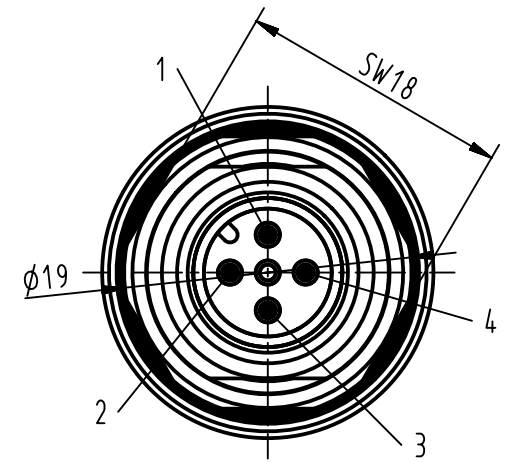
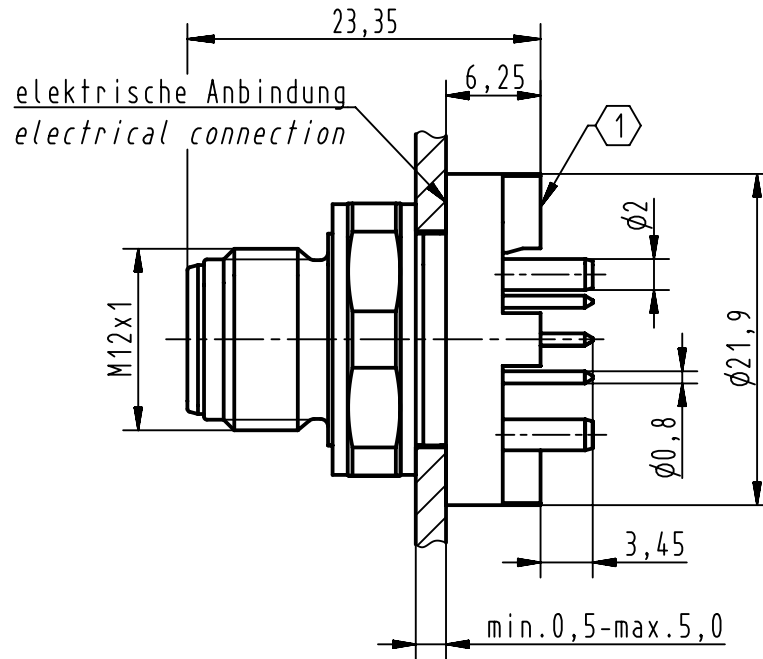
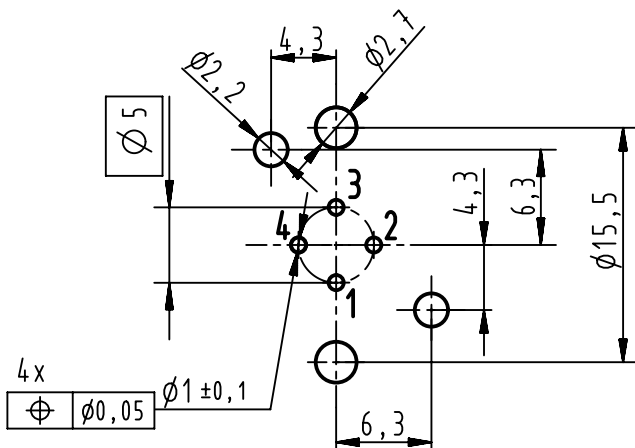
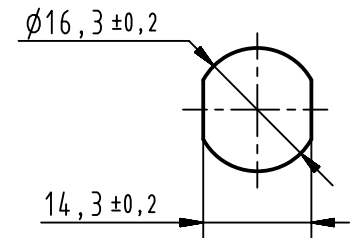
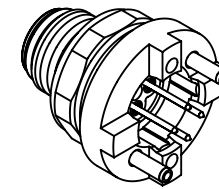


Leiterplatten Lochbild
PCB layout



Montageausschnitt
panel cut out
(1:1)



1 Leiterplattenaufgabe/top surface PCB

empfohlene Leiterplattenstärke: 1,6mm/
recommended PCB-thickness: 1,6mm

	All Dimensions in mm Original Size DIN A4		Scale 2:1	Free size tol.		Ref.	
	All rights reserved Department EC PD - DE		Created by DYCKC	Inspected by HARLASS	Standardisation HOFFMANN	Date 2012-11-26	State Final Release
HARTING Electronics GmbH D-32339 Espelkamp			Title M12 panel feedthrough/PCB straight A-cod.			Doc-Key / ECM-Nr. 100228330/UGD/002/B 500000056709	
			Type TB	Number 21033211420		Rev. B	Page 1/1