

Electronic housing - EMG 90-LG/SET - 2907884

Please be informed that the data shown in this PDF Document is generated from our Online Catalog. Please find the complete data in the user's documentation. Our General Terms of Use for Downloads are valid (<http://phoenixcontact.com/download>)



Electronic housing set, consisting of electronic module and printed circuit termination blocks, pitch 5

Product Features

- ✓ Choice of four cover sizes in transparent or color versions
- ✓ Practical and easy-to-wire conductor connections
- ✓ Uniform and appropriate housing technology
- ✓ User-friendly and safe mounting on DIN rails according to EN 60715
- ✓ High degree of flexibility due to the wide choice of versions
- ✓ Space-saving accommodation of electronic components in finely graded module versions available with 10 to 150 mm pitch
- ✓ Inflammability class V0 insulation material (according to UL 94)
- ✓ Shock and contamination-proof accommodation of electronic components
- ✓ Universal PCBs for all pitches



Key commercial data

| | |
|--------------------------------------|------------|
| Packing unit | 1 pc |
| Weight per Piece (excluding packing) | 202.88 GRM |
| Custom tariff number | 85369010 |
| Country of origin | Germany |

Technical data

General

| | |
|------------------|--------------------------------|
| Housing type | Component housing |
| Housing material | Polycarbonate fiber reinforced |
| Color | green |

Ambient conditions

| | |
|---------------------------------|-------------------|
| Ambient temperature (operation) | -40 °C ... 125 °C |
|---------------------------------|-------------------|

Electronic housing - EMG 90-LG/SET - 2907884

Technical data

Dimensions

| | |
|-----------------------|---------|
| Length | 75 mm |
| Constructional height | 47.5 mm |
| Width | 90 mm |
| Pitch | 5 mm |

Technical data

| | |
|---|--------------------|
| Inflammability class according to UL 94 | V0 |
| Power dissipation at 20°C in the horizontal mounting position | 4.1 W 4.6 W 7.5 mm |
| | 5 W 5.7 W 15 mm |
| | 6.1 W 7.1 W 52 mm |
| Number of positions | 34 |

Articles in set

Electronic housing - EMG 90-LG - 2946256



Electronic housing, for PCB insertion, without screw connection terminal blocks and cover

PCB terminal block base - MKDS 3/ 2 - 1711026



PCB terminal block, Nominal current: 24 A, Nom. voltage: 400 V, Pitch: 5 mm, Number of positions: 2, Connection method: Screw connection, Mounting: Soldering, Conductor/PCB connection direction: 0 °, Color: green, The article can be aligned to create different nos. of positions!

PCB terminal block - MKDS 3/ 3 - 1711039



PCB terminal block, Nominal current: 24 A, Nom. voltage: 400 V, Pitch: 5 mm, Number of positions: 3, Connection method: Screw connection, Mounting: Soldering, Conductor/PCB connection direction: 0 °, Color: green, The article can be aligned to create different nos. of positions!

Electronic housing - EMG 90-LG/SET - 2907884

Articles in set

PCB terminal block - MKDS 3/ 4 - 1711042



PCB terminal block, Nominal current: 24 A, Nom. voltage: 400 V, Pitch: 5 mm, Number of positions: 4, Connection method: Screw connection, Mounting: Soldering, Conductor/PCB connection direction: 0 °, Color: green, The article can be aligned to create different nos. of positions!

Classifications

eCl@ss

| | |
|------------|----------|
| eCl@ss 4.0 | 27180401 |
| eCl@ss 4.1 | 27180401 |
| eCl@ss 5.0 | 27180506 |
| eCl@ss 5.1 | 27180506 |
| eCl@ss 6.0 | 27180802 |
| eCl@ss 7.0 | 27182702 |
| eCl@ss 8.0 | 27182702 |

ETIM

| | |
|----------|----------|
| ETIM 2.0 | EC001031 |
| ETIM 3.0 | EC001031 |
| ETIM 4.0 | EC001031 |
| ETIM 5.0 | EC000886 |

UNSPSC

| | |
|---------------|----------|
| UNSPSC 6.01 | 31261501 |
| UNSPSC 7.0901 | 31261501 |
| UNSPSC 11 | 31261501 |
| UNSPSC 12.01 | 31261501 |
| UNSPSC 13.2 | 31261501 |

Approvals

Approvals

Approvals

GOST

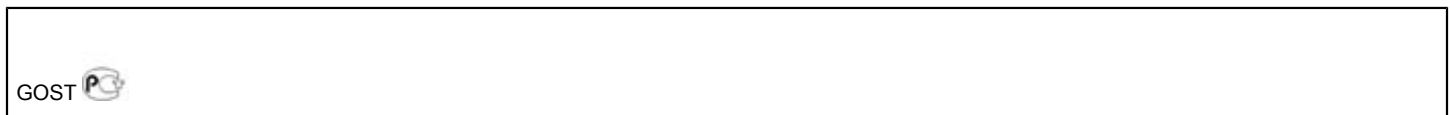
Electronic housing - EMG 90-LG/SET - 2907884

Approvals

Ex Approvals

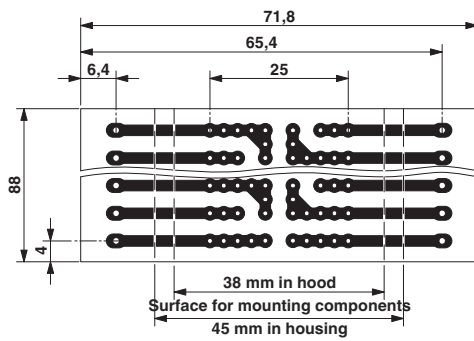
Approvals submitted

Approval details

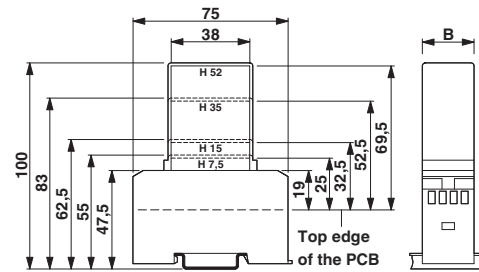


Drawings

Dimensioned drawing



Dimensioned drawing



Pitch 5 mm

a = Area for mounting components, 38 mm in the hood
b = Area for mounting components, 45 mm in the housing

1 = Top edge of the PCB
B = Housing width