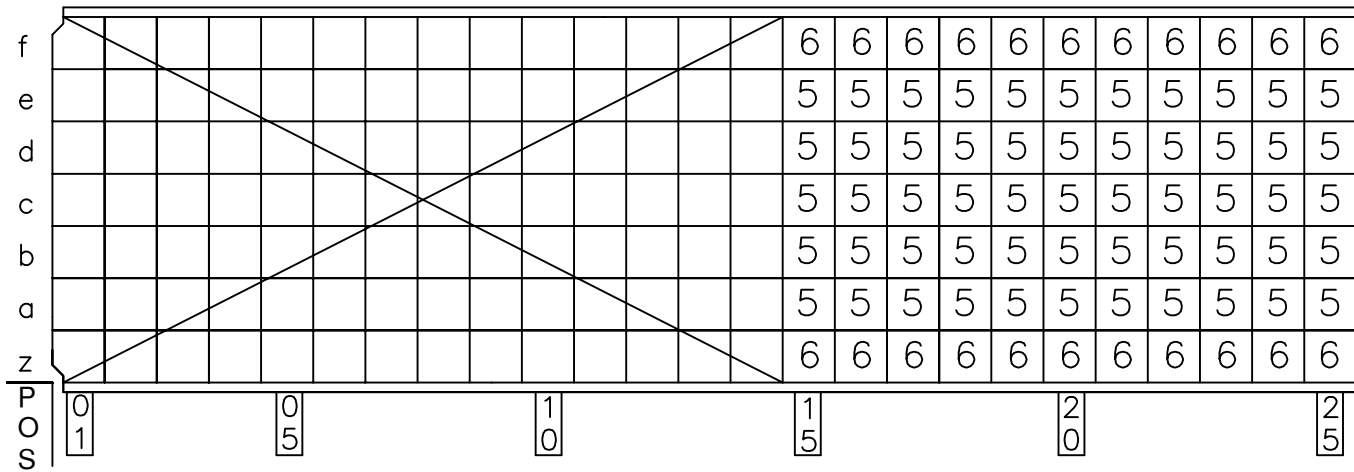
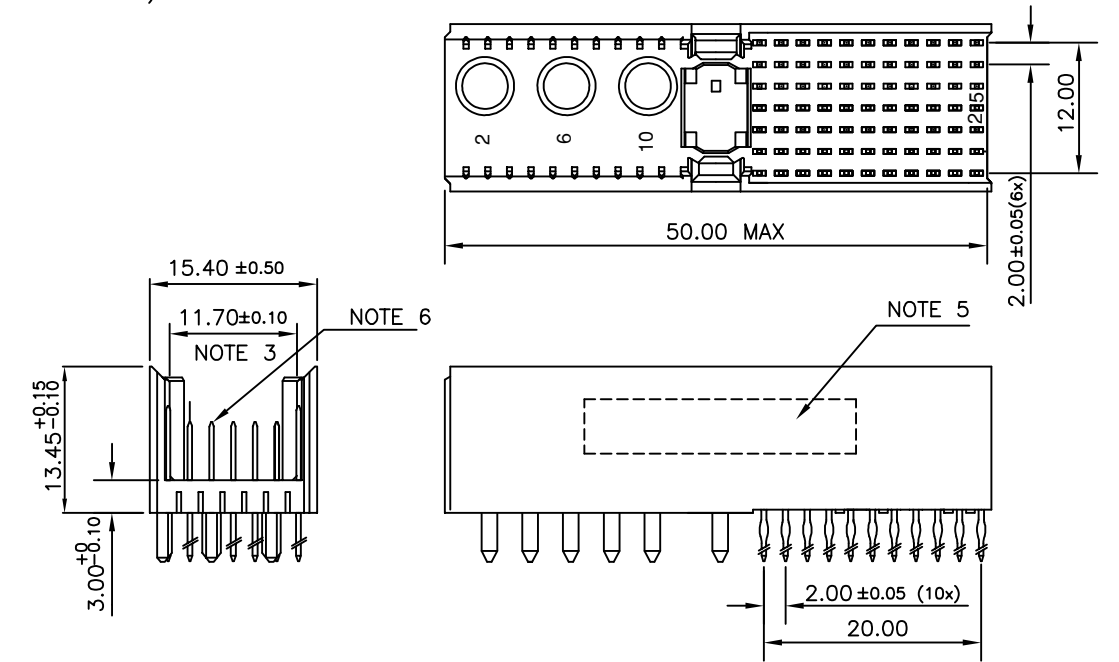


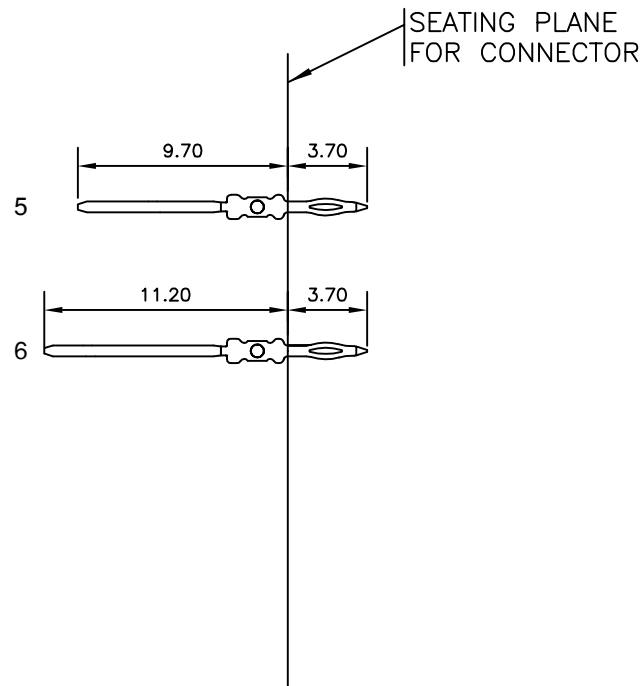
LOADING PATTERN MATING SIDE



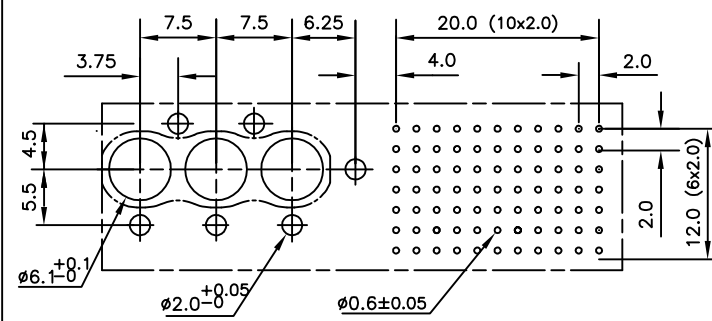
LOADED CONNECTOR ASSEMBLY
(FOR EXAMPLE)



CONTACT OVERVIEW



LAY-OUT P.C.B.-HOLE



HM2P11PDE121 LEAD FREE INDICATOR : LF = LEAD FREE (DIGIT 15 & 16)
PLATING CODE (DIGIT 13 AND 14) (REF DRW NO. BS,C , 201844 , 003)

NOTES

- THIS PRODUCT IS CSA APPROVED.
 - THIS PRODUCT IS UL RECOGNIZED.
 - MEASURED AT THE BOTTOM.
 - MATERIAL CONTACT: PHOSPHORBRONZE
HOUSING: CREAM WHITE GLASS FILLED POLYESTER UL-94V0
 - CONNECTOR PRINTED WITH P/N AND DATE CODE.
 - FOR ACTUAL CONTACT LOADINGS, SEE LOADING PATTERN MATING SIDE.
 - SHAPE OF CONNECTOR HOUSING CAN ALTER DEPENDING ON PRODUCTION LOCATION
 - THE PRODUCT (LF) MEETS EUROPEAN UNION DIRECTIVES AND OTHER COUNTRY REGULATIONS AS DESCRIBED IN GS-22-008
 - FOR RECOMMENDED PTH DIMENSIONS REFER DRAWING : BS, A , 201572 , 001
- CATALOG NO: HM2P11PDE121----

| | | | | | | | |
|---------------------------|----------------|------|------------|---|-------------------------------|----------------|--|
| mat'l. code SEE NOTE 4 | | | | surface ISO 1302 <input checked="" type="checkbox"/> | tolerance ISO 406 ISO 1101 | projection | product family MILLIPACS |
| ltr | ecn no | dr | date | tolerances unless otherwise specified | | MM | title MPACS 5+2R STR HDR PF CONN TYPE M |
| A | I03-0058 | MINI | 2003/10/16 | angles | linear | | |
| B | I05-0183 | MINI | 2005/10/06 | 0°±1° | | | |
| C | I06-0077 | MINI | 2006/06/24 | dr | MINI K VANDANATH | 2003/10/16 | dwg no sheet 1 of 1 size BS, C ,203028, 089 A3 |
| | | | | enr | BIJU K PAUL | 2003/10/16 | |
| | | | | chr | BIJU K PAUL | 2006/06/24 | |
| | | | | appd | BIJU K PAUL | 2006/06/24 | |
| sheet index | revision sheet | C | 1 | type Product Customer Drawing | | | |