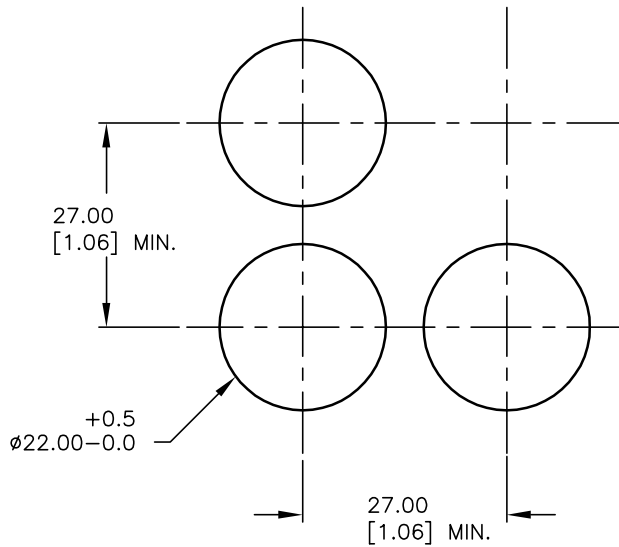
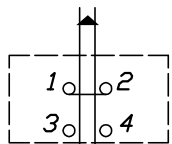


Item	Qty.	Dwg. No.	Part No.
1	1	F051702	25mm RING FOR LA SERIES
2	1	F060604	LASEEV13
3	1	F061254	25MM GREEN LENS
4	1	F050422	LED 24VDC GREEN

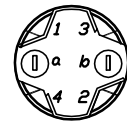
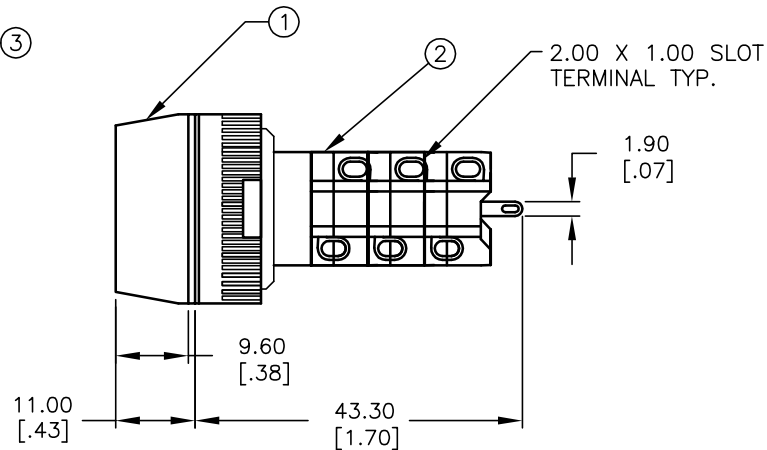
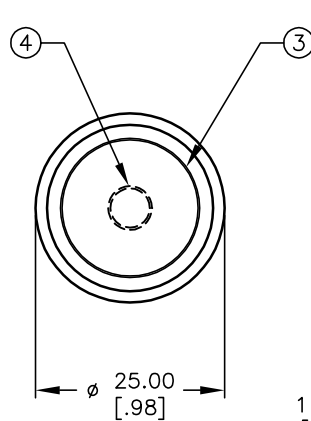


RECOMMENDED PANEL MOUNTING



a-(L)-b(+)

DPST CONTACT CONFIGURATION



NOTES:

1. ALL DIMENSIONS IN MM [INCH]
2. GENERAL TOLERANCE: $0.0 = \pm 0.4$
 $0.00 = \pm 0.25$
3. RATINGS: 250VAC @5A,
125VAC @8A
4. TRAVEL: 3.0mm

E-SWITCH®

TITLE		LASEEV13KGRNGRN			
SCALE	DATE	DR	DWG	REV	
1:1	12/12/03	AR	XF0575P	A	

A	13650	RELEASED FOR PRODUCTION	12/12/03	AR
REV.	ECN No.	DESCRIPTION	DATE	CHKD

THE INFORMATION CONTAINED IN THIS DOCUMENT IS PROPRIETARY TO E-SWITCH AND IS NOT TO BE COPIED OR TRANSFERRED