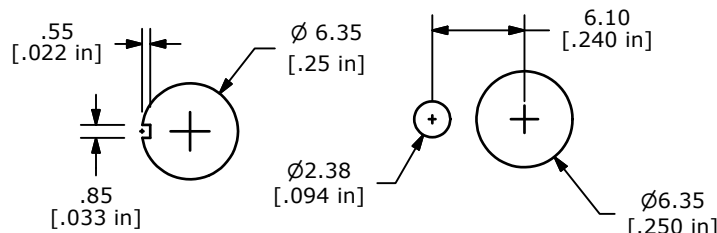
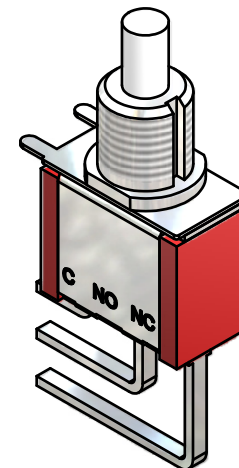


P.C. MOUNTING

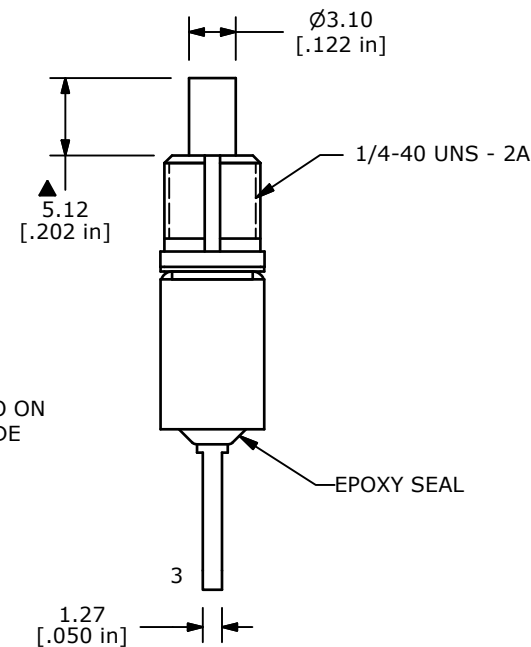
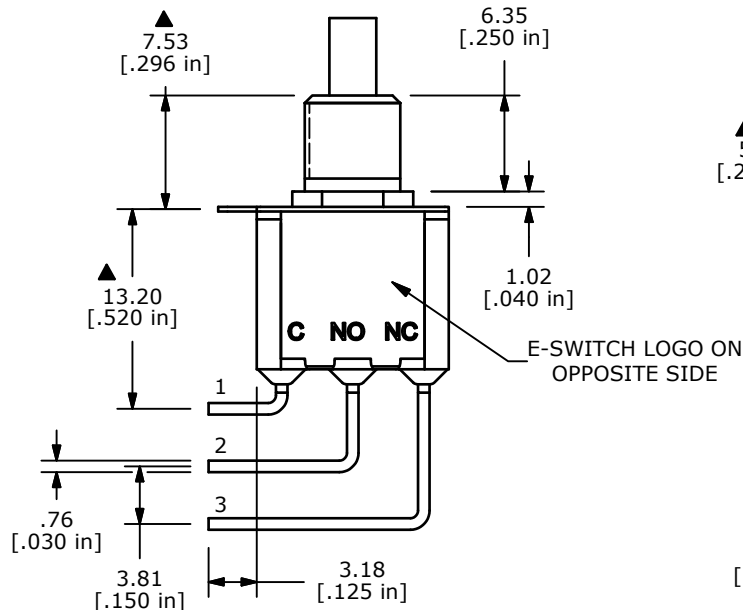
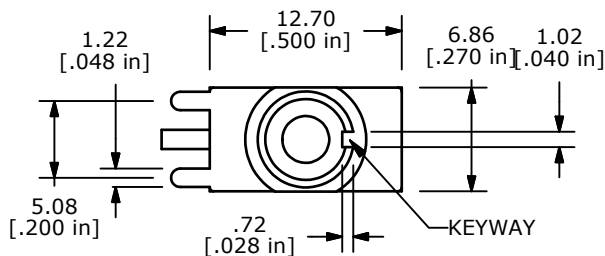
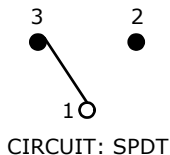


PANEL MOUNTING



SWITCH FUNCTION	
POS. 1	POS. 2
ON	(ON)
1-3	1-2

(ON)=MOMENTARY



- NOTE:
1. ALL DIMENSIONS IN MM [INCH]
  2. GENERAL TOLERANCE: X.X=±0.4  
X.XX=±0.25
  3. TERMINAL NUMBERS FOR REF ONLY
  4. CONTACT MATERIAL: SILVER
  5. RATING: 1A @ 250 VAC  
3A @ 125 VAC or 28 VDC
  6. ELECTRIC LIFE: 50,000 MAKE-AND-BREAK CYCLES AT FULL LOAD
  7. INSULATION RESISTANCE: 1,000 MEGA-OHM MIN.
  8. ACUATION FORCE: 300 ± 100gf
  9. TRAVEL: 1.0 ± 0.2mm
  10. CONTACT RESISTANCE: 20 mOHM MAX.  
TYPICAL @ 2-4 VDC
  11. DIELECTRIC STRENGTH: 1,000 V RMS @ SEA LEVEL.
  12. OPERATING TEMP.: -30°C to 85°C
  13. ▲ DENOTES CRITICAL PARAMETER.
  14. 2002/95/EC (ROHS) COMPLIANT.
  15. HARDWARE TO BE SHIPPED BULK  
T100000 - HEXNUT - QTY 2  
T100011 - LOCKWASHER - QTY 1  
T100015 - LOCKRING - QTY 1



B	20032	DRAWING CLEAN-UP / UPDATE	6/27/11	BGL
A	18343	RELEASED FOR PRODUCTION	12/23/08	BLR
REV	PCR NO	DESCRIPTION	DATE	BY

TITLE 700SP7B10M7QEH				
SCALE 2:1	DATE 12/23/2008	DR BLR	DWG ST711009	REV B

THE INFORMATION CONTAINED IN THIS DOCUMENT IS PROPRIETARY TO E-SWITCH AND IS NOT TO BE COPIED OR TRANSFERRED