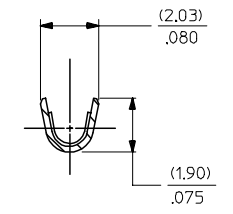
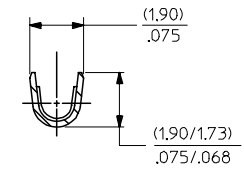
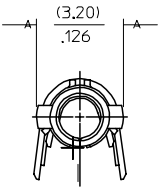
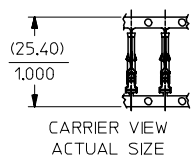


PART NO. ENG. NO.

02-06-1131	1855-(P901)	
02-06-1132	1855-(P901)IL	
02-06-5137	1855-(P591)	OBSOLETE
02-06-5136	1855-(P591)IL	OBSOLETE
02-06-5138	1855-(P561)	
02-06-5139	1855-(P561)IL	
02-06-5130	1855-(P550)	
02-06-5135	1855-(P550)IL	
02-06-5147	1855-(P228)	
02-06-5148	1855-(P228)IL	
02-06-1141	1855-1(P901)	
NOT TOOLED	1855-1(P901)IL	
02-06-1143	1855-(P901)11	

OBSOLETE
OBSOLETE



LEGEND

1855-*(****)*

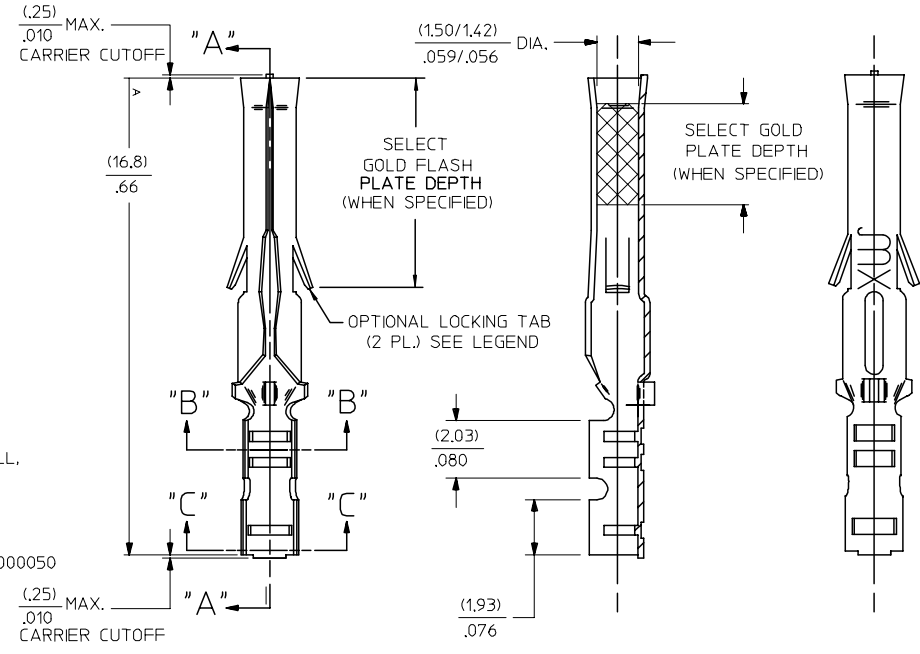
BLANK=WITH LOCKING TABS
1=WITHOUT LOCKING TABS

P=PREPLATE
BLANK=POSTPLATE

FORM
BLANK=CHAIN
1=CHAIN WITH INTERLEAF
PAPER ON REEL.
L=LOOSE
FINISH CODE

NOTES:

- MATERIAL: BRASS
- FINISHES:
 - 901 HOT TIN DIP (.00051)/.000020 MIN.
 - * 228 SELECT GOLD PLATE (.00075)/.000030 MIN. IN CONTACT AREA, SELECT TIN (.00250)/.000100 MIN. IN CRIMP AREA OVER (.00125)/.000050 MIN. NICKEL OVERALL, WITH .000010/(.00025) MAX. SELECT GOLD FLASH IN AREA INDICATED.
 - 561 SELECT GOLD PLATE (.00076)/.000030 MIN. IN CONTACT AREA, (.00127)/.000050 MIN. NICKEL OVERALL.
 - 591 SELECT GOLD PLATE (.00127)/.000050 MIN. IN CONTACT AREA, OVER (.00127)/.000050 MIN. NICKEL OVERALL WITH (.00025)/.000010 MAX. GOLD FLASH OVERALL.
 - 550 SELECT GOLD PLATE (.00038)/.000015 MIN. IN CONTACT AREA, OVER (.00076)/.000030 MIN. NICKLE OVERALL WITH (.00025)/.000010 MAX. GOLD FLASH OVERALL.
- THE PRIMARY SHIPPING CARTON WILL BE LABELED, *COMPLIANT TO RoHS DIRECTIVE 2002/95/EC AND ELV ANNEX II OF DIRECTIVE 2000/53/EC THIS LABEL MAY CONTAIN PRODUCT WITH TIN-LEAD.
- PRODUCT SPECIFICATION: PS-02-0-6
- PACKAGE INFORMATION: NOT AVAILABLE
- TERMINAL FOR USE WITH (1.57)/.062 DIA. SERIES HOUSINGS AND WILL ACCEPT 24 THRU 30 AWG WIRE WITH (1.02/2.29)/.040/.090 INSULATION DIAMETER.



AP	REVISE Sn/Pb PLATE REDRAWN TO ME10 UCR2004-2097 5/07/04 RHOLTS
AN	OBSOLETE P/N UCR2002-0270 COMERCI 01/9/28
AM1	OBSOLETE -P575J & -P575L ECR UG 0558 GCS/15/95 RW
AM	REV. AND REDRAWN PER ECR 10372 GEP 6-17-87 RW

REV. MATL. SPEC/STAT TO ME10 EC NO: UICP2004-2097 DRWR:RHOLTS 2004/05/14 CHKD: 2004/05/14 APPR:FSMITH 2004/05/18	QUALITY SYMBOLS	GENERAL TOLERANCES (UNLESS SPECIFIED)	SCALE 8:1	DESIGN UNITS INCH	THIRD ANGLE PROJECTION	REVISE ON CAD ONLY
	▽ = 0 ▽ = 0	mm INCH	DIMENSION STYLE IN/MM		TITLE CRIMP TERMINAL, FEMALE (1.57)/.062 DIA., BRASS FOR 24 THRU 30 GA. WIRE	
		4 PLACES ± .005 ± .005	DRAWN BY DATE GEP 1987/09/17			
		3 PLACES ± .005 ± .01	CHECKED BY DATE RW 1987/09/17			
	2 PLACES ± 0.25 ± .014	APPROVED BY DATE RAS 1987/09/17		MATERIAL NO. SEE CHART	DOCUMENT NO. SD-1855-*	SHEET NO. 1 OF 1
	1 PLACE ± 0.35 ± .005	DRAFT WHERE APPLICABLE MUST REMAIN WITHIN DIMENSIONS		THIS DRAWING CONTAINS INFORMATION THAT IS PROPRIETARY TO MOLEX INCORPORATED AND SHOULD NOT BE USED WITHOUT WRITTEN PERMISSION		