

NOTES:

I- ONLY THE ITEMS WITH QUANTITIES SPECIFIED ON PARTS LIST ARE USED ON THIS APPLICATOR.

△ USED IN PLACE OF ITEM 38 WHEN INSULATION CRIMP IS NOT USED.

△ GUARD MUST BE IN PLACE WHEN OPERATING APPLICATOR IN AMP-O-LECTRIC PRESS.

△ PARTS WITH QTY OF REF. SPECIFIED (EXCEPT ITEM 79) ARE USED ON ITEM 46.

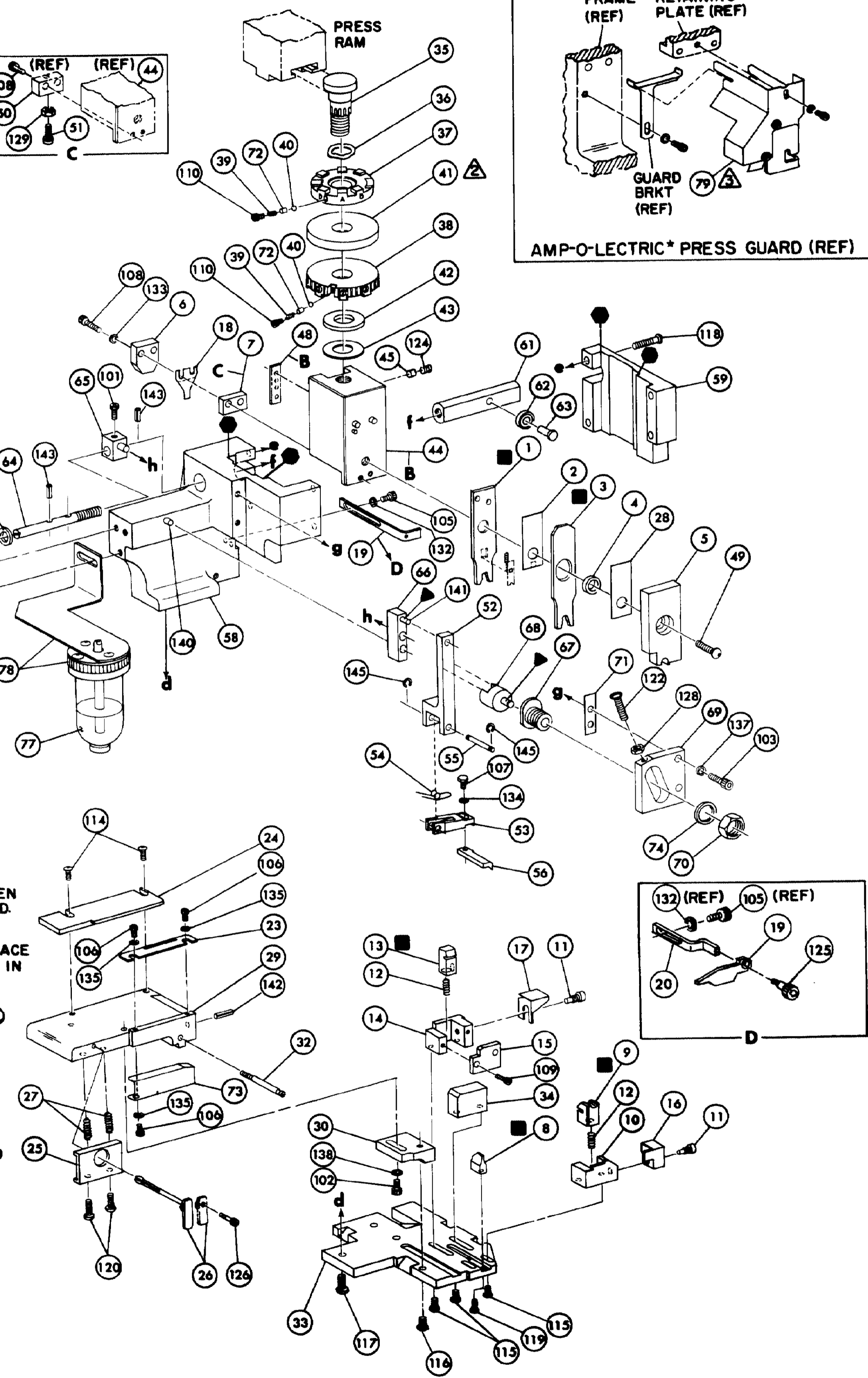
△ CUT TO LENGTH AT ASSY.

KEY:

■ RECOMMENDED SPARE PARTS CUSTOMER RESPONSIBLE FOR REPLACEMENT.

▲ LUBRICATE DAILY USING NO. 20 MACHINE OIL.

● GREASE LIGHTLY



REF.	QTY	PART NO	DESCRIPTION	ITEM NO
REF.		21045-3	RING, RETAINING 'C' (.187 DIA) FEED FINGER PIN	145
REF.		5-21028-1	PIN, SLOT SPR (.125 DIA X .50) ADJ ROD	143
REF.		4-21028-0	PIN, SLOT SPR (.093 DIA X .75) STR G PLATE	142
REF.		1-21030-1	PIN, DOWEL (.187 DIA X .50) LEVER	141
REF.		1-21030-6	PIN, DOWEL (.187 DIA X 1.25) HOUSING	140
REF.		21024-5	WASHER, LOCK (NO 10) LUB ASSY	139
REF.		21024-5	WASHER, LOCK (NO 10) STRIP GUIDE ADJ BLOCK	138
REF.		21024-5	WASHER, LOCK (NO 10) ADJ PLATE	137
REF.		21024-5	WASHER, LOCK (NO 10) FEED GUIDE ROD	136
REF.		21057-2	WASHER, LOCK (NO 4) FRONT STRIP GUIDE	135
REF.		21024-4	WASHER, LOCK (NO 8) FEED FINGER	134
REF.		21024-4	WASHER, LOCK (NO 8) DEPRESSOR	133
REF.		21024-4	WASHER, LOCK (NO 8) STRIPPER	132
REF.		21899-4	WASHER, FLAT (5/16 DIA) SCREW ADJ	131
REF.		21899-2	WASHER, FLAT (NO 10) LUB ASSY	130
REF.		21068-5	NUT, HEX MACH (6-32) HOLDDOWN	129
REF.		21068-5	NUT, HEX MACH (6-32) FEED ADJ	128
REF.		22353-8	SCR, SHLD. (.187 DIA X .250 LG) DRAG LEVER	126
REF.		456567-1	SCR, SHLD. (.188 DIA X .125 LG) STRIPPER	125
REF.		21002-2	SCR, SKT SET (1/4-20 X .25) (LOC-WEL) RAM	124
REF.		3-21064-2	SCR, RD HD MACH (6-32 X 1.50) FEED ADJ	123
REF.		2-21002-9	SCR, BUT HD SKT CAP (10-32 X .75) DRAG	122
REF.		2-21002-9	SCR, BUT HD SKT CAP (8-32 X .38) (LOC-WEL) ANVIL	121
REF.		2-21002-9	SCR, BUT HD SKT CAP (10-32 X .75) CAP	120
REF.		1-24073-9	SCR, BUT HD SKT CAP (1/4-20 X .75) HOUSING	119
REF.		2-21002-7	SCR, BUT HD SKT CAP (10-32 X .50) SG ADJ BLOCK	118
REF.		2-21002-2	SCR, BUT HD SKT CAP (8-32 X .50) SHEAR	117
REF.		2-21002-2	SCR, BUT HD SKT CAP (8-32 X .50) R STRIP GUIDE	116
REF.		2-21003-0	SCR, FLAT HD SKT CAP (6-32 X .50) CAM	115
REF.		3-21000-4	SCR, SKT HD CAP (10-32 X .38) LUBRICATOR ASSY	114
REF.		23030-1	SCR, SKT HD CAP (6-32 X .25) (LOC-WEL) CP DISC	113
REF.		2-21000-7	SCR, SKT HD CAP (6-32 X .50) REAR SHEAR PLATE	112
REF.		2-21000-7	SCR, SKT HD CAP (8-32 X .50) DEPRESSOR	111
REF.		2-22603-0	SCR, HEX HD MACH (8-32 X .31) FEED FINGER	110
REF.		1-21000-3	SCR, SKT HD CAP (4-40 X .25) F STRIP GUIDE	109
REF.		2-21000-7	SCR, SKT HD CAP (8-32 X .50) STRIPPER	108
REF.		3-21000-6	SCR, SKT HD CAP (10-32 X .75) FEED ROD GUIDE	107
REF.		3-21000-6	SCR, SKT HD CAP (10-32 X .62) FEED ADJ BLOCK	106
REF.		3-21000-4	SCR, SKT HD CAP (10-32 X .38) SG ADJ BLOCK	105
REF.		3-21000-4	SCR, SKT HD CAP (10-32 X .38) PIVOT BLOCK	104
REF.		455749-1	GUARD, WINDOW	103
REF.		1-485184-0	LUBRICATOR ASSY	102
REF.		852931-2	OIL, LUBRICATING	101
REF.		458109-1	WASHER, SPECIAL	100
REF.		454877-3	PLATE, STRIP GUIDE COVER	99
REF.		690603-1	SPRING, ASSIST	98
REF.		690517-1	SPACER	97
REF.		22594-8	NUT, HEX	96
REF.		240628-1	PLATE, ADJUSTMENT	95
REF.		240626-1	SHAFT, PIVOT	94
REF.		240633-1	BUSHING	93
REF.		455680-1	LEVER, INTERMEDIATE	92
REF.		240629-1	BLOCK, PIVOT	91
REF.		240632-2	SCREW, ADJUSTMENT FEED ROD	90
REF.		240659-3	PIN, CAM ROLLER	89
REF.		240658-1	ROLLER, CAM	88
REF.		454398-2	ROD, FEED	87
REF.		454178-1	GUIDE, FEED ROD	86
REF.		454220-1	CAP, HOUSING	85
REF.		454485-1	HOUSING	84
REF.		690542-2	PAWL, FEED	83
REF.		240624-1	PIN, FEED FINGER	82
REF.		691499-1	SPRING, FEED FINGER	81
REF.		690541-1	FINGER, FEED	80
REF.		455679-1	LEVER, TERMINAL FEED ARM	79
REF.		811242-2	BUMPER, HOLDDOWN	78
REF.		690753-1	SPACER, TONKER	77
REF.		7-21002-9	BOLT, CRIMPER	76
REF.		690602-5	CAM PRE FEED 1/8 STROKE	75
REF.		459456-1	APPLICATOR, BASIC (SUB ASSY)	74
REF.		690191-1	PLUG, NYLON	73
REF.		455673-1	RAM	72
REF.		690125-1	WASHER, LAMINATED	71
REF.		690124-1	WASHER, RAM	70
REF.		23241-6	DISC, SPACER	69
REF.		690170-1	BALL, STEEL	68
REF.		690142-1	SPRING, COMPRESSION	67
REF.		690141-5	DISC, INSULATION	66
REF.		22480-5	DISC, WIRE	65
REF.		690212-1	WASHER, SPRING	64
REF.		690212-1	POST, RAM	63
REF.		690786-3	SUPPORT, TERMINAL	62
REF.		455675-1	PLATE, BASE	61
REF.		690432-3	SCREW, ADJUSTMENT	60
REF.		455689-1	BLOCK, STRIP GUIDE ADJ	59
REF.		1-458144-2	PLATE, STRIP GUIDE	58
REF.		1-455888-0	SPACER, FRONT SHEAR DEPRESSOR	57
REF.		1-22284-0	SPRING, DRAG	56
REF.		240793-1	LEVER, DRAG RELEASE	55
REF.		240792-1	DRAG, STOCK	54
REF.		7-690504-2	GUIDE STRIP (REAR)	53
REF.		690438-1	GUIDE, STRIP (FRONT)	52
REF.		4-22284-9	SPRING, FEED RETURN	51
REF.		458950-1	ARM, STRIPPER	50
REF.		458949-1	STRIPPER	49
REF.		5-22280-0	HOLDER, TERMINAL	48
REF.		690461-1	GUARD, CHIP (REAR)	47
REF.		690459-1	GUARD, CHIP (FRONT)	46
REF.		454276-1	PLATE, SHEAR (REAR)	45
REF.		8-690512-0	HOLDER, SHEAR (REAR)	44
REF.		5-22280-0	SHEAR, FLOAT (REAR)	43
REF.		690461-1	SPRING, SHEAR	42
REF.		690459-1	STOP, SHEAR	41
REF.		454276-1	HOLDER, SHEAR (FRONT)	40
REF.		8-690512-0	SHEAR, FLOAT (FRONT)	39
REF.		455889-9	ANVIL	38
REF.		1-238011-0	SPACER, DEPRESSOR (REAR)	37
REF.		7-456134-7	DEPRESSOR, SHEAR (REAR)	36
REF.		455888-7	DEPRESSOR, SHEAR (FRONT)	35
REF.		456404-1	SPACER, TUBULAR, INS CRIMPER	34
REF.		456404-1	CRIMPER, INSULATION	33
REF.		456404-1	SPACER, CRIMPER	32
REF.		456404-1	CRIMPER, WIRE	31

REMARKS	NO	REV
APPL USED ON MACHINE PART NO	MACH SERIAL NO	DISTRIBUTION
CUSTOMER NAME	APPL SERIAL NO	ORIGINAL
ADDRESS	PURCHASE ORDER	CUSTOMER COPY
CITY	ENG APP	FIELD ENG COPY

CRIMPING DATA				APPLICATOR WILL APPLY	
PAD LTR	CRIMP HEIGHT	WIRE SIZE	WIRE LENGTH	ITEM NO	
A	.055	18		62622	
B	.050	20			
C	.047	22			
D	NOT USED				
CRIMP	SIZE	TYPE	FEED	APPL INST	
WIRE	18	F	.500	A1 8040	
INSUL	18	F			
WIRE RANGE	22-18	INSULATION RANGE	1.074-1.30	PRESS NO	565435-5
REMARKS	AMP-O-LECTRIC PRE-FEED				
I.D. PLATE (REF): 461264-1					

THIS INFORMATION IS CONFIDENTIAL AND IS DISCLOSED TO YOU ON THE CONDITION THAT YOU WILL NOT DISCLOSE IT TO ANY OTHER PERSON OR ENTITY WITHOUT THE WRITTEN AUTHORIZATION FROM AMP INCORPORATED.



SET UP GAGE 10-1
4-28637-1 943
DR 4-177 APP 417
KCS 2.0 (1.4) 11-83
REL. 11-83
NAME MINIATURE QUICK CHANGE APPLICATOR
SIDE FEED (LAMP CONTACT)