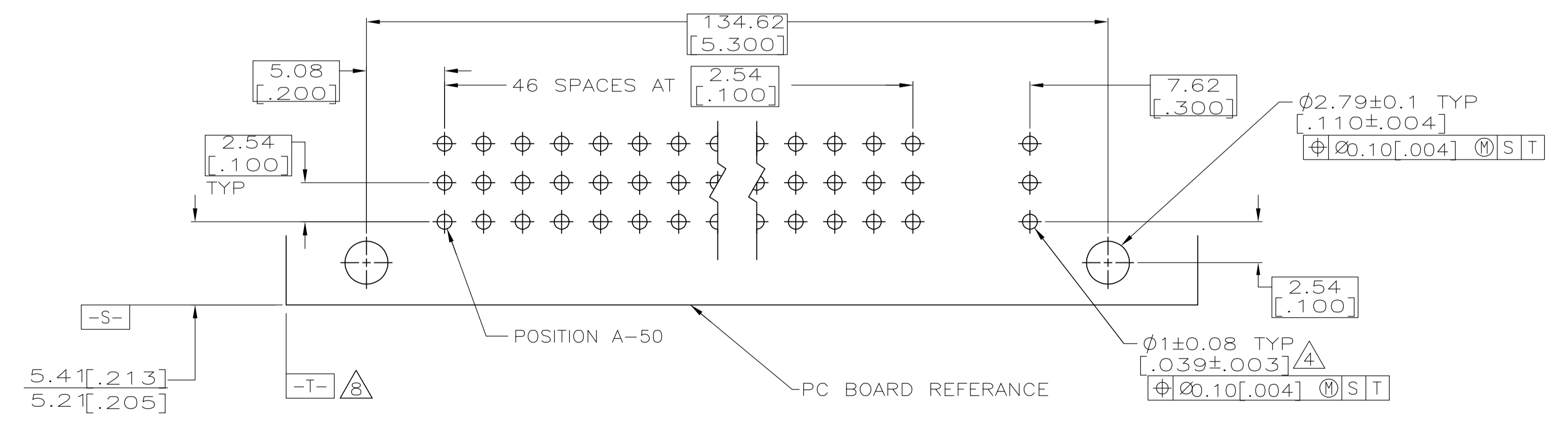
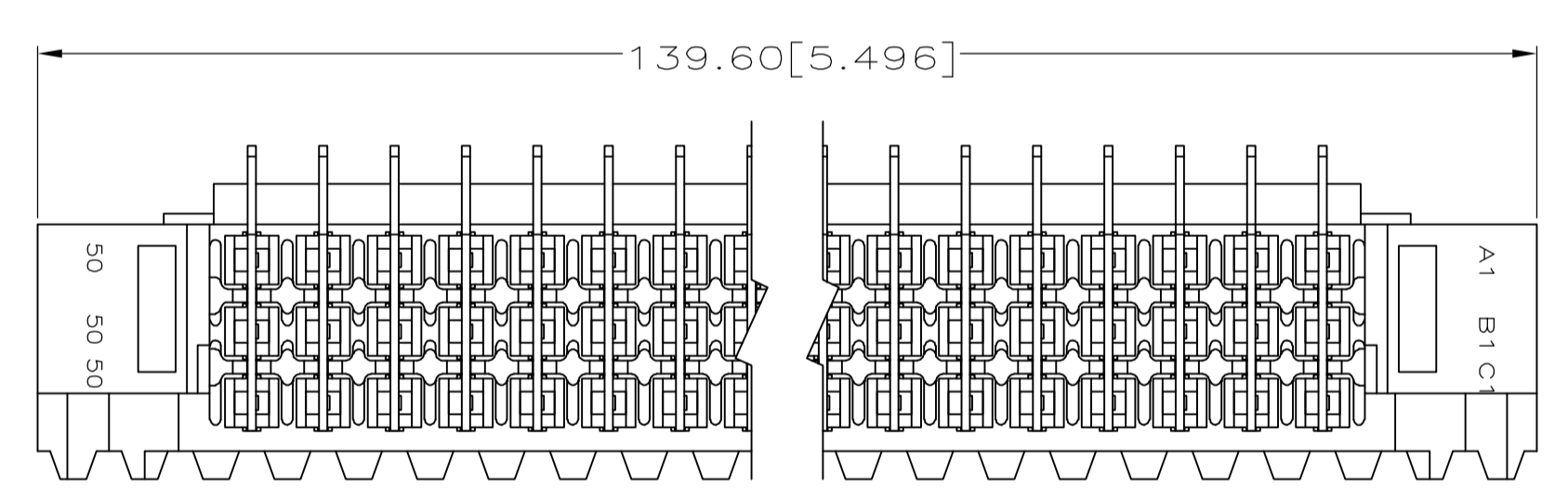
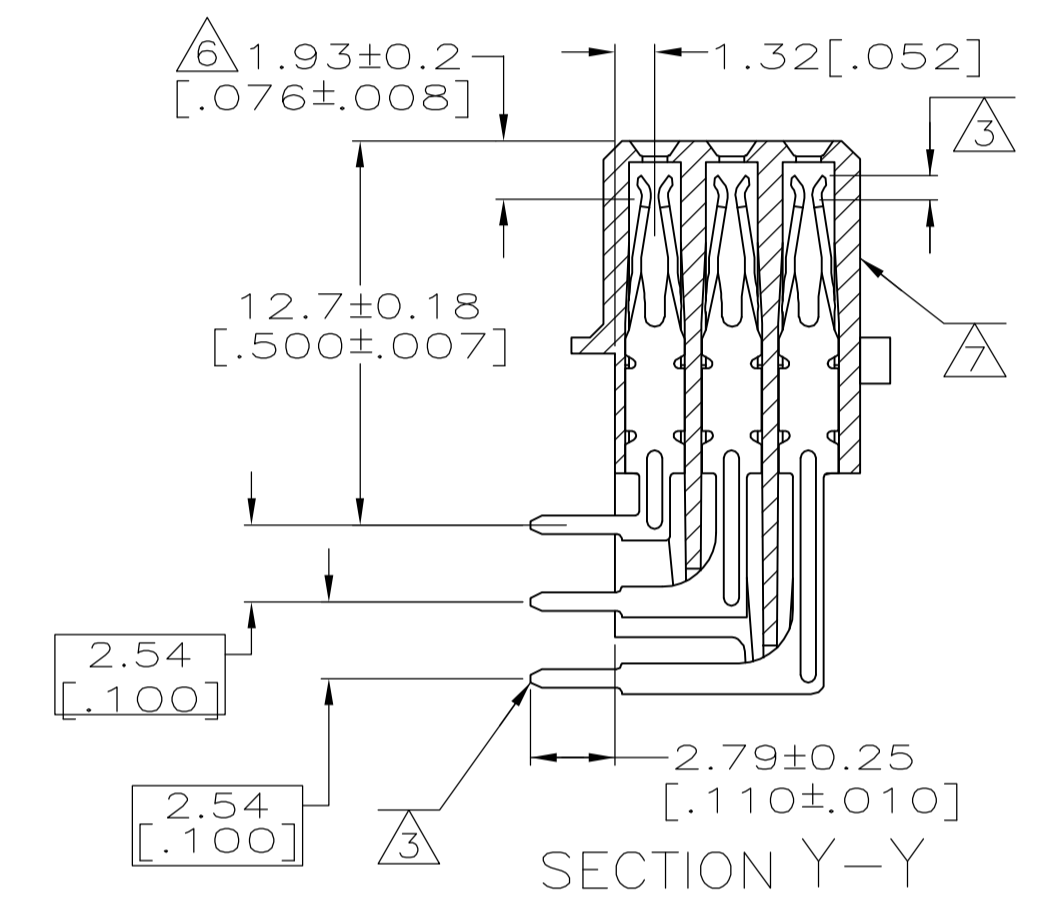
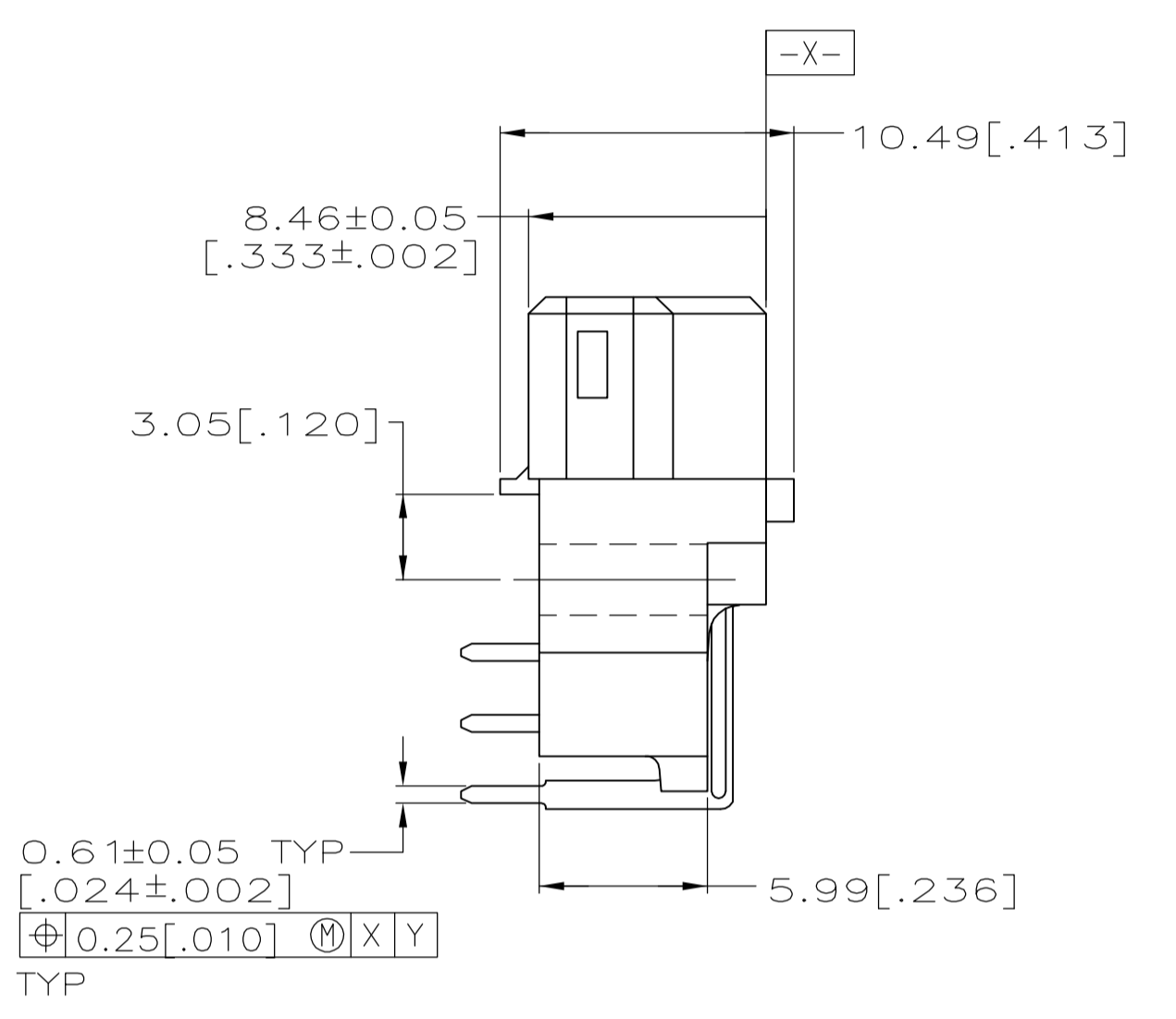
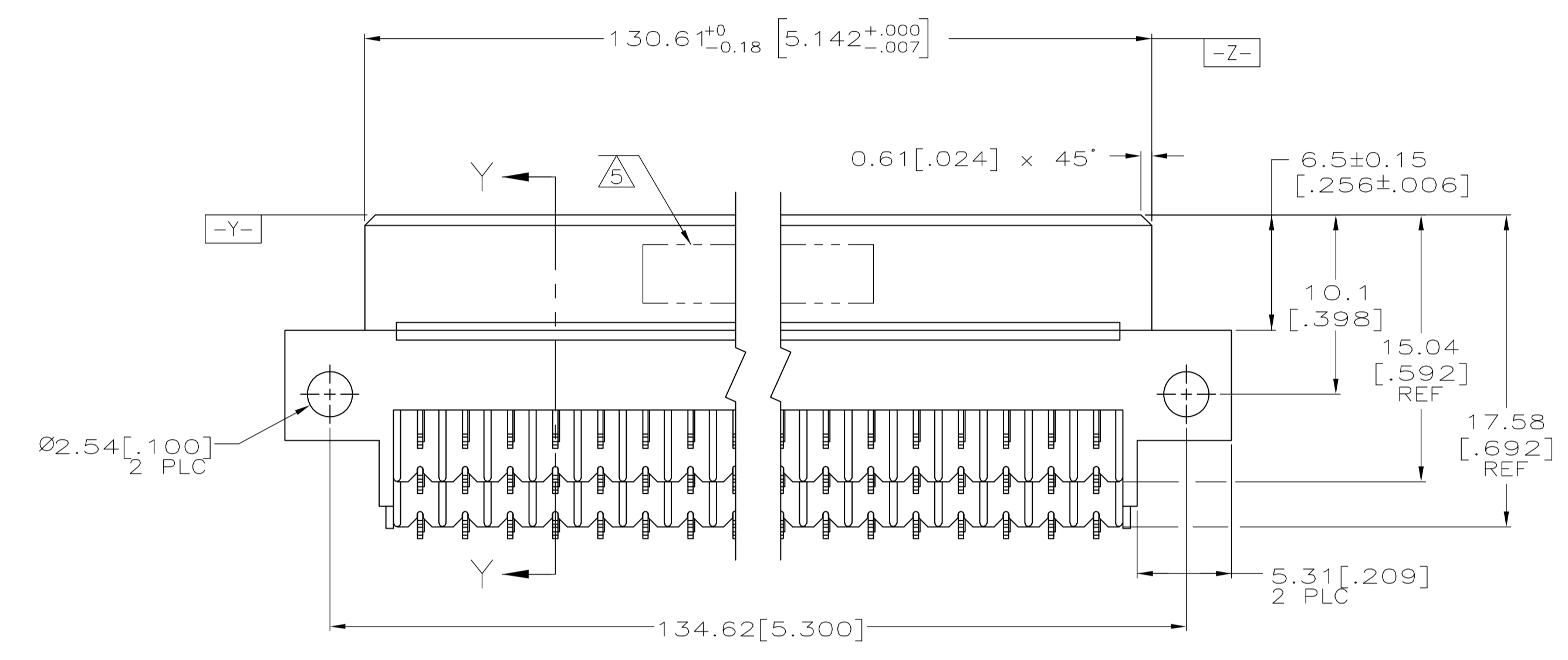


- 1 HOUSING MATERIAL: GLASS-FILLED POLYMER.
- 2 CONTACT MATERIAL: COPPER ALLOY.
- 3 CONTACT FINISH: DIN 41612 CLASS 2 IN CONTACT AREA. TIN PLATE ON POSTS.
- 4 RECOMMENDED HOLE SIZE FOR MANUAL APPLICATION OF CONNECTOR ONTO PC BOARD.
- 5 PART NUMBER, DATE CODE IDENTIFICATION, CSA LOGO THIS APPROXIMATE AREA.
- 6 CONTACT POINT.
- 7 MARKING ON THIS SIDE.
- 8 DATUM ESTABLISHED BY CUSTOMER.



1-47, 50	C	48	5148514-2
1-47, 50	B	48	
1-47, 50	A	48	
1,4-50	C	48	5148514-1
1,4-50	B	48	
1,4-50	A	48	
POSITIONS LOADED	ROWS	NO. OF LOADED POSITIONS	PART NUMBER

THIS DRAWING IS A CONTROLLED DOCUMENT.

DIMENSIONS: mm [INCHES]	TOLERANCES UNLESS OTHERWISE SPECIFIED:	DW: J. POLIGNONE	03JUN05		Tyco Electronics Corporation Harrisburg, PA 17105-3608
0 PLC ± -	1 PLC ± -	APVD: A. SHARPE	03JUN05		NAME: ASSEMBLY, RECEPTACLE, EUROCARD, TYPE R
2 PLC ± -	3 PLC ± 0.13[.005]	PRODUCT SPEC: -	APPLICATION SPEC: -	SIZE: A1	CAGE CODE: 00779
4 PLC ± -	ANGLES ± -	WEIGHT: -	DRAWING NO: 5148514	RESTRICTED TO: -	SCALE: 4:1
MATERIAL: 1, 2	FINISH: 3	CUSTOMER DRAWING	SCALE: 4:1	SHEET: 1 OF 1	REV: 0