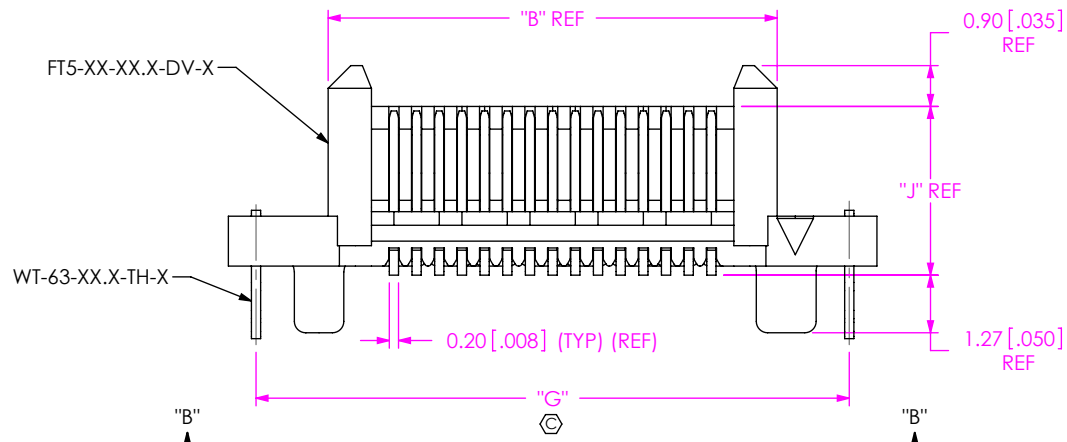
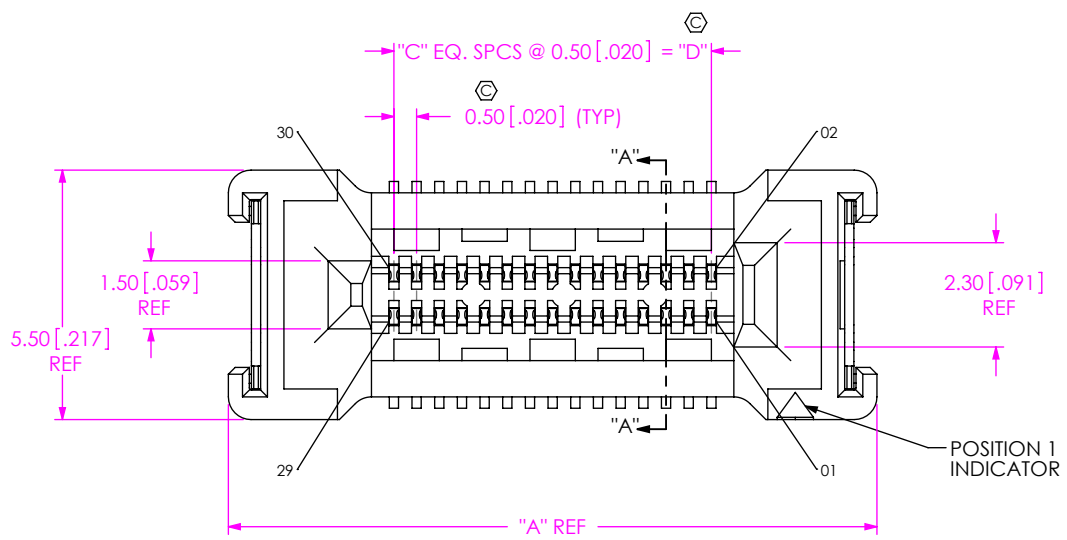


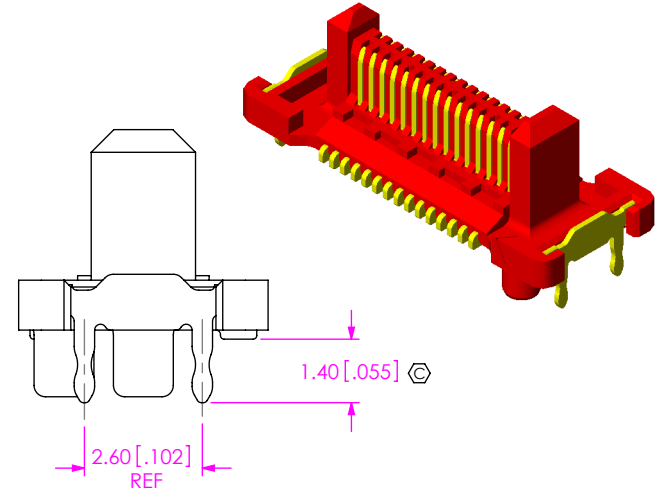
DO NOT SCALE FROM THIS PRINT

DESIGNED & DIMENSIONED IN MILLIMETERS [INCHES]

FT5-XX-XX.X-X-DV-XX-X-TR



- No. OF POSITIONS**  
-15, -30 (PER ROW)
  - LEAD STYLE**  
\*\*-01.0: 1MM  
\*\*-03.0: 3MM  
\*-06.0: 6MM  
\*-08.0: 8MM  
\*-10.0: 10MM
  - PLATING SPECIFICATION**  
-L: LIGHT GOLD ON CONTACT AREA, MATTE TIN ON TAIL (USE T-1M84-XX.X-L)
  - ROW SPECIFICATION**  
-DV: DOUBLE VERTICAL
  - PACKAGING**  
-TR: TAPE & REEL (SEE NOTES 3, 4 & 5)
  - OPTION**  
-P: PICK AND PLACE PAD (USE PPP-71) (SEE FIG. 4, SHT 3)
  - WELD TAB**  
-TH: THRU HOLE (USE WT-63-XX.X-TH-X)  
\*-SM: SURFACE MOUNT (USE WT-63-XX.X-SM-X)
- (\* = NOT TOOLED)  
\*\* = -P OPTION MANDATORY.  
NOT MANDATORY FOR EXISTING CUSTOMERS ONLY



- NOTES:
- ⊙ REPRESENTS A CRITICAL DIMENSION.
  - PUSH OUT FORCE 1.80N [.40LBS].
  - TAPE & REEL WILL BE SUPPLIED WHETHER OR NOT -TR IS SPECIFIED.
  - FOR QUANTITIES UP TO 49 PCS., NO LEADER, TRAILER OR EIA-481 REEL WILL BE SUPPLIED.
  - FOR QUANTITIES OF 50 TO 124 PCS., NO LEADER, TRAILER OR EIA-481 REEL WILL BE SUPPLIED.

FIG 1 FT5-15-01.0-X-DV-TH-X-TR SHOWN

TABLE 1					
STACK HEIGHT					
FS5 LEAD STYLE	FT5 LEAD STYLE				
	-01.0	-03.0	*-06.0	*-08.0	*-10.0
-04.0	5.0 [0.20]	7.0 [0.28]	10.0 [0.39]	12.0 [0.47]	14.0 [0.55]

(\* = NOT TOOLED)


TABLE 2				
LEAD STYLE	BODY PART NUMBER	TERMINAL PART NUMBER	WT PART NUMBER	SPACER BODY PART NUMBER
-01.0	FT5-XX-01.0-X-DV-X	T-1M84-01.0-X	WT-63-01.0-XX-X	N/A
-03.0	FT5-XX-03.0-X-DV-X	T-1M84-03.0-X	WT-63-03.0-XX-X	N/A
*-06.0	FT5-XX-03.0-X-DV-X	T-1M84-06.0-X	WT-63-06.0-XX-X	TFHH-XX-03.0-X
*-08.0	FT5-XX-03.0-X-DV-X	T-1M84-08.0-X	WT-63-08.0-XX-X	TFHH-XX-05.0-X
*-10.0	FT5-XX-03.0-X-DV-X	T-1M84-10.0-X	WT-63-10.0-XX-X	TFHH-XX-07.0-X

(\* = NOT TOOLED)

UNLESS OTHERWISE SPECIFIED, DIMENSIONS ARE IN MILLIMETERS [INCHES].  
TOLERANCES ARE:  
DECIMALS ANGLES  
X.X: ±0.3 [.01] 2°  
X.XX: ±0.13 [.005]  
X.XXX: ±0.051 [.0020]

**MATERIAL:** DO NOT SCALE DRAWING  
INSULATOR: LCP, COLOR: BLACK  
CONTACT: PHOS BRONZE  
WT: PHOS BRONZE

**PROPRIETARY NOTE**  
THIS DOCUMENT CONTAINS INFORMATION CONFIDENTIAL AND PROPRIETARY TO SAMTEC, INC. AND SHALL NOT BE REPRODUCED OR TRANSFERRED TO OTHER DOCUMENTS OR DISCLOSED TO OTHERS OR USED FOR ANY PURPOSE OTHER THAN THAT WHICH IT WAS OBTAINED WITHOUT THE EXPRESSED WRITTEN CONSENT OF SAMTEC, INC.

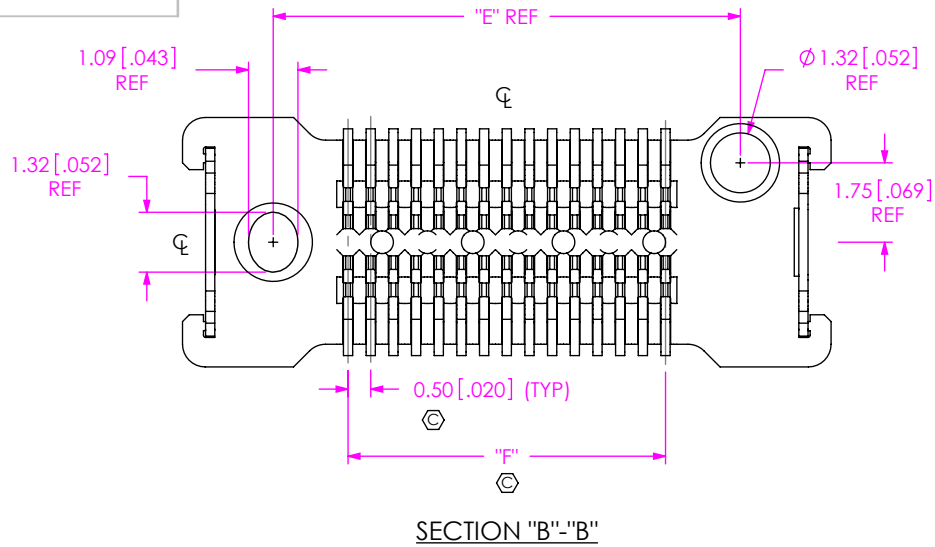


520 PARK EAST BLVD, NEW ALBANY, IN 47150  
PHONE: 812-944-6733 FAX: 812-948-5047  
e-Mail: info@SAMTEC.com code: 55322

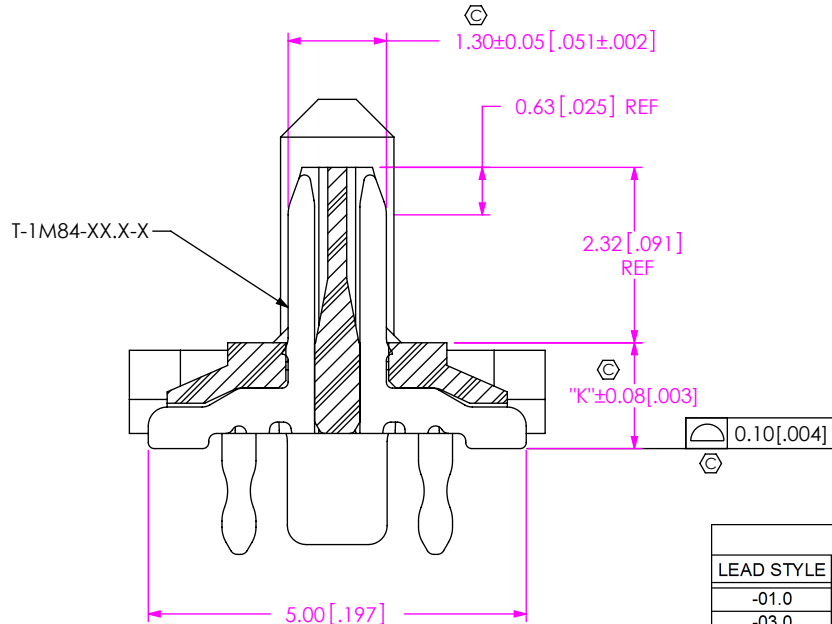
DESCRIPTION:  
FT5 TERMINAL ASSEMBLY

DWG. NO.  
FT5-XX-XX.X-X-DV-XX-X-TR

BY: R MUSSER 08/04/2009 SHEET 1 OF 3



SECTION "B"-"B"



SECTION "A"-"A"  
SCALE 10:1

TABLE 4

LEAD STYLE	"J"	"K"
-01.0	3.72 [0.146]	1.40 [0.055]
-03.0	5.72 [0.225]	3.40 [0.134]
*-06.0	8.72 [0.343]	6.40 [0.252]
*-08.0	10.72 [0.422]	8.40 [0.331]
*-10.0	12.72 [0.501]	10.40 [0.409]

(\* = NOT TOOLED)

TABLE 5

No. OF POS	"A"	"B"	"C"	"D"	"E"	"F"	"G"	"H"
-15	14.30 [0.563]	9.90 [0.390]	14	7.000 [0.2756]	10.30 [0.406]	7.000 [0.2756]	13.08 [0.515]	15.60 [0.614]
-30	21.80 [0.858]	17.40 [0.685]	29	14.500 [0.5709]	17.80 [0.701]	14.500 [0.5709]	20.58 [0.810]	23.10 [0.909]

TABLE 3

TAIL	LEAD STYLE				
	-01.0	-03.0	*-06.0	*-08.0	*-10.0
-TH	WT-63-01.0-TH-X	WT-63-03.0-TH-X	WT-63-06.0-TH-X	WT-63-08.0-TH-X	WT-63-10.0-TH-X
*-SM	WT-63-01.0-SM-X	WT-63-03.0-SM-X	WT-63-06.0-SM-X	WT-63-08.0-SM-X	WT-63-10.0-SM-X

(\* = NOT TOOLED)

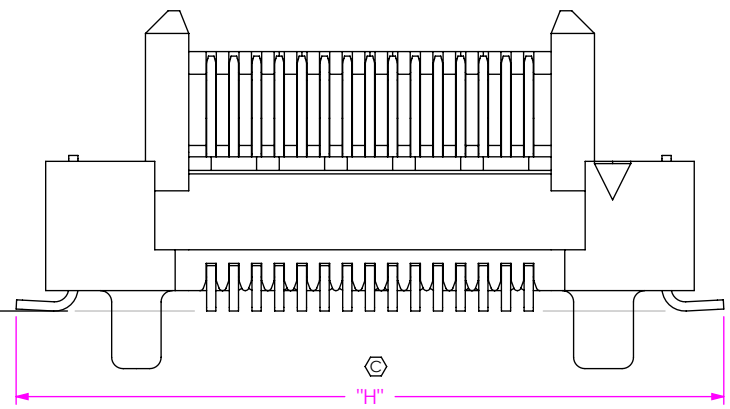
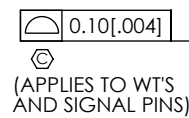
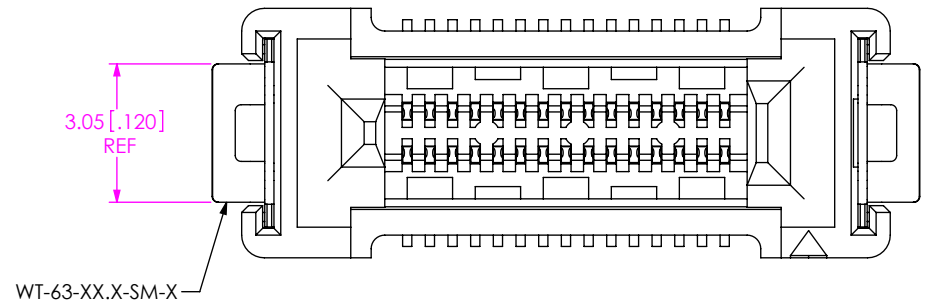


FIG 2  
-SM WELD TAB  
(FT5-15-03.0-X-DV-SM-X-TR SHOWN)  
(SAME AS FIG 1, EXCEPT AS SHOWN)  
(NOT TOOLED)

PROPRIETARY NOTE  
THIS DOCUMENT CONTAINS INFORMATION  
CONFIDENTIAL AND PROPRIETARY TO  
SAMTEC, INC. AND SHALL NOT BE REPRODUCED  
OR TRANSFERRED TO OTHER DOCUMENTS OR  
DISCLOSED TO OTHERS OR USED FOR ANY  
PURPOSE OTHER THAN THAT WHICH IT WAS  
OBTAINED WITHOUT THE EXPRESSED WRITTEN  
CONSENT OF SAMTEC, INC.



520 PARK EAST BLVD, NEW ALBANY, IN 47150  
PHONE: 812-944-6733 FAX: 812-948-5047  
e-Mail: info@SAMTEC.com code: 55322

DO NOT SCALE DRAWING

SHEET SCALE: 6:1

DESCRIPTION: FT5 TERMINAL ASSEMBLY  
DWG. NO. FT5-XX-XX.X-X-DV-XX-X-TR  
BY: R MUSSER 08/04/2009 SHEET 2 OF 3

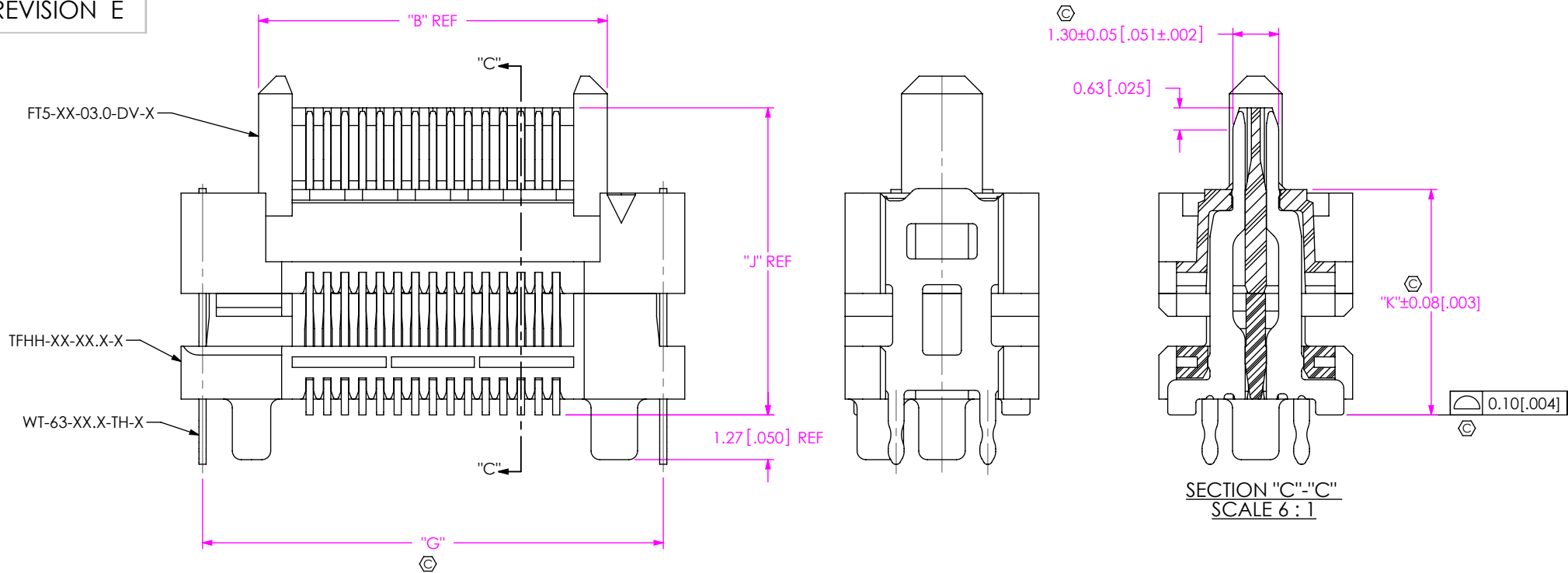


FIG 3  
 -06.0 THRU -10.0 LEAD STYLES  
 (FT5-15-06.0-X-DV-TH-X-TR SHOWN)  
 (SAME AS FIG 1, EXCEPT AS SHOWN)  
 (NOT TOOLED)

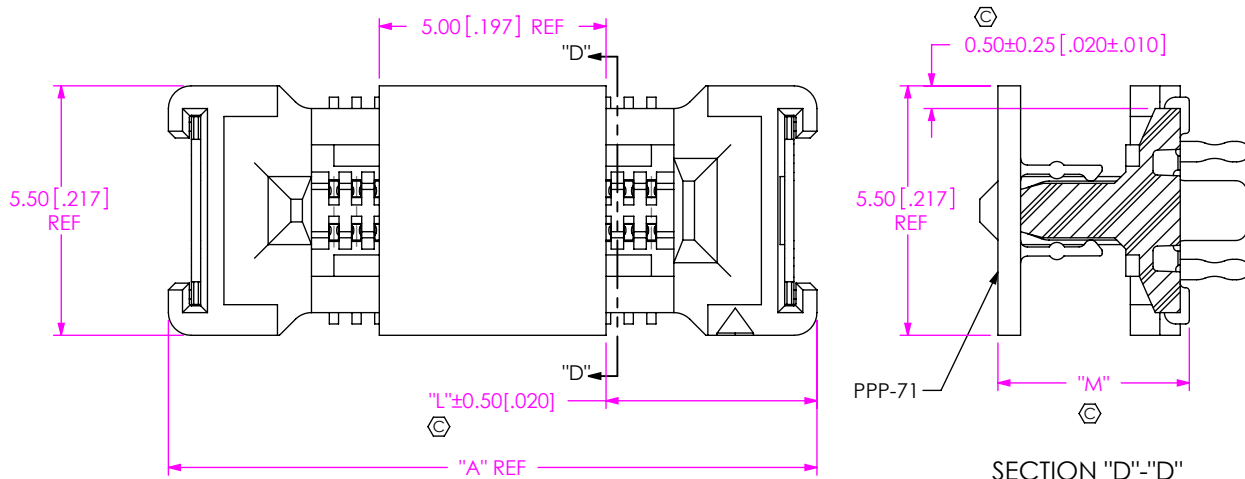


FIG 4  
 -P: PICK AND PLACE PAD  
 (FT5-15-01.0-X-DV-TH-P-TR SHOWN)

**TABLE 6**

No. OF POS	"L"
-15	4.65 [0.183]
-30	8.40 [0.331]

**TABLE 7**

LEAD STYLE	"M"
-01.0	4.22 [0.166]
-03.0	6.22 [0.245]
*-06.0	9.22 [0.363]
*-08.0	11.22 [0.442]
*-10.0	13.22 [0.520]

(\* = NOT TOOLED)

**PROPRIETARY NOTE**  
 THIS DOCUMENT CONTAINS INFORMATION  
 CONFIDENTIAL AND PROPRIETARY TO  
 SAMTEC, INC. AND SHALL NOT BE REPRODUCED  
 OR TRANSFERRED TO OTHER DOCUMENTS OR  
 DISCLOSED TO OTHERS OR USED FOR ANY  
 PURPOSE OTHER THAN THAT WHICH IT WAS  
 OBTAINED WITHOUT THE EXPRESSED WRITTEN  
 CONSENT OF SAMTEC, INC.

DO NOT SCALE DRAWING

SHEET SCALE: 6:1



520 PARK EAST BLVD, NEW ALBANY, IN 47150  
 PHONE: 812-944-6733 FAX: 812-948-5047  
 e-Mail: info@SAMTEC.com code: 55322

DESCRIPTION:  
 FT5 TERMINAL ASSEMBLY

DWG. NO.  
 FT5-XX-XX.X-X-DV-XX-X-TR

BY: R MUSSER 08/04/2009 SHEET 3 OF 3