

ELV. RoHS COMPLIANT

RECOMMENDED PCB BOARD

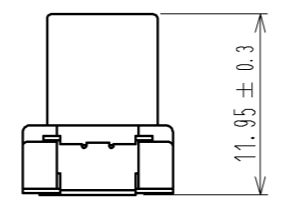
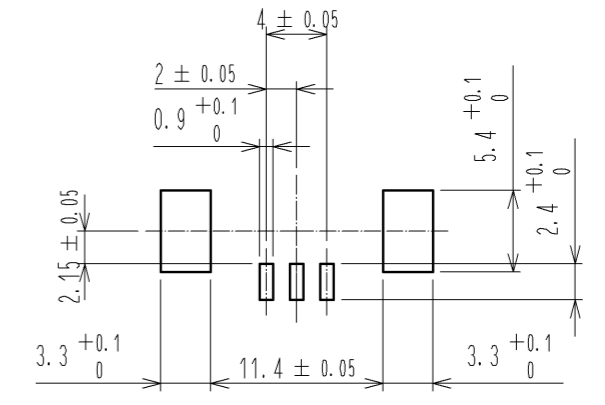
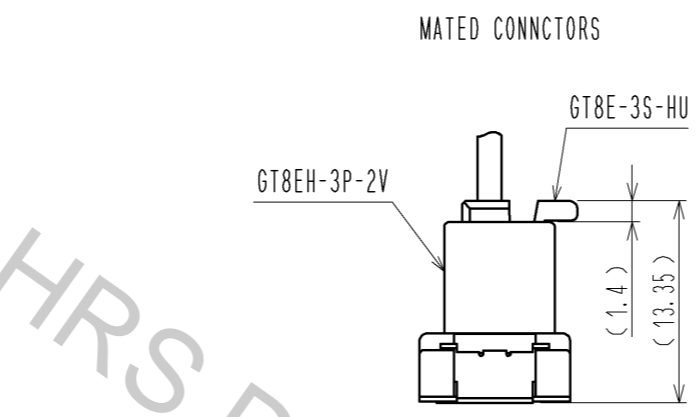
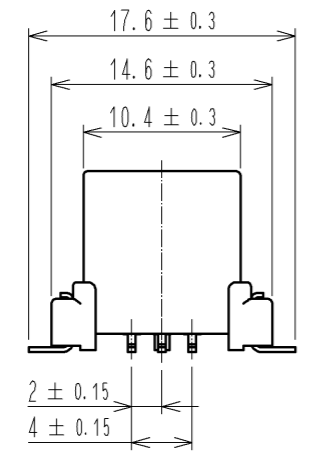
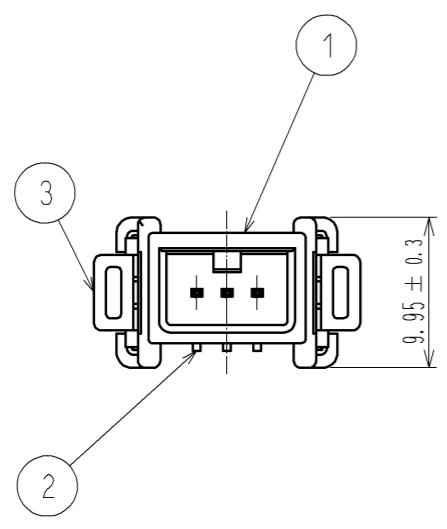
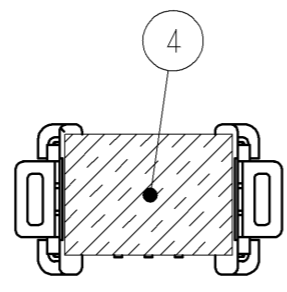


Fig. ADDED A PICK & PLACE TAPE



NOTE 1. RECOMMENDED TEMPERATURE PROFILE FOR REFLOW (REFER RIGHT FIG.).

REFLOW HEATING: FAR-INFLARED, IN THE AIR OR NITROGEN

REFLOW No. : MAX 2 TIMES

PEAK TEMPERATURE : 250°C

ABOVE 230°C : 20~40s

PREHEAT : 150~180°C (60~120s)

2. SOLDERING TEMPERATURE : 280~300°C (MAX 2s)

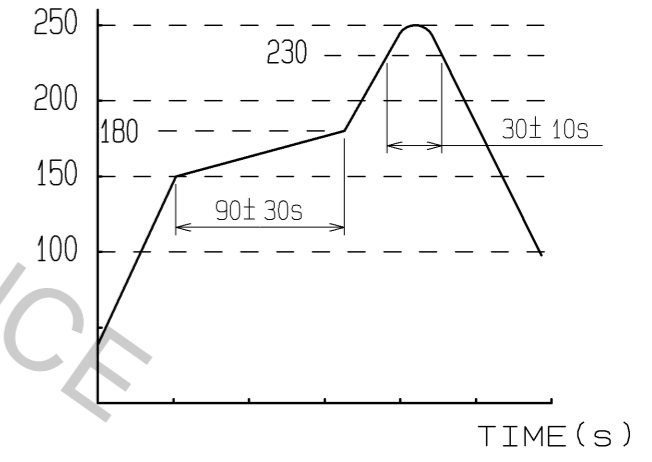
3. COPLANARITY OF LEADS SHALL BE UNDER 0.1mm.

4. RECOMMENDED THICKNESS FOR PCB BOARD IS 1.6mm.

5. RECOMMENDED THICKNESS FOR SOLDER PASTE IS 0.15mm.

6. DRAWING FOR PACKING.

TEMPERATURE (°C)

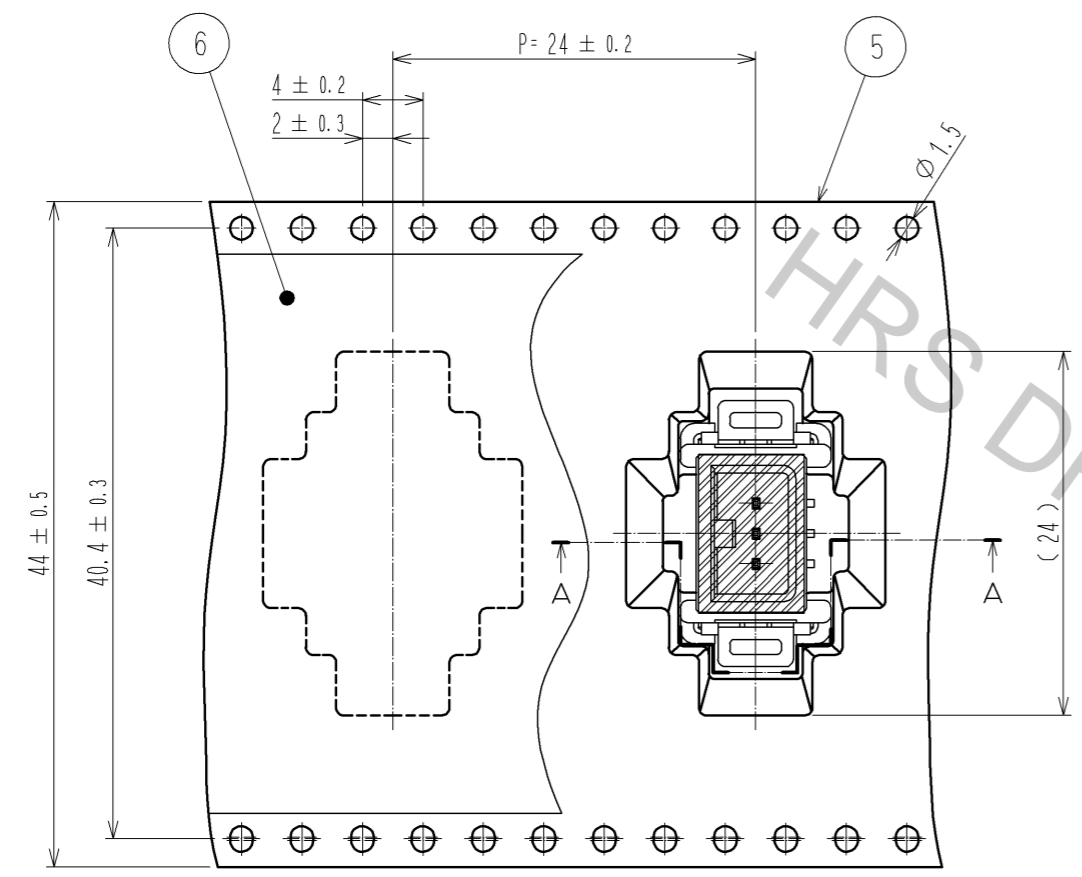


3	BRASS	TIN AND COPPER ARROY PLATING	6	PET	COVER TAPE
2	BRASS	TIN AND COPPER ARROY PLATING	5	PS	EMBOSSED CARRIER TAPE
1	PPS	BLACK	4	POLYIMIDE	PICK & PLACE TAPE
NO.	MATERIAL	FINISH . REMARKS	NO.	MATERIAL	FINISH . REMARKS
UNITS mm		SCALE 2 : 1	COUNT △	DESCRIPTION OF REVISIONS	
DESIGNED		CHECKED		DATE	
APPROVED : AR. SHIRAI			12.11.29		
CHECKED : NH. NAKATA			12.11.28		
DESIGNED : HH. TSUKUMO			12.11.27		
DRAWN : HH. TSUKUMO			12.11.27		
DRAWING NO.				EDC3-168890-00	
PART NO.				GT8EH-3P-2V	
CODE NO.				CL758-1016-0-00	
				△ 1/2	

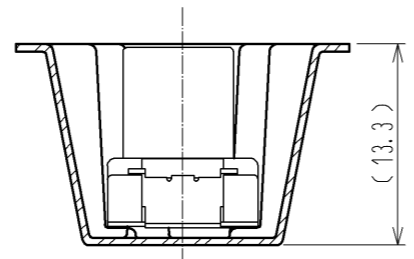
Apr.1.2017 Copyright 2017 HIROSE ELECTRIC CO., LTD. All Rights Reserved.

ELV, RoHS COMPLIANT

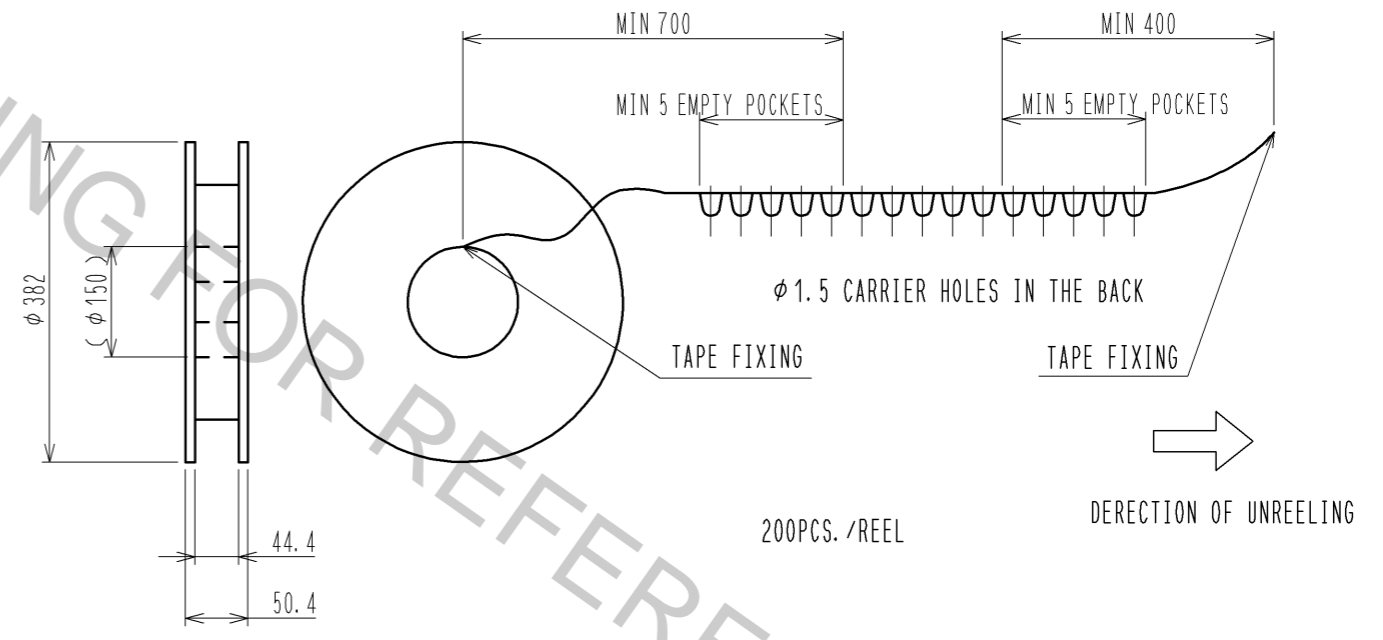
6 DRAWING FOR PACKING



DERECTION OF UNREELING

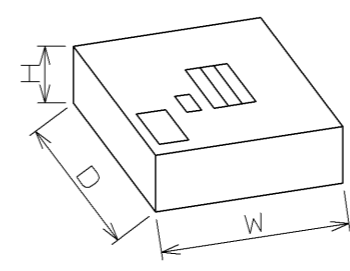


A-A



DERECTION OF UNREELING

SIZE OF A CARDBOARD



W=(405) (mm)  
D=(405) (mm)  
H=(51) (mm)

<b>HRS</b>	図番:	EDC3-168890-00	△ 2/2
	製品名:	GT8EH-3P-2V	
	製品コード:	CL758-1016-0-00	