


Housing - HC-B32-TFQ-80-O1STM(32-20-12)G - 1402203

Please be informed that the data shown in this PDF Document is generated from our Online Catalog. Please find the complete data in the user's documentation. Our General Terms of Use for Downloads are valid (<http://phoenixcontact.com/download>)

HEAVYCON sleeve housing B32, for double locking latch, height 80 mm, without support 1xM32, 1xM20, 1xM12, straight conductor exit



Key Commercial Data

Packing unit	10 STK
Minimum order quantity	50 STK
GTIN	 4 046356 587785
GTIN	4046356587785

Technical data

Ambient conditions

Degree of protection of housing (IP)	IP65
Ambient temperature (operation)	-40 °C ... 125 °C

General

Size	B32
Locking type	for double locking latch
Cable outlet	straight
Type of the screw connection	1x M32 / 1x M20 / 1x M12
Housing material	Aluminum die-cast
Housing surface material	Powder-coated, gray

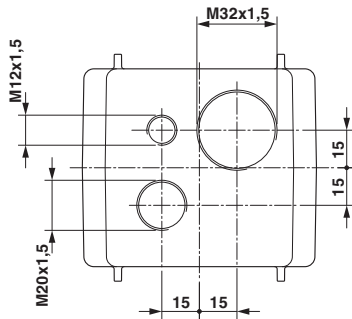
Environmental Product Compliance

China RoHS	Environmentally friendly use period: unlimited = EFUP-e
	No hazardous substances above threshold values

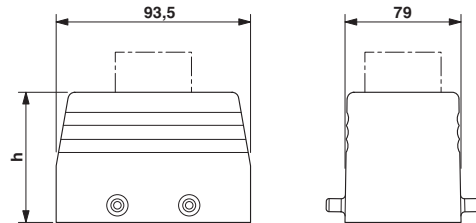
Drawings

Housing - HC-B32-TFQ-80-O1STM(32-20-12)G - 1402203

Dimensional drawing



Dimensional drawing



Position of the screw connections

Approvals

Approvals

Approvals

EAC

Ex Approvals

Approval details

EAC		RU C- DE.AI30.B.01102
-----	--	--------------------------

Phoenix Contact 2018 © - all rights reserved
<http://www.phoenixcontact.com>

PHOENIX CONTACT GmbH & Co. KG
Flachsmarktstr. 8
32825 Blomberg
Germany
Tel. +49 5235 300
Fax +49 5235 3 41200
<http://www.phoenixcontact.com>