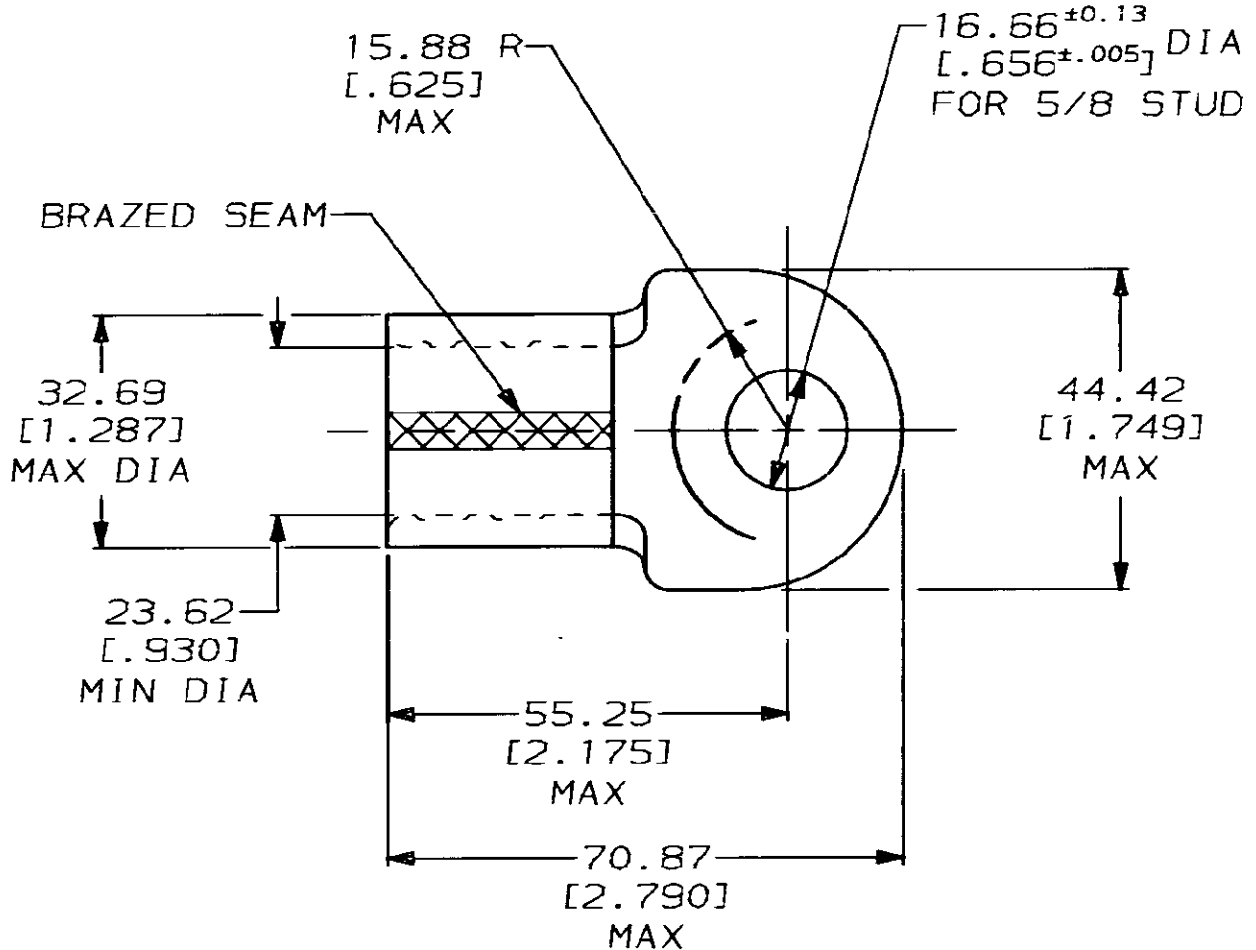


DRAWING MADE IN THIRD ANGLE PROJECTION

THIS DRAWING IS A CONTROLLED DOCUMENT FOR AMP INCORPORATED. IT IS SUBJECT TO CHANGE AND THE CONTROLLING ENGINEERING ORGANIZATION SHOULD BE CONTACTED FOR THE LATEST REVISION.

LOC	DIST	P	F	LTR	DESCRIPTION	DATE	APPROVED
G	14			D	REVISED & REDRAWN PER G-5803	6/12/92	DKS / AJK

THIS DRAWING IS UNPUBLISHED. RELEASED FOR PUBLICATION BY AMP INCORPORATED. ALL INTERNATIONAL RIGHTS RESERVED. © COPYRIGHT 19



324202
PART NO

DO NOT SCALE PRINT. UNLESS SPECIFIED DIMENSIONS IN mm [IN] TOLERANCES ON:
 2 PLC DEC ± 0.20 [.008]
 3 PLC DEC ± -
 ANGLES ± -
 MATERIAL
 COPPER ASTM B-152 ANNEALED
 FINISH
 TIN PLATE
 0.00254 [.000100] MIN THK PER MIL-T-10727

DR 6/12/92
 DK SCHRUM
 CHK 6/26/92
 RD HEIM
 APPD 6/26/92
 AJ KAUFMAN
 APPD 6/26/92
 CR RHODAS
 PRODUCT SPEC
 -
 APPLICATION SPEC
 -
 WEIGHT -

AMP AMP Incorporated
 Harrisburg, PA 17105-3608

NAME
 TERMINAL, RING TONGUE, SOLISTRAND™
 WIRE SIZE: 203.0mm² [400] MCM

SIZE A	CAGE CODE 00779	DRAWING NO C-324202
SCALE 1:1	SHEET 1 of 1	