



Copyright FCI.

D

A

B

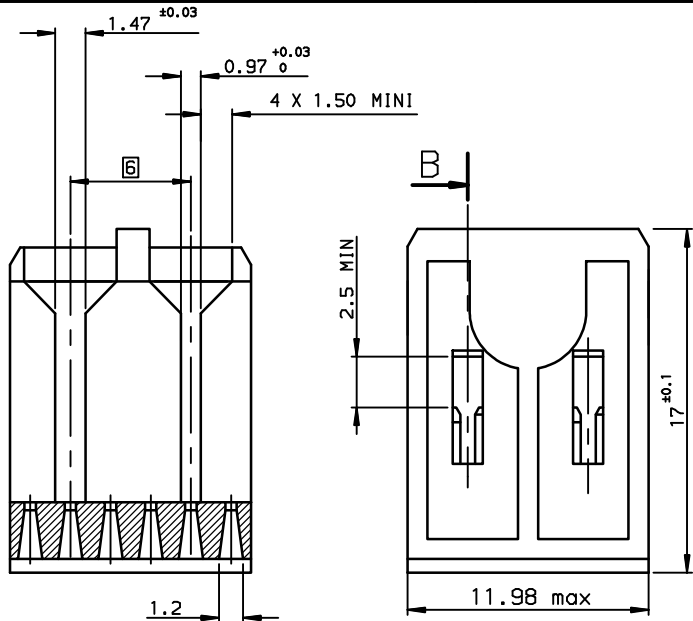
C

A

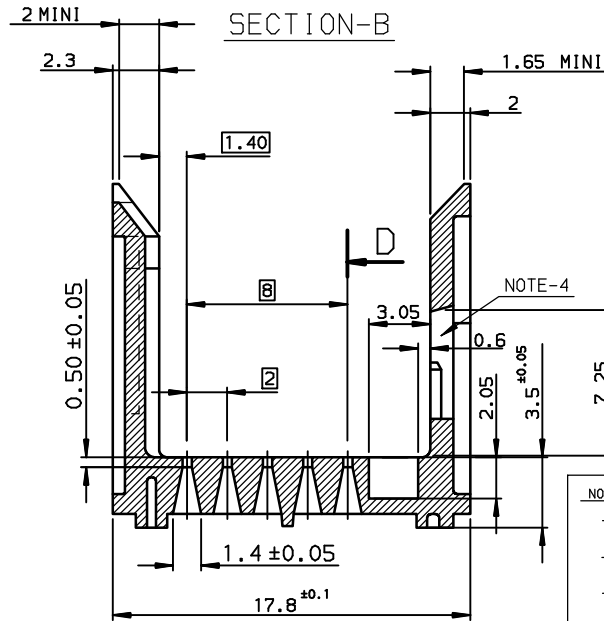
B

C

D



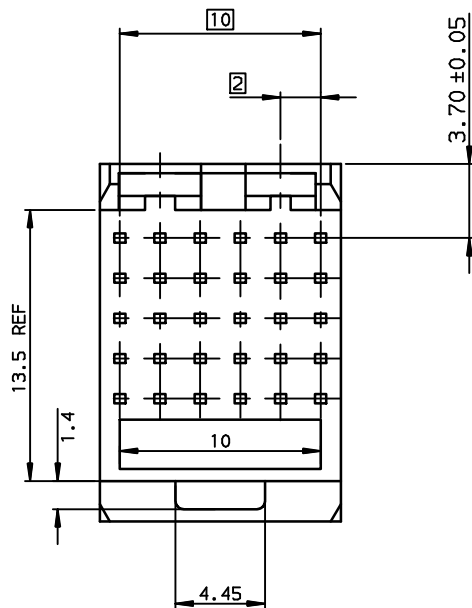
SECTION-D



SECTION-B

NOTE: RoHS INFORMATION

- The "LF" product meets European union Directives and other country regulations as described in 65-22-008.
- The product is not intended to be exposed to a manufacturing solder process.
- Packaging spec: see 65-14-920.



REDUCED SCALE SHEET

- NOTE-1: OTHER DIMENSIONS IN ACCORDANCE WITH IEC-48B-(S.296) SPECIFICATION
- NOTE-2: MATERIAL HIGH TEMPERATURE NATURAL COLOUR (LCP WITHOUT GLASS FIBER)
- NOTE-3: FORCE FIT CAVITIES FOR RETENTION WITH REAR PLUG-UP CONTACT PART
- NOTE-4: CAVITY FOR LATCHING AND CODING

STD VERSION

Part Number: HM13276 OR 52000-111

RoHS COMPATIBLE VERSION

Part Number: HM13276LF OR 52000-111LF

European Views

www.fciconnect.com		surface ISO 1302 ✓	tolerance std ISO 406 ISO 1101	projection mm	TOLERANCES UNLESS OTHERWISE SPECIFIED	
Dr	PERRICHOT	2002/11/19	ANGULAR	LINEAR	0.x ±0.1	size A3
Eng	TARON	2002/11/19	0.xx ±0.1	0.xxx ±0.1	Scale 4	ECN L506-0114
Chr	LEGARE	2002/11/19	0.xx' ±2'	0.xxx ±0.1	Spec ref -	
Appr	LEGARE	2002/11/19	Product family METRAL			
rev	ecn no	dr	date	title		Rev.
B	-	-	-	METRAL SHROUD 5 ROWS SPECIF		E
C	L505-0038	JTA	2005/04/26	WIDE BODY STAND-OFF 3.5mm		52000
D	L505-0066	JTA	2005/10/01	catalog no	CUSTOMER	sheet 1 of 1
E	L506-0114	LGO	2006/08/09			

REV F - 2006-04-17