



QLC Solderless Plug

A groundbreaking 260 pin Zero Insertion Force connector that eliminates the need for hand soldering fine pitch contacts onto printed circuit boards, significantly reducing time and cost in the assembly process.

The challenge

While partnering with some of the world's leading Med tech device companies ITT Cannon identified that the process of soldering high pin count Zero Insertion Force connectors to PCBs was leading to potential risks and inefficiencies in the overall assembly process. Hand soldering is a time consuming and costly process that introduces risks such as solder bridge and short circuits.

The solution

The new ITT Cannon QLC solderless plug eliminates the need for soldering by deploying a two card edge design with a slider that enables simple insertion and results in a high contact force connection to the PCB. Eliminating the soldering process reduces risk and can reduce assembly time by up to 15 percent and costs by up to 30 percent during the PCB assembly process.

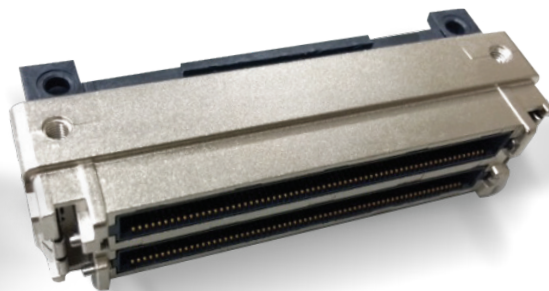
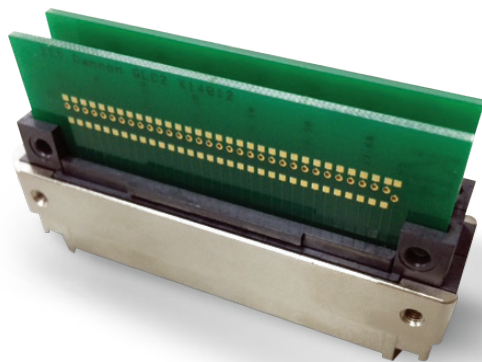
Derived from the existing marketing leading QLC product range, the new QLC solderless plug is fully intermateable with existing receptacles and delivers the ultimate in performance that the range is widely recognized for.

The CANNON Difference:

- Unique leading edge technology
- Addressing current market 'pain points'
 - Eliminates risk of solder bridge and short circuits during solder process
 - Eliminates the flux cleaning process after soldering
- Enabling significant productivity increases and cost of ownership reductions

Features:

- Over 20K mating cycles
- 260 pin configuration
- Fully intermateable design
- Zero Insertion Force technology
- Two card edge design enables...
 - Simple manual insertion to PCB assembly
 - Stable, high contact force connection to PCB



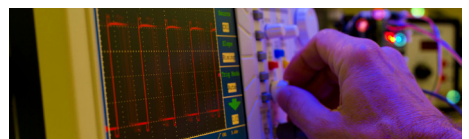
Applications



PORTABLE & CONSOLE ULTRASOUND



ADVANCED IMAGING EQUIPMENT

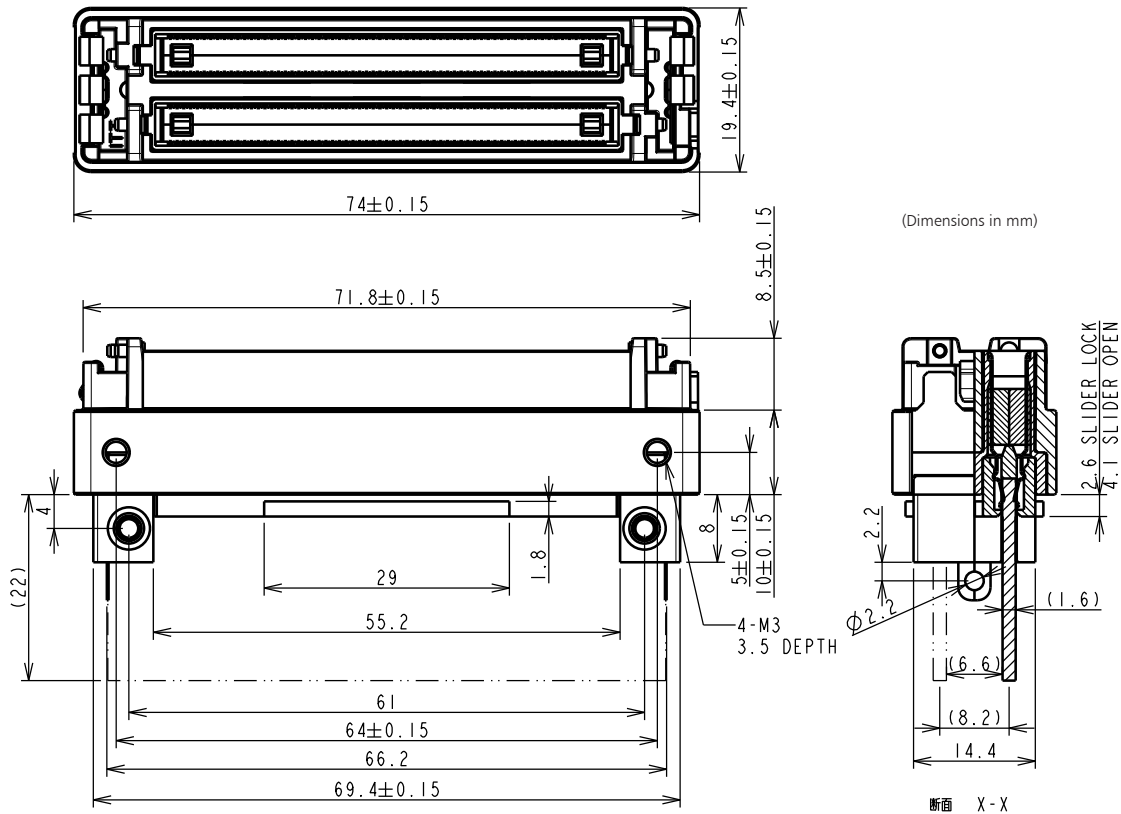


INDUSTRIAL TEST EQUIPMENT

ITT Cannon - QLC Solderless Plug

How to Order	Product Line	Part No	Part Description
	QLC	127050-0573	QLC260P (solderless plug)

Dimension Drawings



[Download the 3D model for QLC Solderless Plug from ittcannon.com](http://ittcannon.com)

Why ITT Cannon

ITT is a focused, multi-industrial company that designs and manufactures highly engineered critical components and customized technology solutions.

ITT Interconnect Solutions' Cannon brand is a leading global manufacturer of connector products serving international customers in the aerospace and defense, medical, energy, transportation and industrial end markets. ITT's Interconnect Solutions business manufactures and supplies a variety of connectors and interconnects that make it possible to transfer data, signal and power in an increasingly connected world, including its VEAM and BIW Connector Systems brands.

Connect with your ITT Interconnect Solutions representative today or visit us at www.ittcannon.com

China - Shenzhen City
tel: +86.755.2726.7888

Germany - Weinstadt
tel: +49.7151.699.0

Hong Kong
tel: +852.2732.2720

Italy - Lainate
tel: +39.02938721

Japan - Kanagawa
tel: +81.462.57.2010

Korea - Seoul
tel: +82.2.7027111

Taiwan - Taipei
tel: +886.2.25452020

UK - Basingstoke
tel: +44.1256.311200

USA - Orange County, CA
tel: +1.800.854.3028

USA - Watertown, CT
tel: +1.860.274.9681