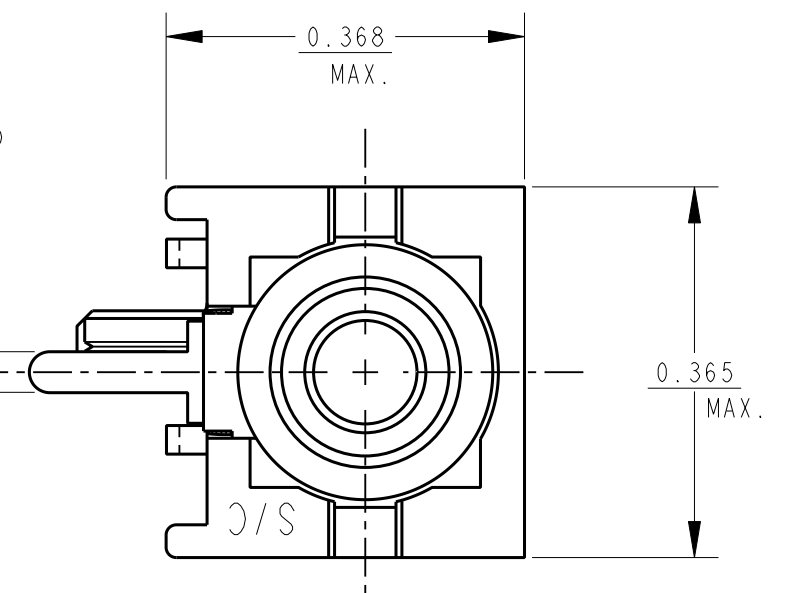
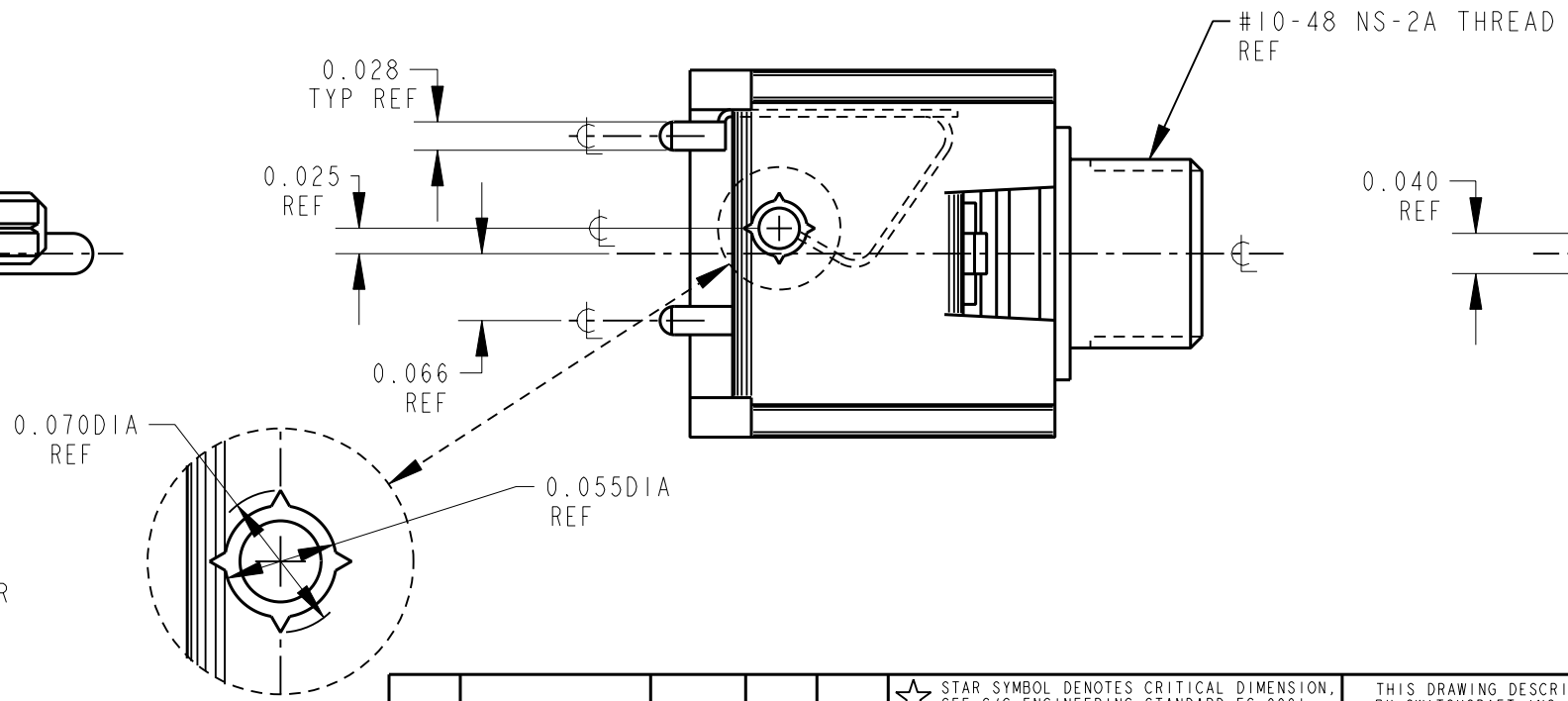
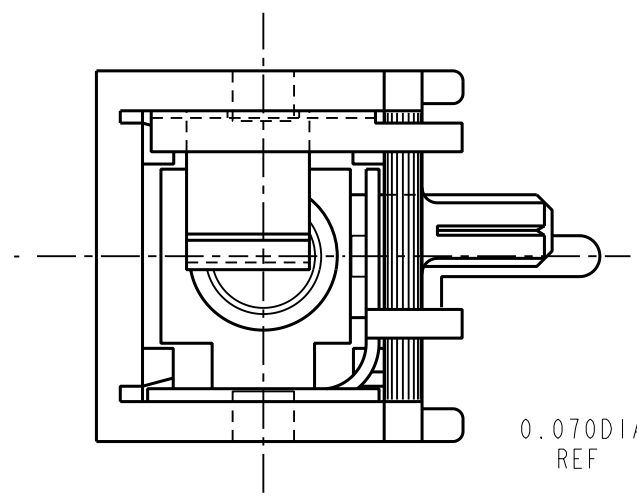
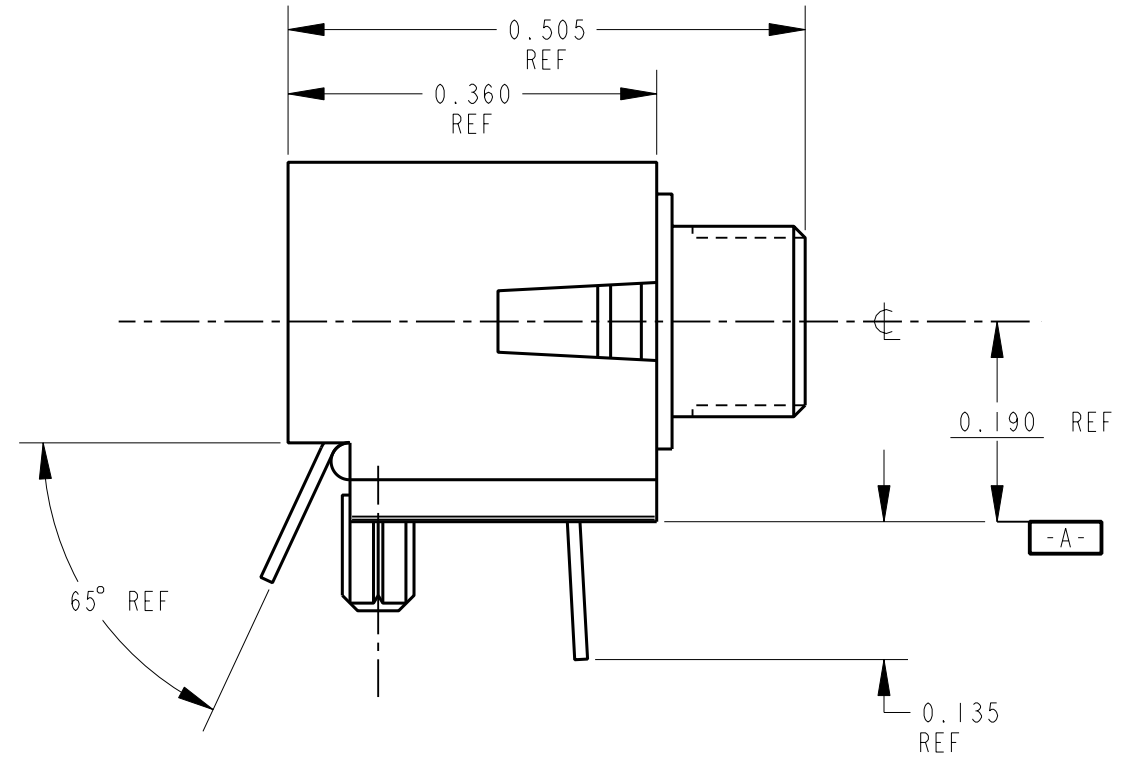


RECOMMENDED FOOTPRINT
COMPONENT SIDE
SCALE = 8 : 1



CUSTOMER DRAWING
CAD/CAM DWG. NO.
s.mdp21ra_cd
SHEET 1 OF 1

- NOTES:
- MATERIAL AND FINISHES:
 - PLASTIC TO BE LIQUID CRYSTAL POLYMER U.L. RECOGNIZED 94 V-0.
 - THREADED BUSHING: BRASS ALLOY NICKEL PLATED.
 - TIPSPRING: PHOS. BRONZE ALLOY
 - SELECTIVE PLATE: NICKEL AND TIN-LEAD.
 - SLEEVE/GROUND TERMINAL, BRASS ALLOY TIN-LEAD W/NICKEL UNDERPLATE.

ISSUE	CHANGE NO.	DATE	BY	APP'D
A	FIRST DRAWN	3-24-94	ES	GHJ
REVISIONS				

★ STAR SYMBOL DENOTES CRITICAL DIMENSION, SEE S/C ENGINEERING STANDARD ES-0001

UNLESS OTHERWISE SPECIFIED

- ALL DIMENSIONS IN INCHES
- DECIMAL DIMENSIONS ±.005
- FRACTIONAL DIMENSIONS ±1/64
- ANGLES ±1/2°
- ALL DIA'S CONCENTRIC WITHIN .005 T.I.R.
- REMOVE ALL BURRS
- MAKE NO DIMENSIONAL ALLOWANCES FOR APPLIED FINISHES, I.E., PLATING, PAINTING, ETC.
- HOLES ON THE SAME CENTERLINE MUST BE ALIGNED WITHIN ±.002

DO NOT SCALE DRAWING

THIS DRAWING DESCRIBES A DESIGN CONSIDERED PROPRIETARY IN NATURE, DEVELOPED AND MANUFACTURED BY SWITCHCRAFT INC. AND IS RELEASED ON A CONFIDENTIAL BASIS FOR IDENTIFICATION PURPOSE ONLY.			
SIZE	WIDTH	MULT	LBS./M
FINISH		MATERIAL	
SPEC. NO.		SPEC. NO.	
FIRST USED ON		SCALE	
		1 : 1.875	
DATE DRAWN	BY	CHK'D	APP'D
3-24-94	ES	BMD 4-19-94	GHJ 4-19-94
NAME		PART NO.	
MICRO JACK		MDP21RA	
			ISSUE
			A

