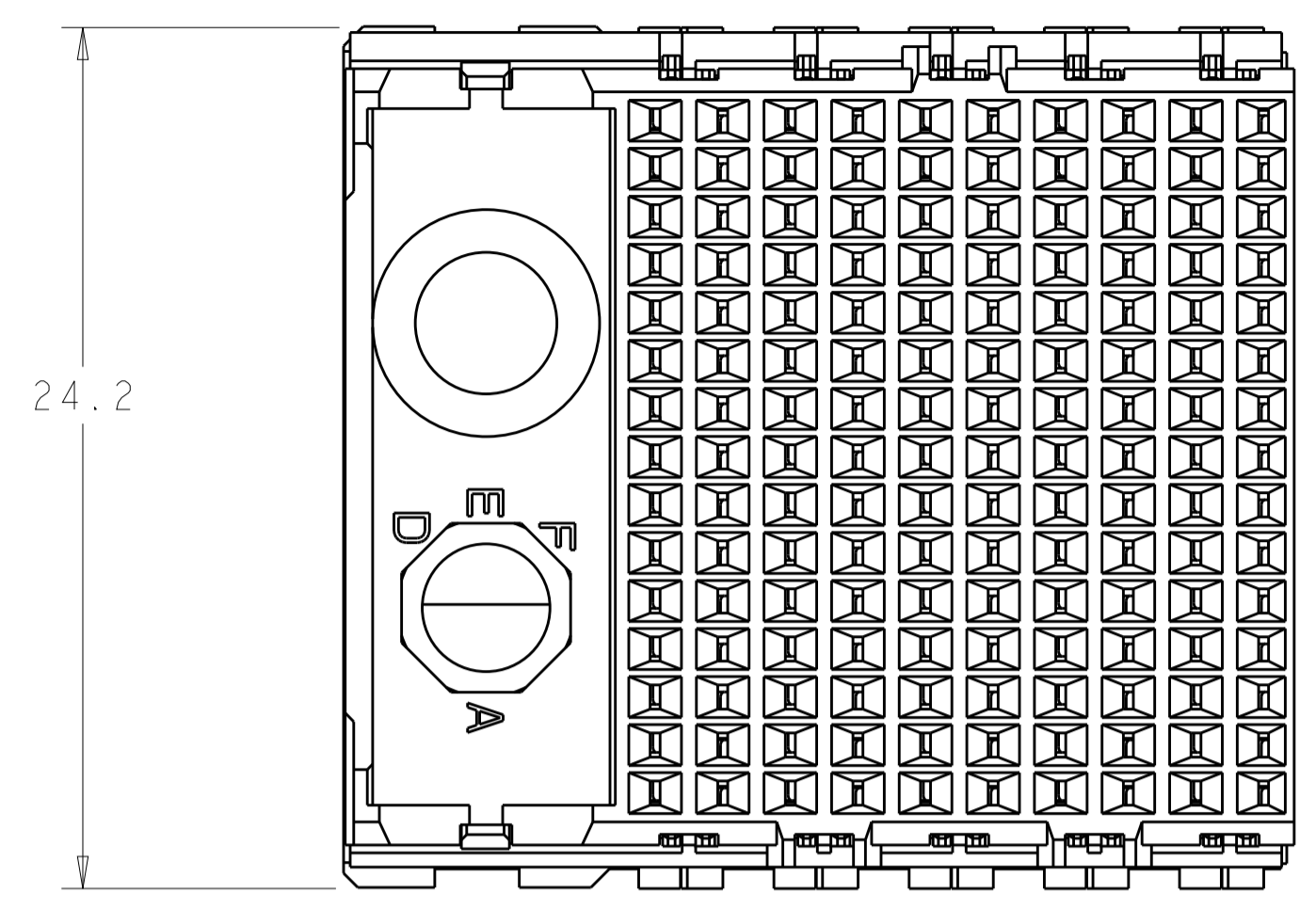
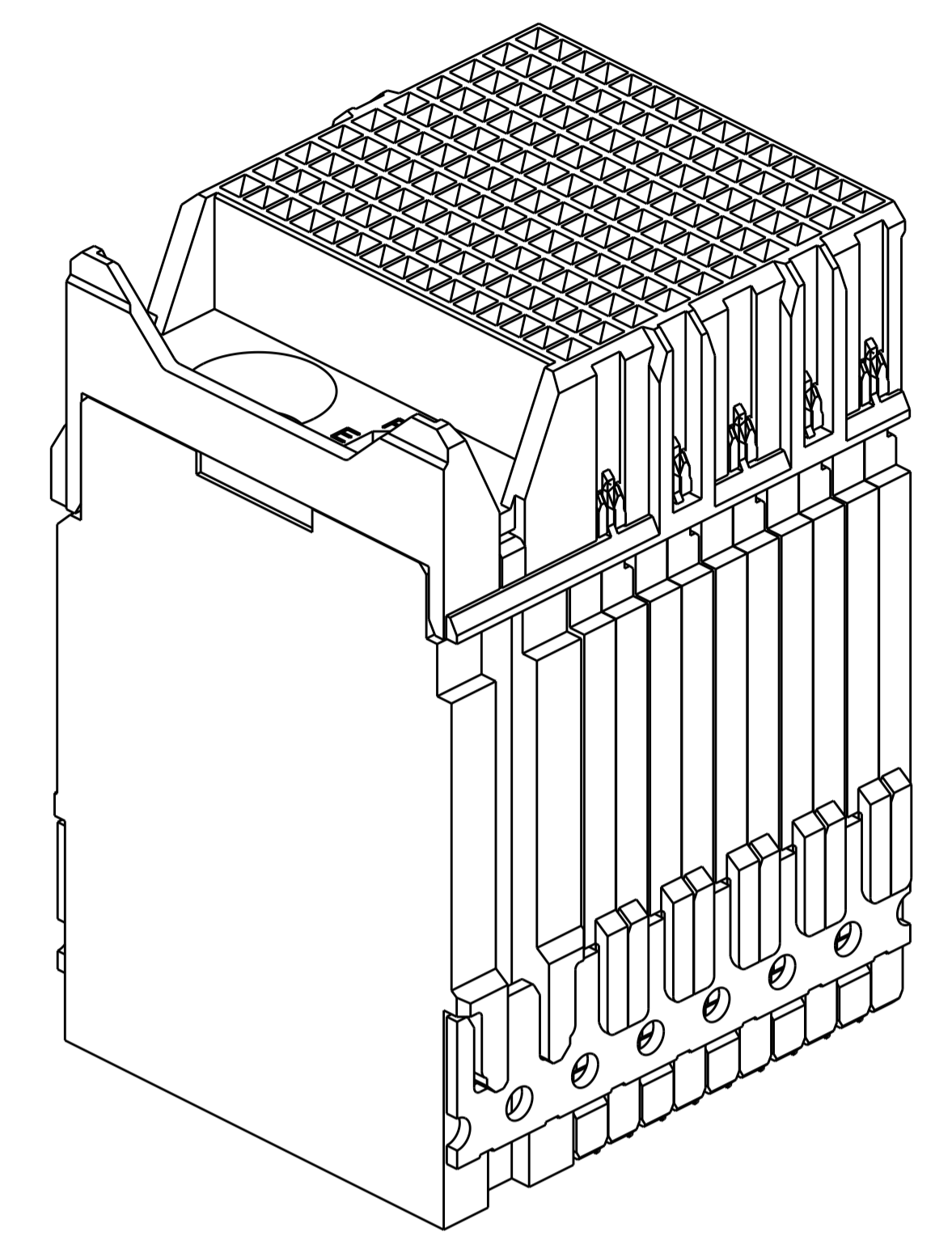


LOC		DIST		REVISIONS			
AD	00	P	LTN	DESCRIPTION	DATE	DWN	APVD
		A		REVISED PER ECO-13-009970	09JUL2013	KH	DD

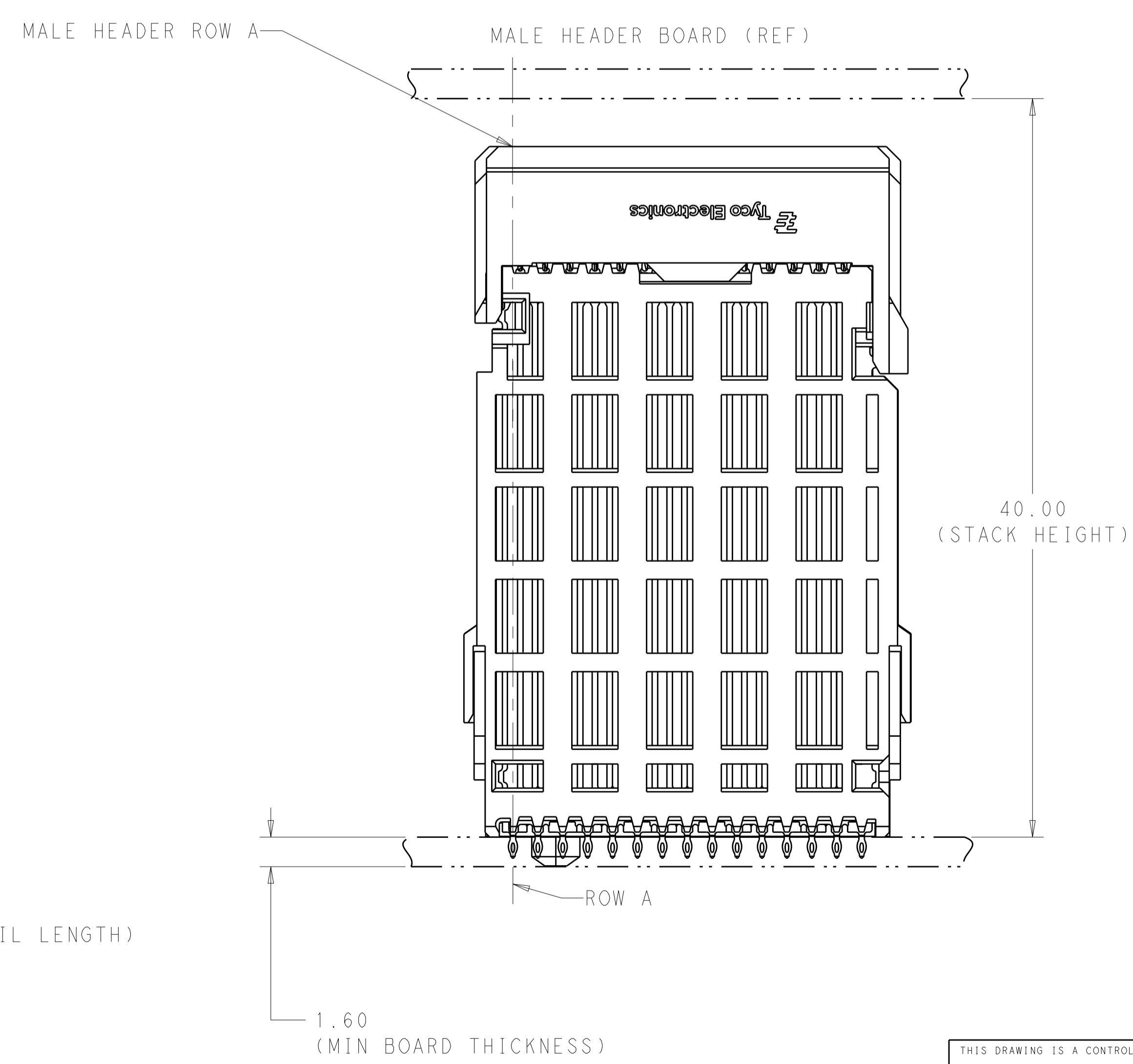
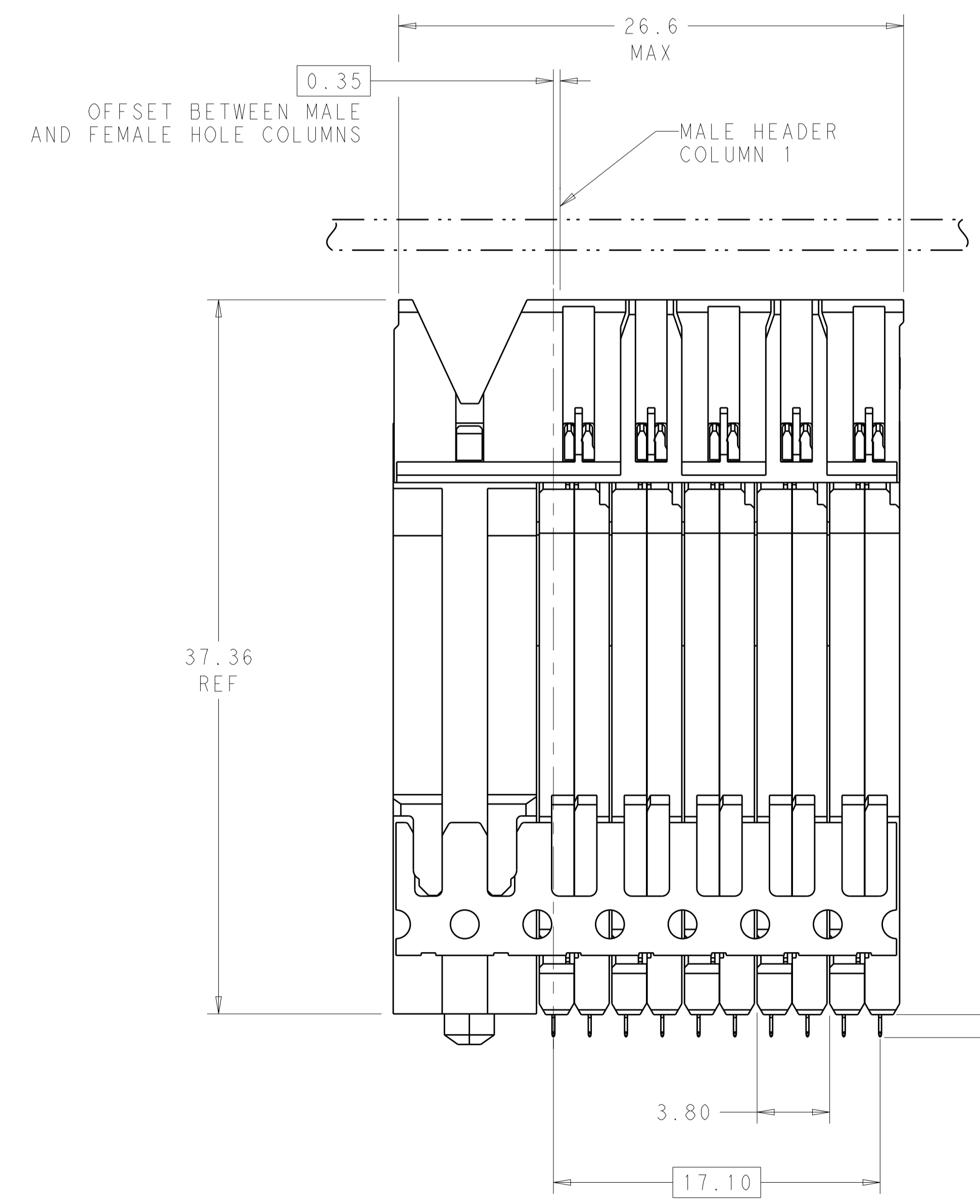


- 1 MATERIAL:  
HOUSING: LCP, GLASS FILLED, UL94V-0.  
TERMINALS: HIGH PERFORMANCE COPPER ALLOY.
- 2 FINISH:  
30μ" SELECTIVE GOLD IN CONTACT AREA. SELECTIVE TIN  
ON PCB TAILS, NICKEL OVERALL.
- 3 FINISH:  
30μ" SELECTIVE GOLD IN CONTACT AREA. SELECTIVE TIN-LEAD  
ON PCB TAILS, NICKEL OVERALL.
- 4. CONNECTORS SUPPLIED WITH MOUNTING SCREW.



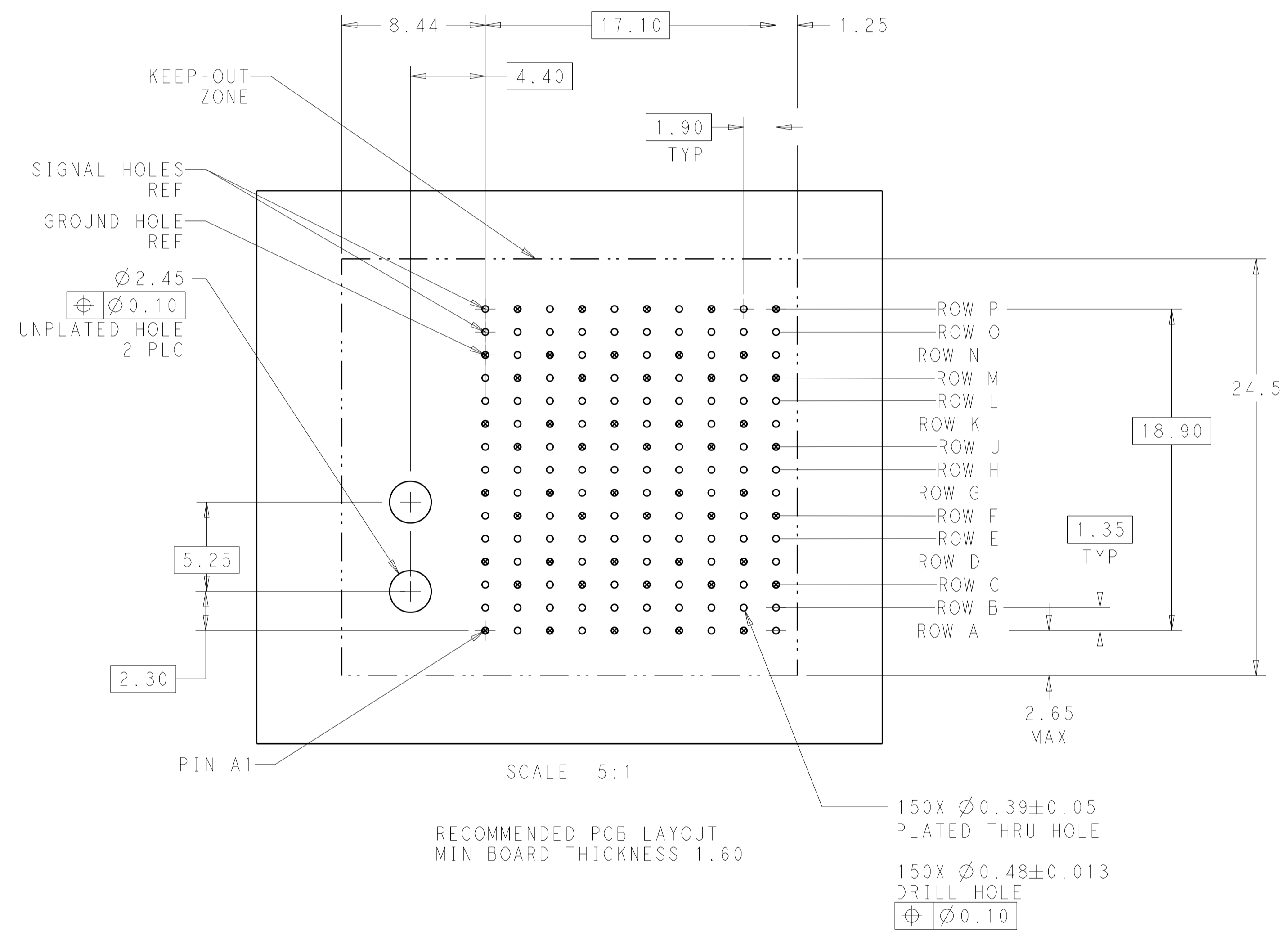
SCALE 4:1

REFER TO WWW.TE.COM  
FOR PRODUCT AVAILABILITY



THIS DRAWING IS A CONTROLLED DOCUMENT.		DWN J. K. SHOBER 20SEP2010													
DIMENSIONS: mm		CHK D. DIXON 20SEP2010													
TOLERANCES UNLESS OTHERWISE SPECIFIED:		APVD D. DIXON 20SEP2010	NAME IMPACT, 5 PAIR, DAUGHTERCARD, 40mm 10 COLUMN, LEFT GUIDED, SIGNAL MODULE, 0.39 EYELET												
<table border="1"> <tr> <td>0 PLC</td> <td>±</td> </tr> <tr> <td>1 PLC</td> <td>±0.25</td> </tr> <tr> <td>2 PLC</td> <td>±0.10</td> </tr> <tr> <td>3 PLC</td> <td>±</td> </tr> <tr> <td>4 PLC</td> <td>±</td> </tr> <tr> <td>ANGLES</td> <td>±1/2°</td> </tr> </table>		0 PLC	±	1 PLC	±0.25	2 PLC	±0.10	3 PLC	±	4 PLC	±	ANGLES	±1/2°	PRODUCT SPEC	SIZE
0 PLC	±														
1 PLC	±0.25														
2 PLC	±0.10														
3 PLC	±														
4 PLC	±														
ANGLES	±1/2°														
MATERIAL		APPLICATION SPEC	CAGE CODE												
FINISH SEE TABLE		WEIGHT	DRAWING NO												
Customer Drawing		SCALE	RESTRICTED TO												

LOC		DIST		REVISIONS			
P	LTN	DESCRIPTION	DATE	DMN	APVD		
-	-	SEE SHEET 1	-	-	-		



KEY POSITION CHART	
	NONE

H		8-2149911-5
G		7-2149911-5
F		6-2149911-5
E		5-2149911-5
D		4-2149911-5
C		3-2149911-5
B		2-2149911-5
A		1-2149911-5
NONE		2149911-5
H		8-2149911-1
G		7-2149911-1
F		6-2149911-1
E		5-2149911-1
D		4-2149911-1
C		3-2149911-1
B		2-2149911-1
A		1-2149911-1
NONE		2149911-1
KEY POSITION	FINISH	PART NUMBER

THIS DRAWING IS A CONTROLLED DOCUMENT.

DIMENSIONS:	TOLERANCES UNLESS OTHERWISE SPECIFIED:	DMN J.K. SHOBER Z0SEP2010	TE Connectivity NAME IMPACT, 5 PAIR, DAUGHTERCARD, 40mm 10 COLUMN, LEFT GUIDED, SIGNAL MODULE, 0.39 EYELET
mm	0 PLC ± 1 PLC ±0.25 2 PLC ±0.10 3 PLC ± 4 PLC ±	CHK D. DIXON Z0SEP2010	
	ANGLES ±1/2°	APVD D. DIXON Z0SEP2010	PRODUCT SPEC
MATERIAL	FINISH SEE TABLE	WEIGHT	APPLICATION SPEC
		Customer Drawing	SIZE CAGE CODE DRAWING NO RESTRICTED TO A100779C=2149911
		SCALE 5:1	SHEET 2 OF 2 REV A